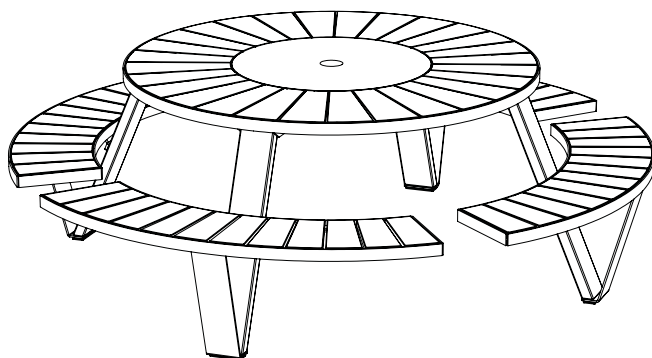


# Pantagruel

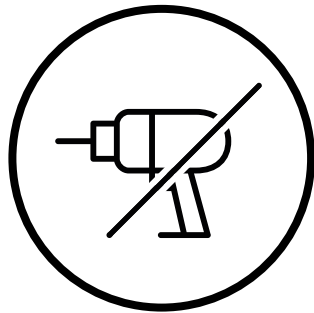
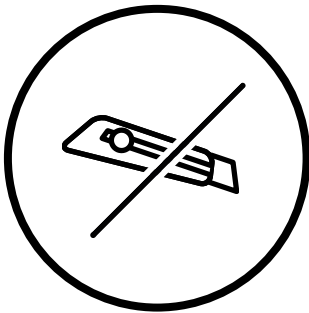
picnic

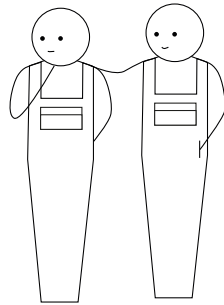
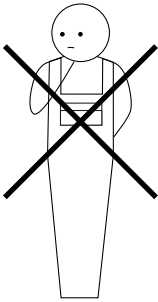
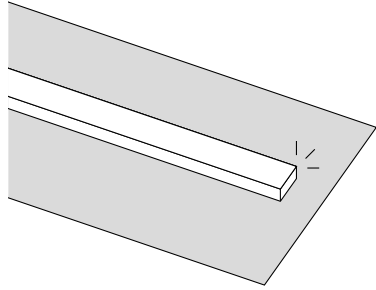
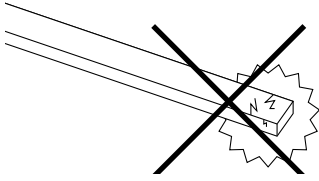


**extremis®**



**IMPORTANT! RETAIN FOR FUTURE  
REFERENCE: READ CAREFULLY.**





# Table of contents <sup>1/2</sup>

**Mounting kit <sup>↗</sup>**

---

**Exploded view <sup>↗</sup>**

---

**Assembly Pantagruel picnic <sup>↗</sup>**

---

**Assembly backrest <sup>↗</sup>**

**This is an interactive PDF**

You can easily navigate through this manual, allowing you to smoothly jump from one page to the other.

# Table of contents <sup>2/2</sup>

**Assembly with Inumbra <sup>↗</sup>**

---

**Assembly with Inumbria <sup>↗</sup>**

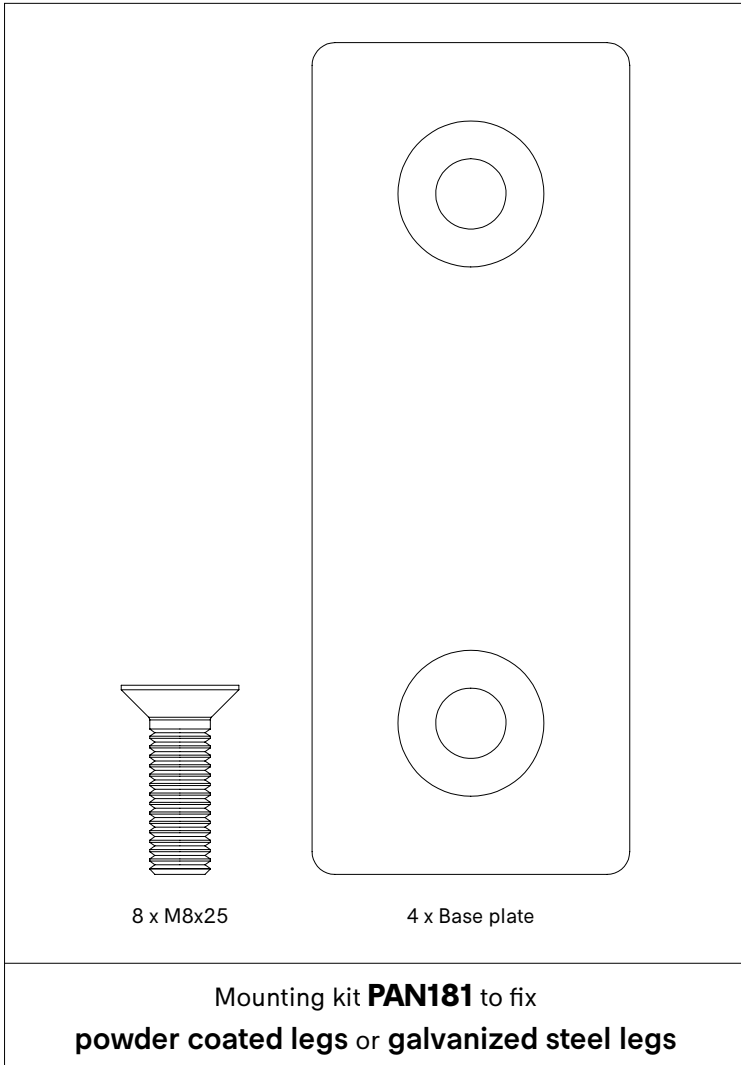
---

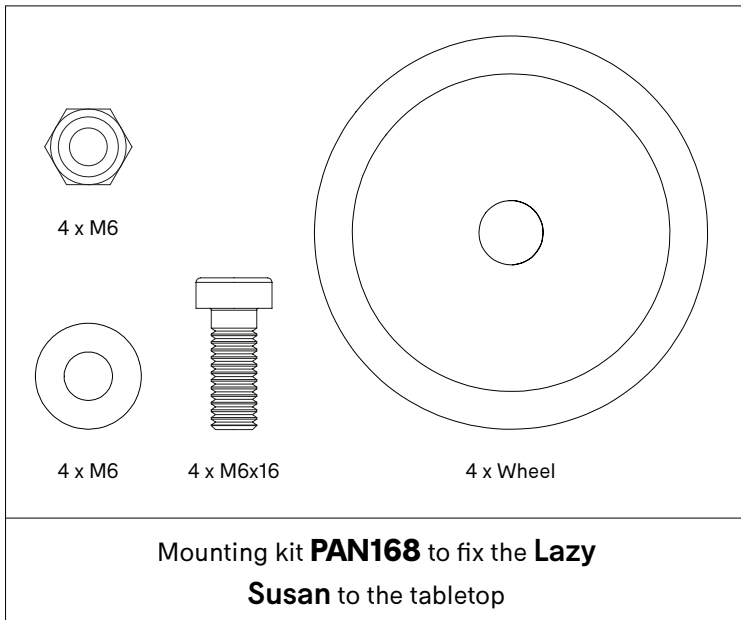
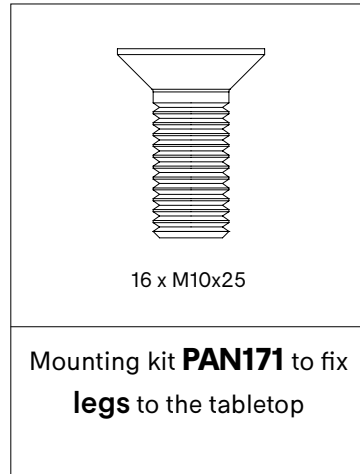
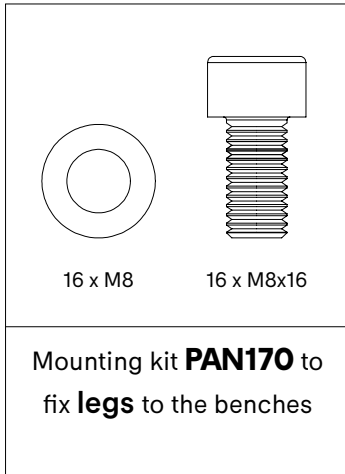
**Warnings - Text instructions -  
Maintenance <sup>↗</sup>**

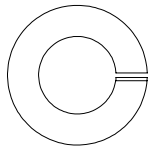
## **This is an interactive PDF**

You can easily navigate through this manual, allowing you to smoothly jump from one page to the other.

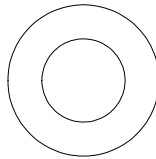
# Mounting kit



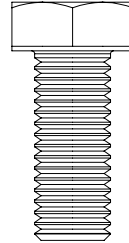




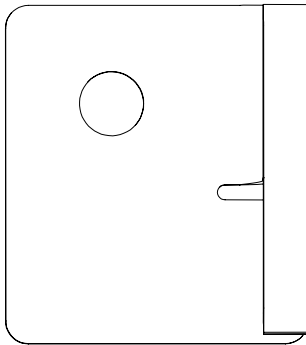
4 x M10



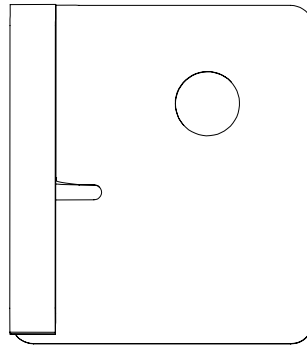
4 x M10



4 x M10x25



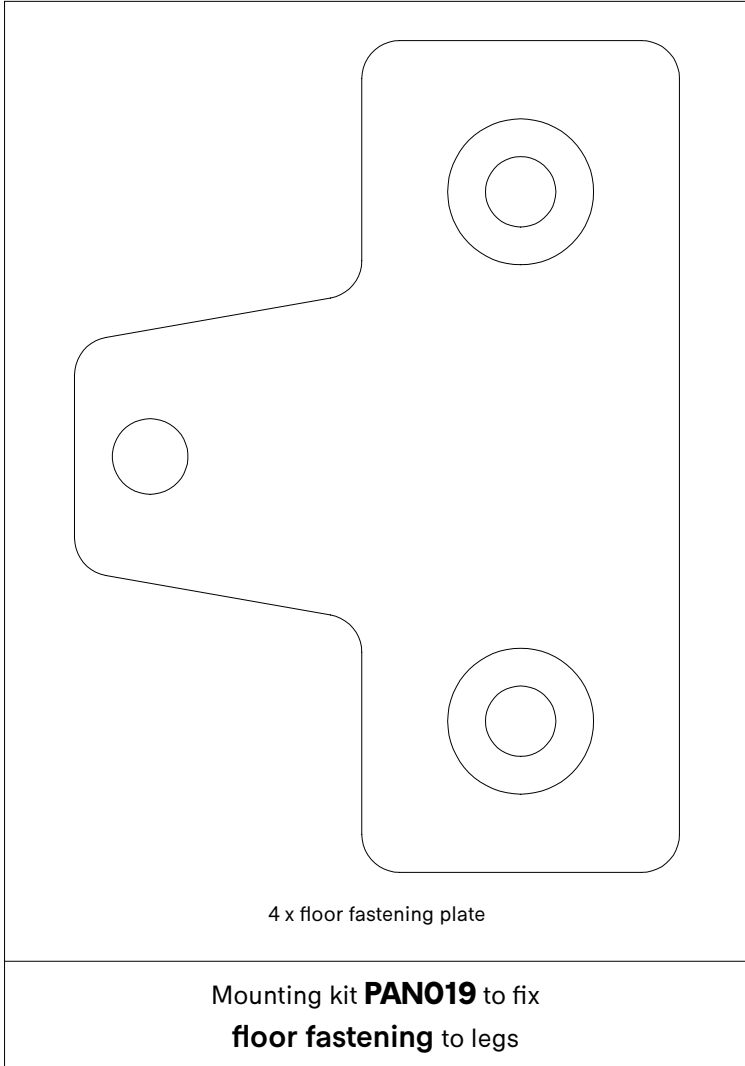
2 x Left clip



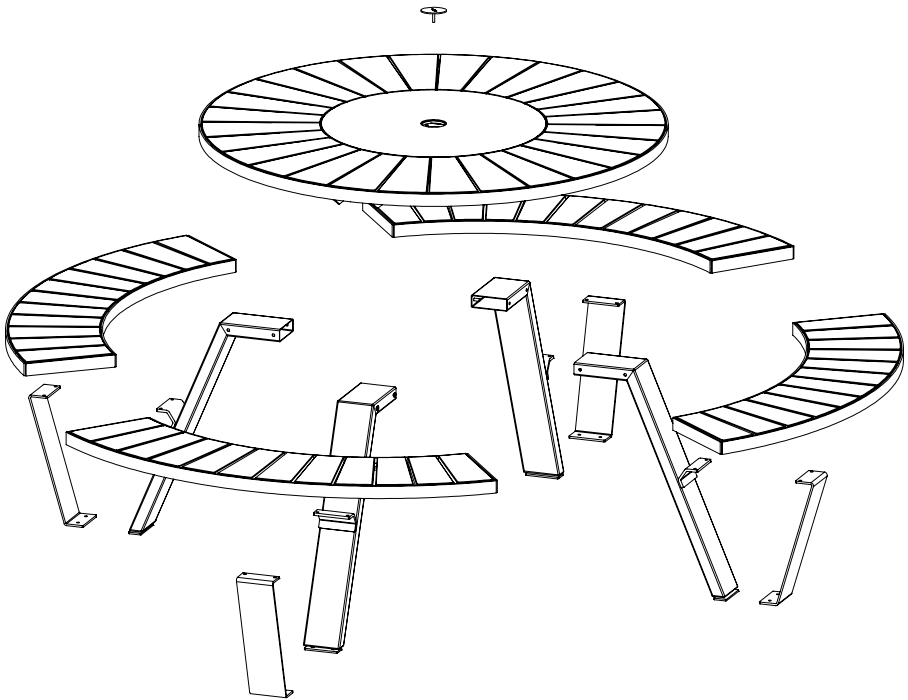
2 x Right clip

Mounting kit **PAN183** to fix  
**backrest** to bench





# Exploded view



# Pantagruel picnic

1.

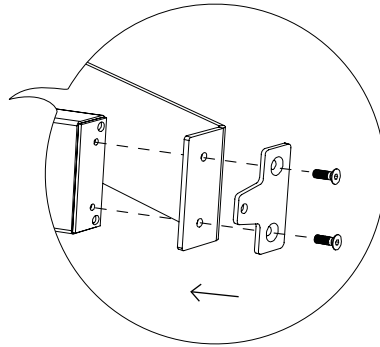
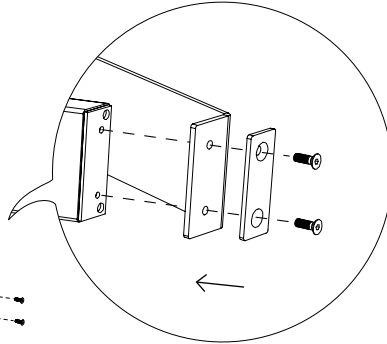
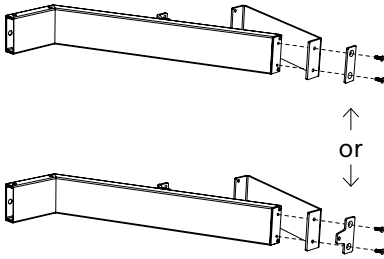
N° 4/5/6



N° 13

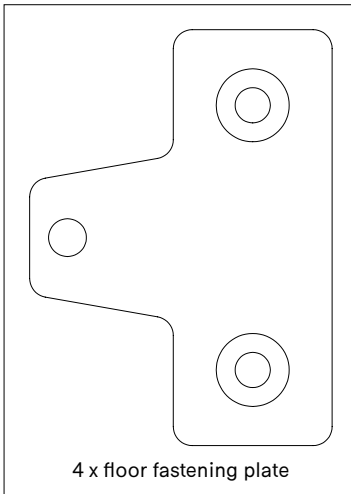


45'



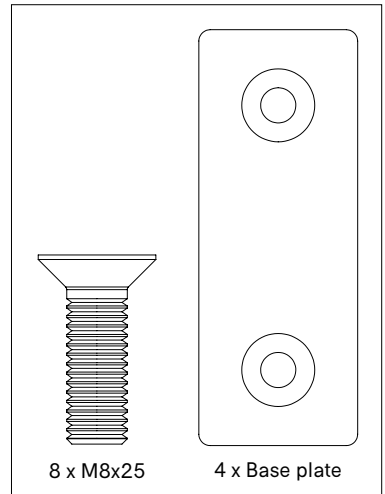
**Do not tighten yet!**

**PAN019**



4 x floor fastening plate

**PAN181**

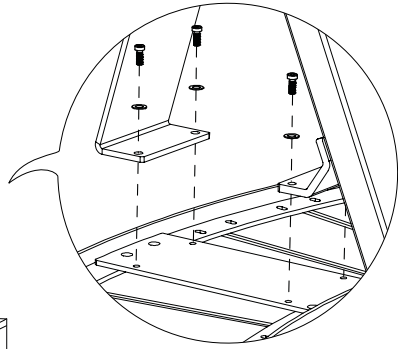
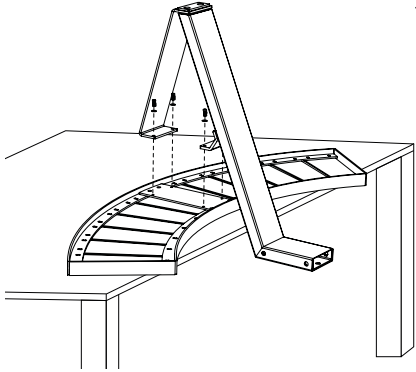


8 x M8x25

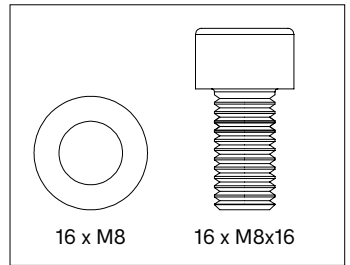
4 x Base plate

or

2.

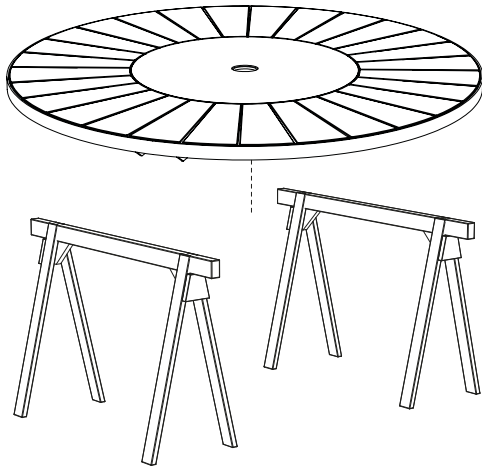


**PAN170**

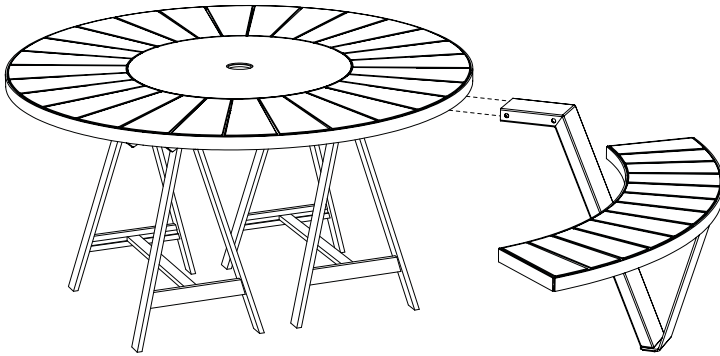
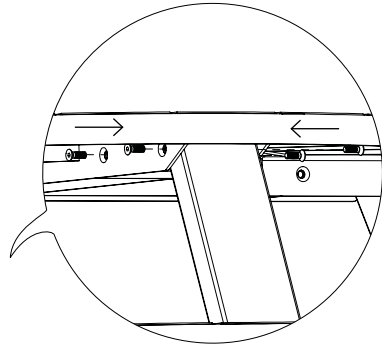


**Tighten all bolts, also from step 1**

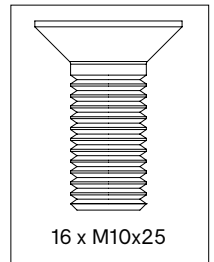
3.



4.

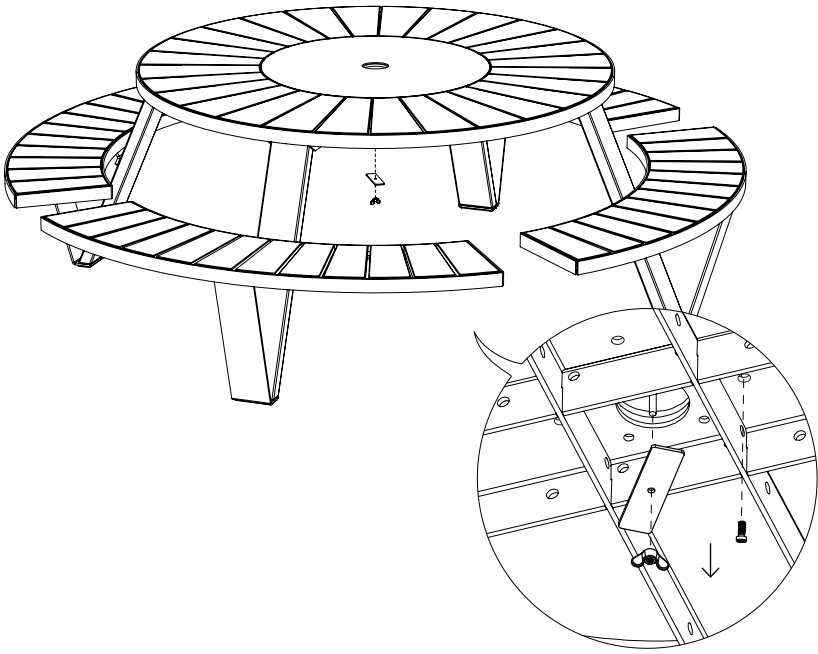


**PAN171**

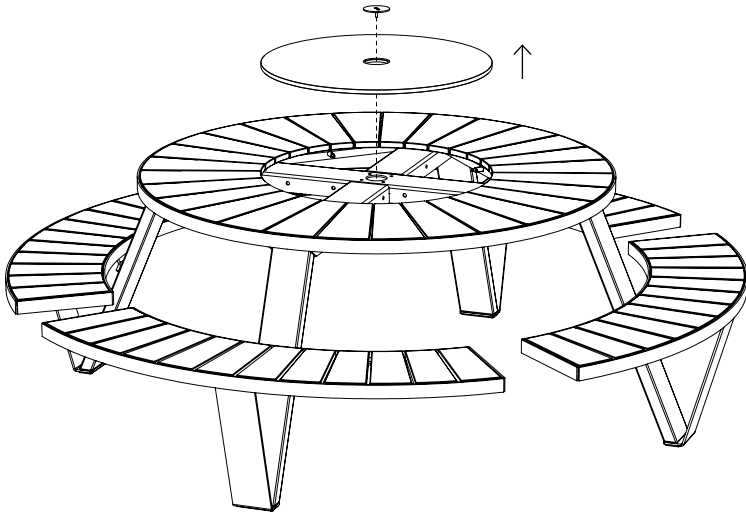


**After assembling the first leg, mount the opposite leg to maintain balance**

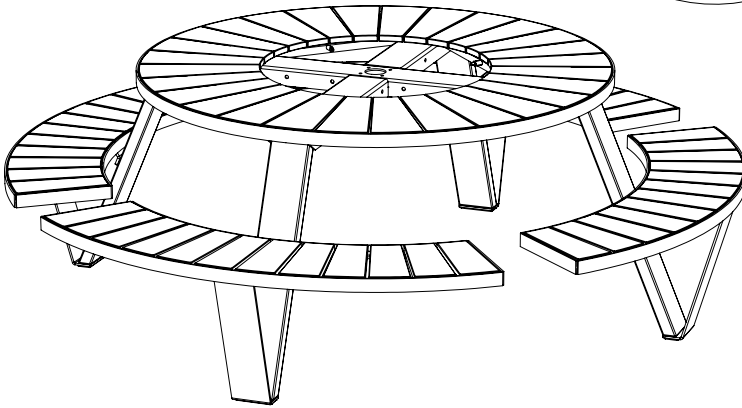
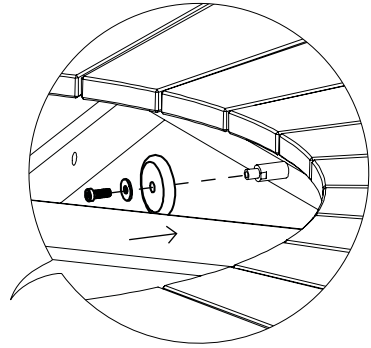
5.



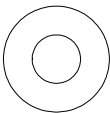
6.



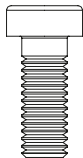
7.



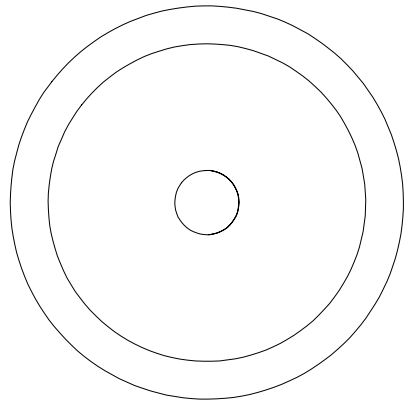
**PAN168**



4 x M6

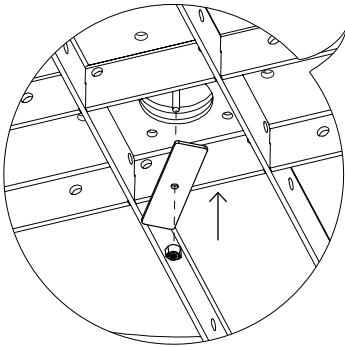
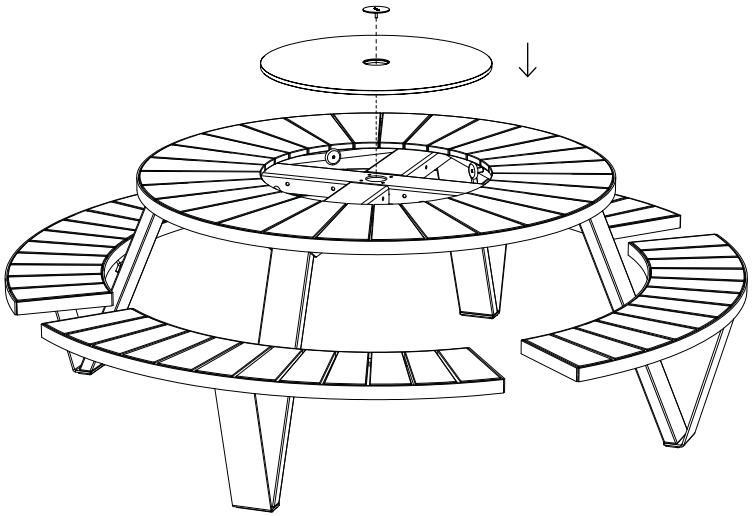


4 x M6x16



4 x Wheel

8.



**PAN168**



4 x M6



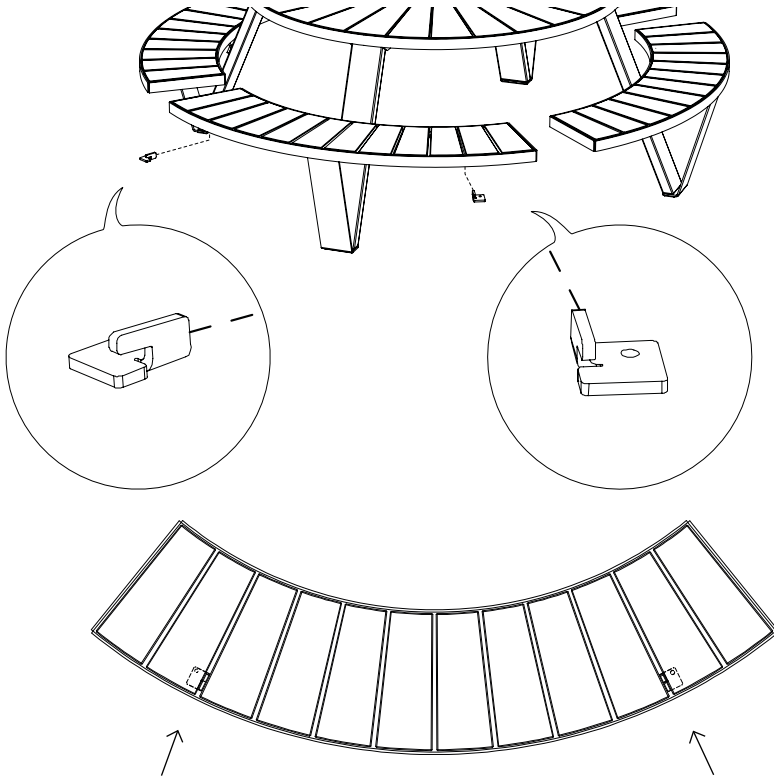
# Backrest

1.

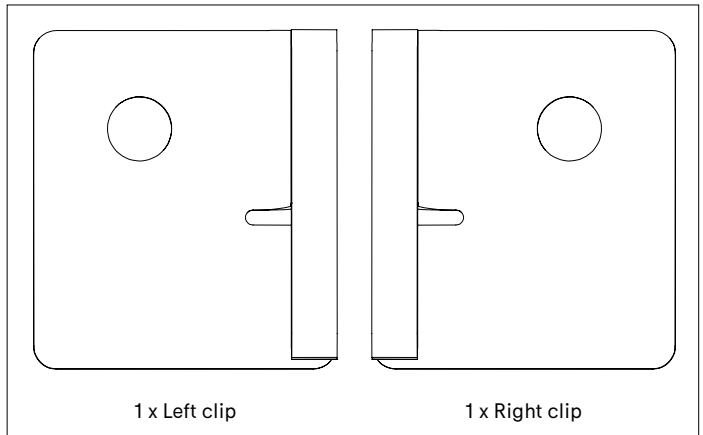
N° 17



10'



**PAN183**

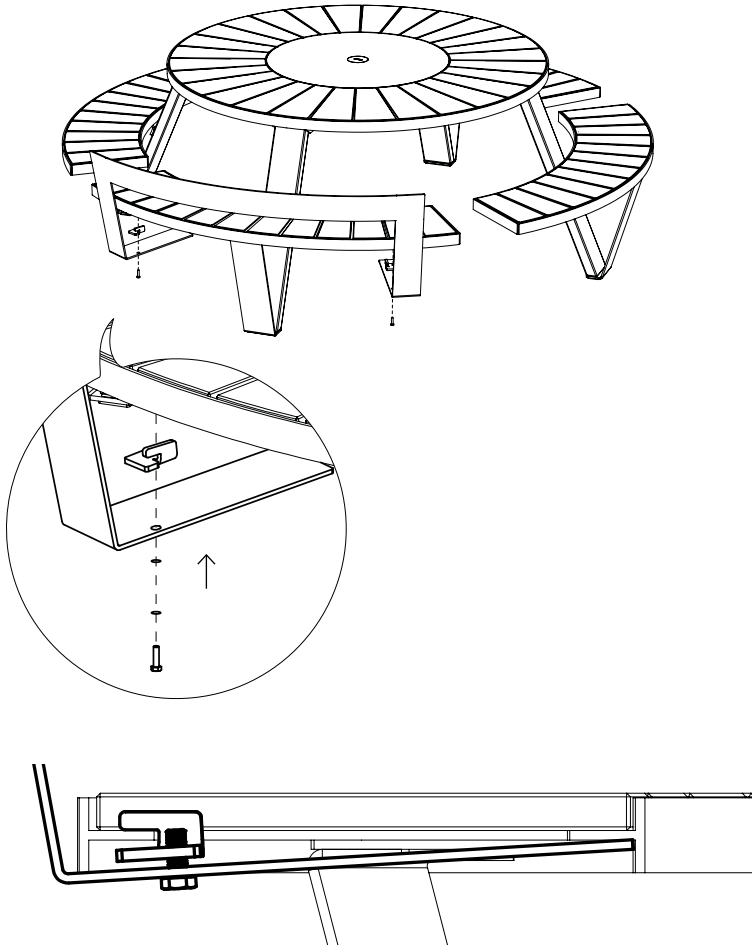


1 x Left clip

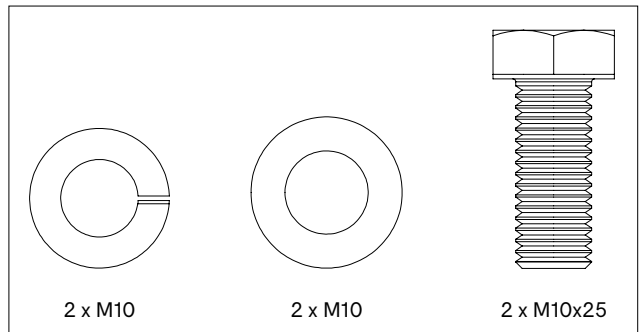
1 x Right clip



2.



**PAN183**



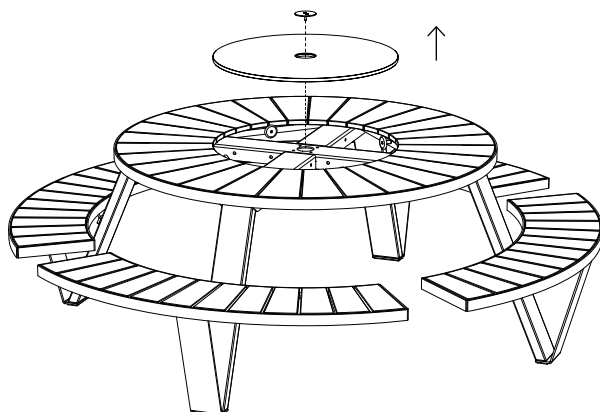
# With Inumbra

1.

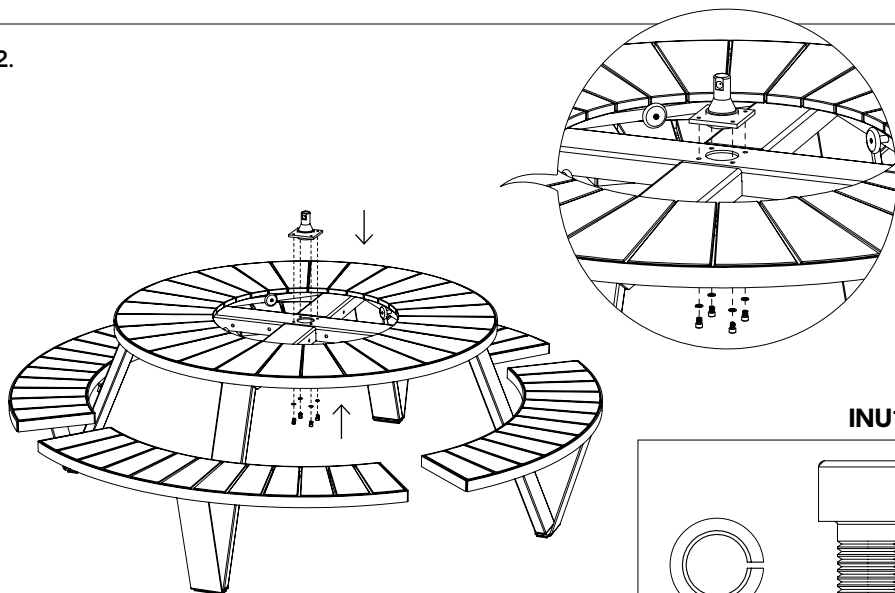
N° 5



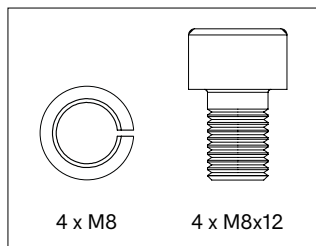
20'



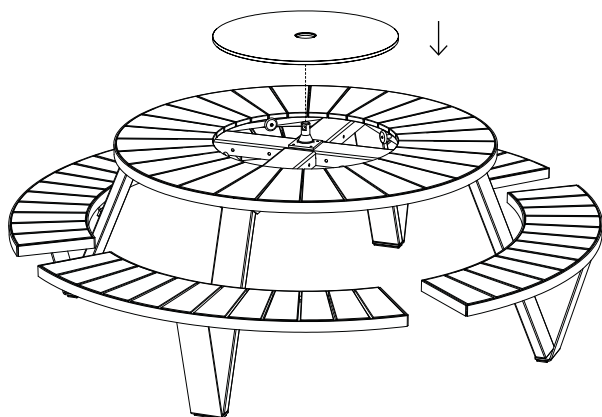
2.



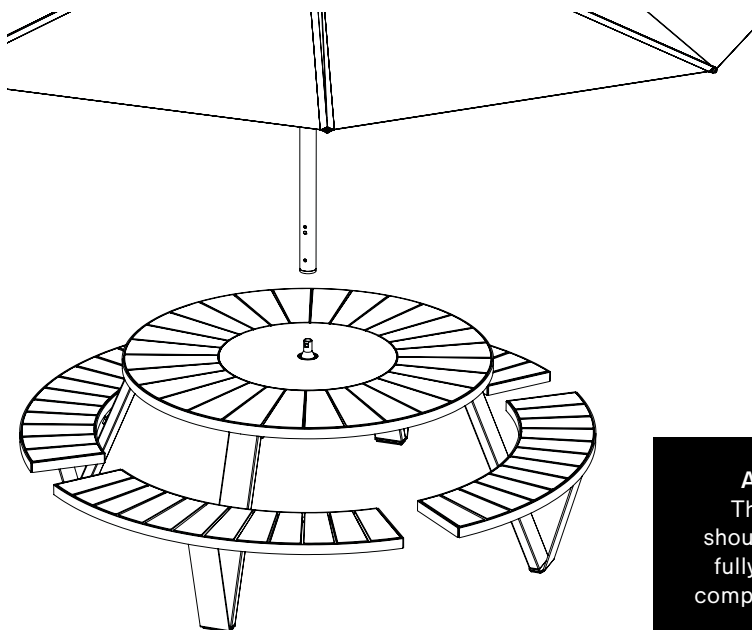
**INU183**



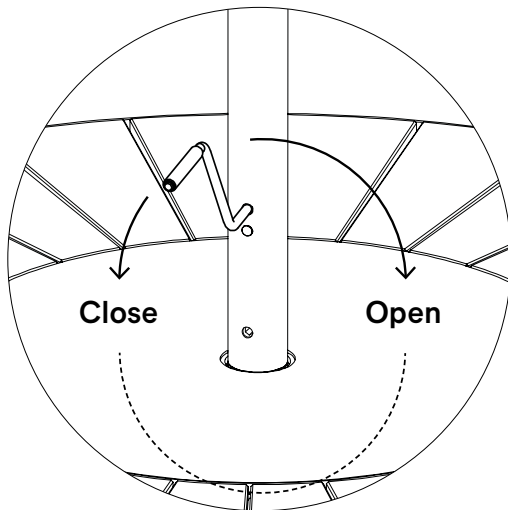
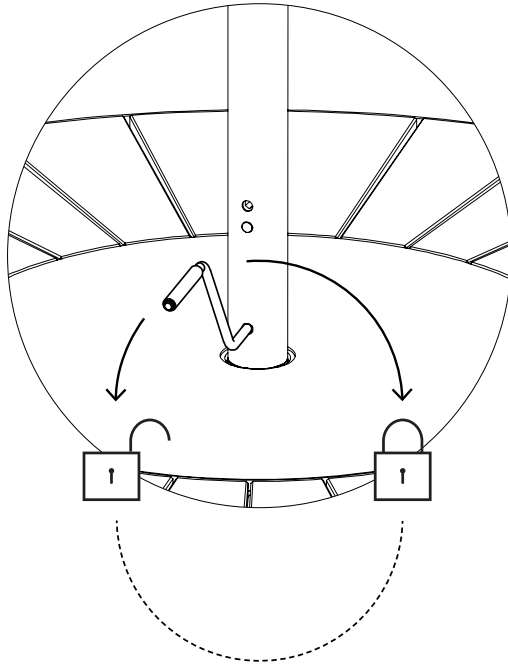
3.



4.



**Attention!**  
The parasol should always be fully opened or completely closed!



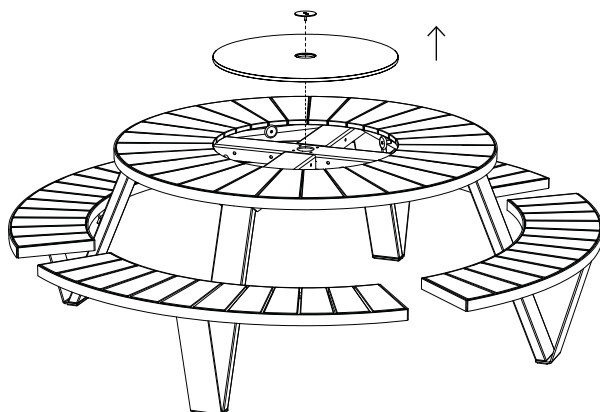
# With Inumbrina

1.

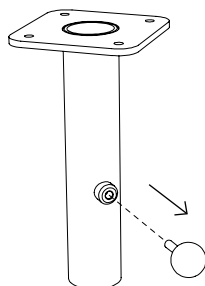
N° 5



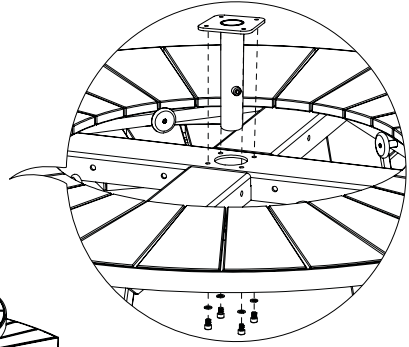
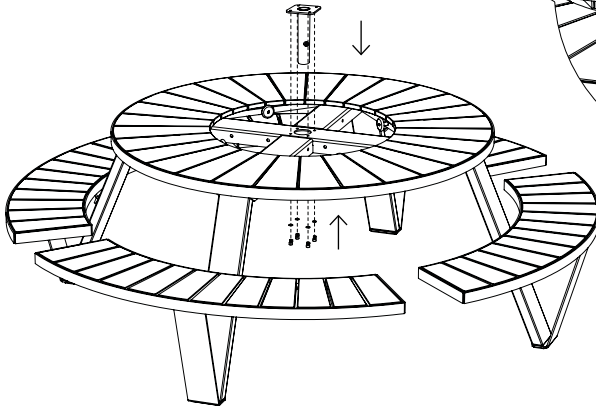
20'



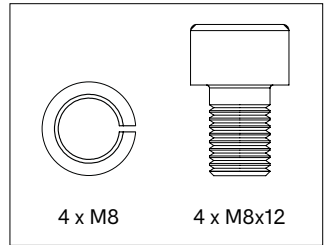
2.



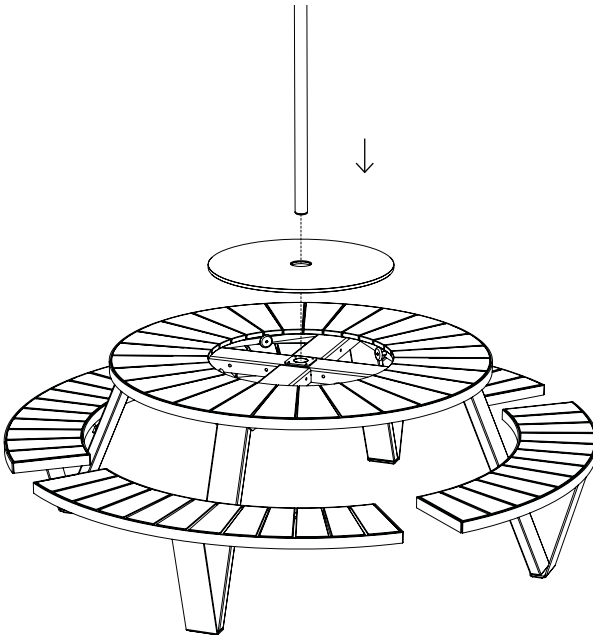
3.



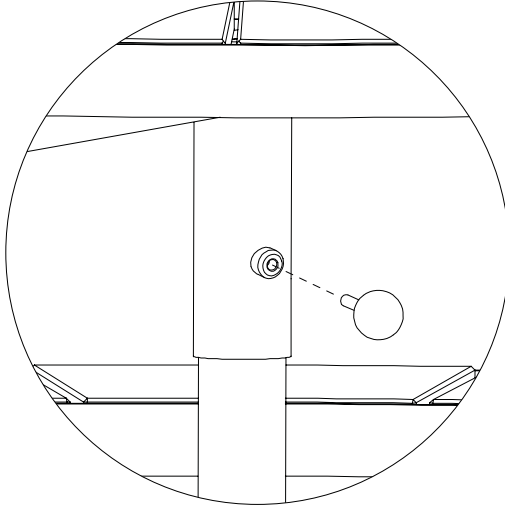
**INU183**



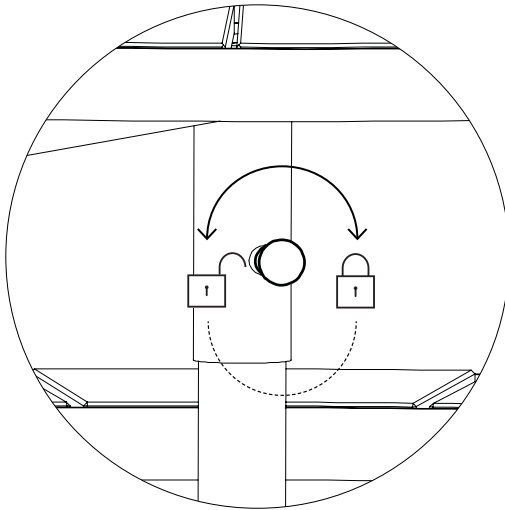
4.



5.

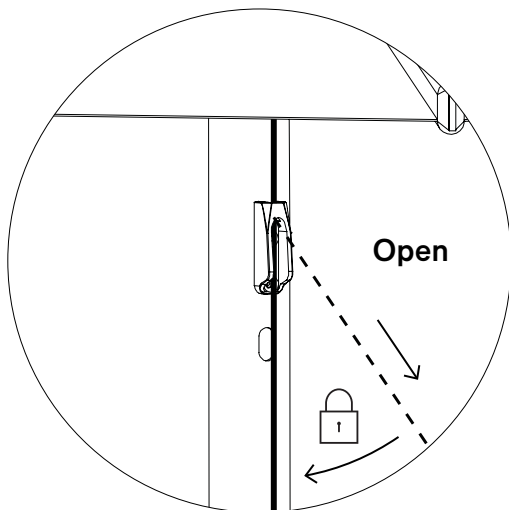


6.



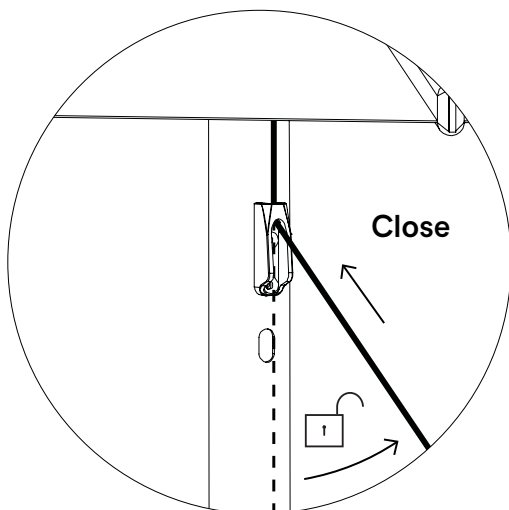


7a.

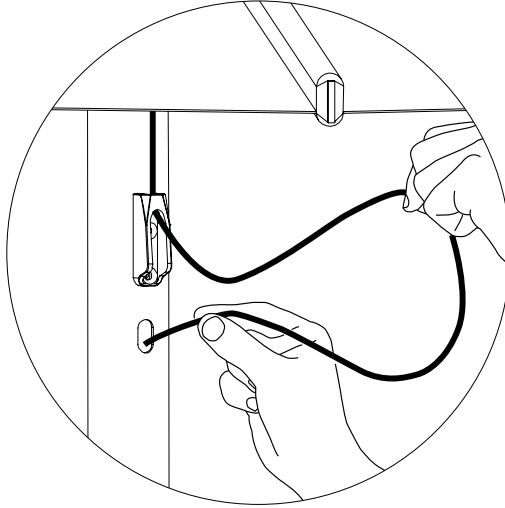


**Attention!**  
The parasol  
should always be  
fully opened or  
completely closed!

7b.



8.



**Insert the rope into the provided hole in  
the parasol tube**

# **Warnings**

# **Text instructions**

# **Maintenance**

**Warnings** ↗

---

**Assembly text instructions** ↗

---

**Maintenance** ↗



# Warnings

## General

- Do not use any sharp tools to open the packaging.
- We strongly advise against using power tools.
- Tripping hazard, mind your step.
- Do not put out cigarettes on the table.
- Not graffiti proof.
- Do not leave children unattended whilst playing on the table.
- To avoid danger of suffocation, keep plastic bags away from babies and children.
- Colors can differ over years and from batch to batch.

## Product

- Do not stand or jump on the Lazy Susan and/or table.
- Do not drag the table, but carry it with minimum 2 people.
- Anchoring the product has to be done by qualified people.
- For anchoring: use suitable bolts or screws from a specialized store depending on the material your terrace is made of.
- The white Lazy Susan reflects in the sunlight.
- Mind your fingers whilst assembling the Lazy Susan.
- Max. 3 people or 240 kg per bench.

## Wood

- When delivered, the wood is untreated.
- Wood is a natural material and its look is different for every slat, plank and tree.
- Wood will gradually become rougher and start to turn grey as a consequence of exposure to the sun and rain. We recommend oiling the wood once or twice a year. 1x before the Summer and 1x after the Summer as protection for the Winter.
- Cleaning regularly with mild detergent. Never use a high pressure



cleaner as this will roughen the wood's smooth surface and irreparably damage the wood's fibress.

- Thorough cleaning with Extremis Wood Cleaner.
- We strongly recommend that you treat your wood with wood oil to protect it from stains - Small cracks and crevices can also appear as part of this process. We strongly advise everyone to treat the furniture with our Wood Protector. It is best to repeat this treatment each year.

## **Galvanized steel**

- Galvanization will become less shiny when used outdoors.
- Flame retarding - NEN-EN13501-1 A1 - Class A1 products will not contribute to fire in any stage, including fully developed fire. For this reason, they are assumed to be capable of satisfying all requirements of all lower classes as well.
- Possible impurities in the immersion tank can cause black marks during galvanization, which are intrinsic to this industrial finishing technique.
- White marks on this zinc layer are also intrinsic to this procedure and will disappear when the furniture is put outdoors.
- This industrial finishing technique may result in a rougher surface. This is intrinsic to the process.

## **Powder coating**

- White powder coating requires more maintenance.
- Do not use abrasive scouring powders or scourers as they will scratch the surface.
- Color can fade to some extent when exposed to UV.
- Flame retarding - NEN-EN13501-1 A2-sl - Satisfying the same criteria as Class B for the SBI-test according to EN13823. In addition, under conditions of a fully developed fire these products will not significantly contribute to the fire load and fire growth.
- Dark colors can get very hot in sunny weather.



## HPL

- UV color fastness: >6 (EN438-2:27) en (ASTM G53-91)

## Sunbrella

- Not waterproof, store inside!
- Shake or brush off loose dirt immediately.
- UV color fastness: 7/8 (ISO 105-B02).



# Assembly text instructions



Take a look at the drawings, starting from page 11

## Pantagruel picnic (p11)

1. Secure the support and the base plate (or the optional floor fastening plate, with the hole directed to the centre. Use the fixing media most suited to the type of ground on which you intend to install the Pantagruel) to the leg with 2 bolts M8x25, do not tighten it completely yet. Repeat this for all the legs!
2. Put the bench upside down on a table (use the packaging as protection) & assemble the leg with 4 bolts M8x16 & the corrugated spring washers M8. After the bench is assembled, you can tighten the bolts of the base plate completely.
3. Put the tabletop diagonally on the trestles.
4. Secure the legs with the bench to the tabletop with 4 bolts M10x25. After assembling the first leg, mount the opposite leg to maintain balance.
5. Loosen the Lazy Susan by unscrewing the bolt & nut on the bottom of the tabletop and by removing the stainless steel plate.
6. Remove the Lazy Susan.
7. Assemble the wheels to the axles with 4 bolts M6x16 and flat washers M6. Attention: tighten the bolts, but do not fully tighten them.
8. Put the Lazy Susan and the stainless steel disk in the tabletop. Optional Lazy Susan anchoring: If you would like to anchor the Lazy Susan, you can assemble the stainless steel plate again on the bottom of the tabletop. Use the extra lock nut instead of the regular



nut. This is a sustainable solution. Do not tighten the extra lock nut too much so the lazy susan can still rotate freely.

### **Backrest** (p17)

1. Insert the two clips (per backrest) between the 2nd and 3rd plank, with its opening pointing towards the floor.
2. Hold the backrest so that the holes in the flat parts are situated just below the holes in the clips. Two people are needed for this part of assembly. Put the bolts through the hole in the backrest and tighten then in the clips. Firmly tighten the bolts to prevent them from loosening spontaneously.

### **With Inumbra** (p19)

1. Remove the Lazy Susan and the little disk.
2. Put the Inumbra connection piece in the middle of the tabletop. Make sure that its conical part is facing upwards. Fasten the insert to the table, putting the bolts through the bottom of the table.
3. Put the Lazy Susan back.
4. Place the Inumbra on the connection piece and fasten it by inserting the handle provided into the lowest hole of the tube and tightening it. Now open the parasol by inserting the handle into the highest hole in the tube and turning it. The parasol should always be fully opened or completely closed.

### **With Inumbrina** (p22)

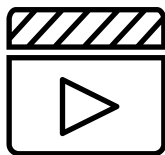
1. Remove the Lazy Susan and the little disk.
2. Remove the rotary knob from the connection piece.
3. Put the Inumbrina large connection piece in the middle of the tabletop. Make sure that the cylindrical part is facing downwards and the square plate is facing upwards. Fasten the insert to the table, putting the bolts through the bottom of the table.
4. Put the Lazy Susan back and insert the Inumbrina into the table.





5. Reattach the rotary knob to the connection piece.
6. Lock it by tightening the rotary knob clockwise. The Inumbrina is only properly locked into place if it can no longer spin on its axis.
7. **a.** To open the parasol, pull hard on the rope until the crown meets the bolt.  
**b.** To close it again, hold the rope at an angle as you release it. TIP: continue to hold the rope at an angle until the parasol is completely closed. The parasol should always be fully opened or completely closed.
8. Now insert the rope into the provided hole in the parasol tube.





Watch the maintenance videos on our website:  
[www.extremis.com/maintenance](http://www.extremis.com/maintenance)

## Wood

### OILING

Twice a year

Before first use and/or after cleaning and sanding, we strongly recommend treating the wood with Extremis Wood Protector to protect it from dirt, moisture and UV rays.

### DAY TO DAY CLEANING

Regularly and after every use

Schedule regular maintenance to prolong the life of your garden furniture. Regular maintenance ensures that the furniture always looks its best.

Cleaning the wood regularly and immediately after use with a clean, damp cloth ensures that liquids cannot penetrate deep into the wood. A well oiled table is less likely to absorb liquids and thus stays cleaner for longer. To remove stubborn dirt, simply use a hard brush and some water. Be careful not to cause permanent damage to the fibres. For this reason, you should never, ever use a high-pressure washer for cleaning wood.

### THOROUGH CLEANING

Twice a year

It is essential to clean the wood thoroughly twice a year. We recommend



doing this just before spring and after summer if your furniture is outside all the year round. Pick one of those humid, cloudy days, as it is better for the moisture level in the wood to dry out slowly after cleaning.

## SANDING WOOD

### Every 2 years

After a few years, your wood will show cracks and perhaps some distortion. This is perfectly normal as wood is a natural and living material. The great advantage of solid wood is that you can sand away the top layer to make the surface even and smooth again. You should do this every two years using a hand sanding machine. Choose a dry day. Finish off with a 120-grit sandpaper.

## REPLACING A WOODEN PART

Hey! You don't need to be an engineer to understand our products. And you don't even need to be great at DIY to replace a part. Do make sure that you can't repair the damage simply by sanding the slat.

## Galvanized steel

### CLEANING

#### When dirty

Clean with lukewarm water and a brush.

## REPAIRING DAMAGED PARTS WITH ZINC SPRAY

### When damaged

Hot dip galvanization is the most durable way of protecting metal against rusting. If the zinc coating is damaged, the exposed metal can rust. This can easily be touched up with zinc paint that automatically has the same colour and is readily available in shops. Zinc spray forms a quick drying, self healing and flexible coating that helps stop corrosion.



## **Powder coating**

### **CLEANING**

#### Regularly

Use Extremis Multicleaner, a 100% biodegradable detergent or common kitchen cleaning products. Avoid using aggressive products. These surfaces are best cleaned with a neutral cleaning product diluted in water.

### **REPAIRING DAMAGED POWDER COATING**

#### When damaged

The impact of sharp objects can damage the coating. Scratches or dents can be touched up with our paint pens. However this only camouflages the scratches without removing them.

## **HPL**

### **SPILLED LIQUIDS**

#### Immediately after use

Spilled liquids should be removed immediately with a clean, soft cloth, particularly in case of dark-coloured liquids such as wine, ink, coffee, coke, oil and bird droppings. If left to dry, these liquids may cause permanent damage!

### **CLEANING**

#### Regularly and after every use

Use Extremis Multicleaner, a 100% biodegradable detergent or common kitchen cleaning products. Avoid using aggressive products. These surfaces are best cleaned with a neutral cleaning product diluted in water.



# Sunbrella

## SPILLED LIQUIDS

### Immediately after use

It is best to treat spilt liquids immediately by placing a sheet of absorbent kitchen paper on them. The water-resistant coating on the Sunbrella prevents droplets from penetrating the fabric.

## REGULAR CLEANING

### When dirty

Make a solution to remove stains on your Sunbrella.

## MACHINE WASHING

### Rarely

It is also possible to put the blankets and cushion covers in a washing machine (30°). Do not dry clean or tumble dry. The fabric can be creased. Ironing will help to recover the waterrepellent coating of the fabric, but only at a cool setting (delicates). As some irons exceed the recommended temperature at the synthetic setting, test a small, inconspicuous area before ironing the entire fabric. DO NOT use a steamer or iron set to the steam setting.

## REMOVING STUBBORN STAINS

### Only if nothing else helps

More drastic measures needed? Bleach can be used if nothing else helps. Protect the area around your Sunbrella fabric when using a bleach solution – bleach may discolour non-Sunbrella fabrics. Please be aware of the environment when cleaning with bleach. Bleach can have harmful effects on the natural environment around you. We do not advise using bleach if you are surrounded by a body of water or another environment that could be affected. If stains and/or mildew marks are severe, the quantity of bleach may be increased.







Our headquarters:  
Couthoflaan 20b  
B-8972, Poperinge  
info@extremis.com  
+ 32 57 346020

**extremis.com**

Connect with us



All rights reserved. Unless otherwise specified, all designs and photographs contained in this publication are copyright protected and are the property of Extremis. No part of this publication may be copied or distributed without Extremis' prior written consent. The names of the authors of photographs to which we do not hold rights are mentioned here. We have done our utmost to provide a comprehensive list of names. In the event of an alleged breach, please contact the editorial staff. © Extremis

LAB006