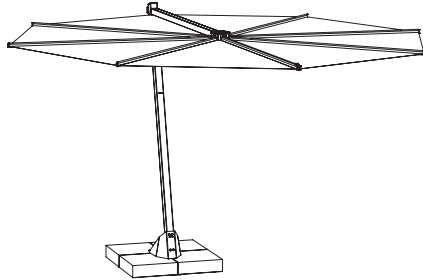


Kosmos shade

round



square



extremis®

Assembly instructions, how to use, useful tips for keeping
your tool for togetherness in shape.

EN - NL - DE - FR - IT - ES

MANUAL
LAB033

extremis®

Tools for togetherness

**IMPORTANT! RETAIN FOR FUTURE
REFERENCE: READ CAREFULLY.**

**BELANGRIJK! LEES DIT DOCUMENT
AANDACHTIG EN BEWAAR HET VOOR
TOEKOMSTIGE RAADPLEGING!**

**WICHTIG! AUFHEBEN, UM SPÄTER
ETWAS NACHSEHEN ZU KÖNNEN:
SORGFÄLTIG DURCHLESEN!**

**IMPORTANT! LISEZ ATTENTIVEMENT
CE MANUEL ET CONSERVEZ-LE POUR
RÉFÉRENCE ULTÉRIEURE!**

**IMPORTANTE! CONSERVARE COME
RIFERIMENTO PER IL FUTURO:
LEGGERE ATTENTAMENTE!**

**¡IMPORTANTE! CONSÉRVELO PARA
FUTURA REFERENCIA: LÉALO
ATENTAMENTE!**



Table of contents

Mounting kit

6

Assembly floor fastening

8

Assembly concrete wheel base

9

Assembly concrete base

10

Assembly Kosmos shade

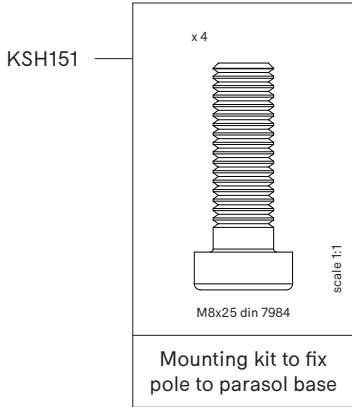
12

Warnings - Assembly text instructions - Maintenance

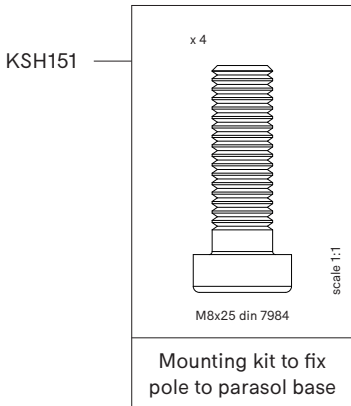
16

Mounting kit

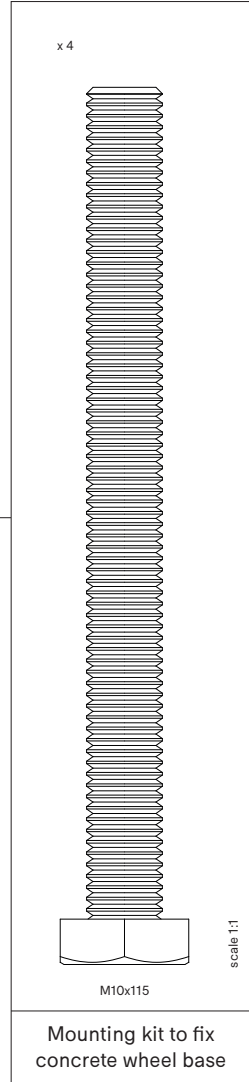
Floor fastening



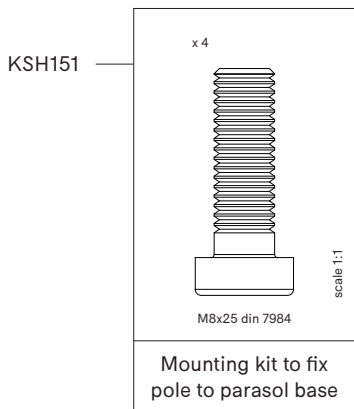
Concrete wheel base



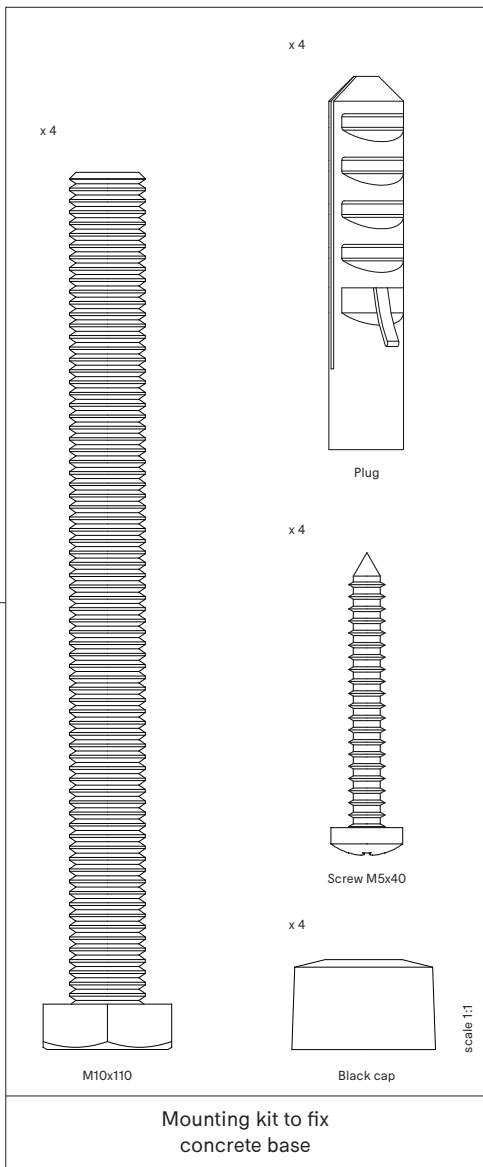
INU182



Concrete base

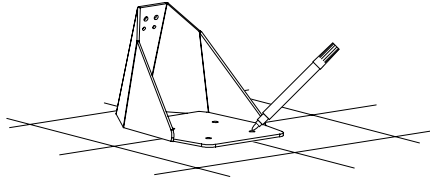


INU180



Assembly Kosmos shade floor fastening

1.



N° 17

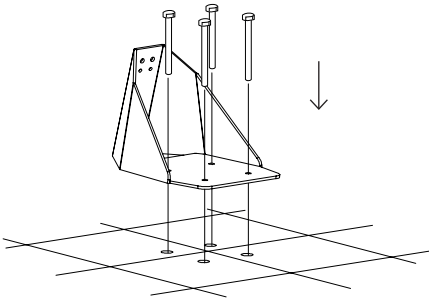


15'

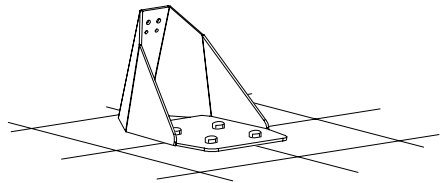


p...

2.

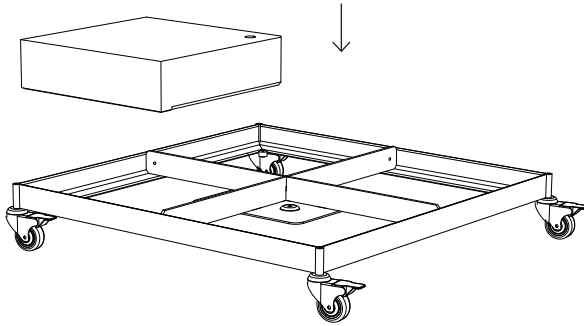


3.



Assembly Kosmos shade concrete wheel base

1.



N° 17

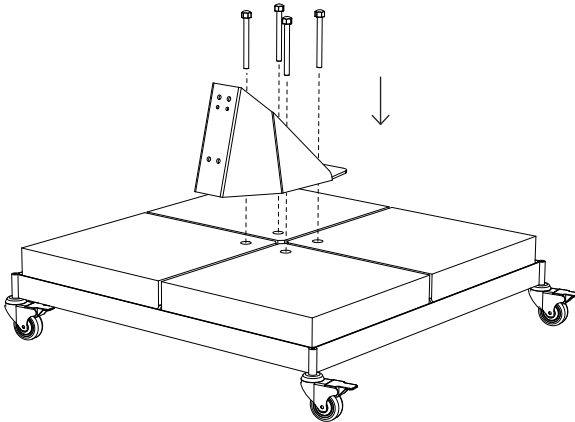


15'



p ...

2.



INU182

x 4

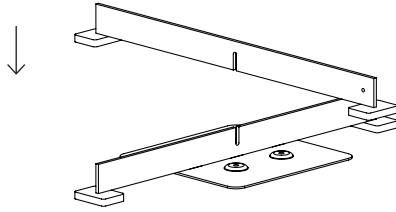


M10x115

scale 1:2

Assembly Kosmos shade concrete base

1.



N° 17



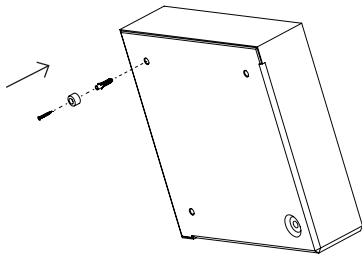
30'



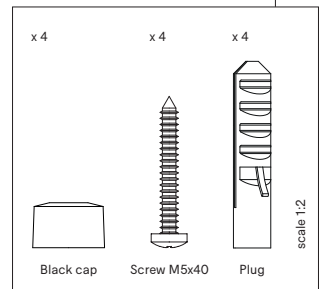
P ...



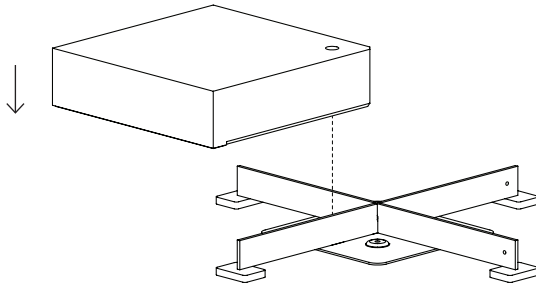
2.



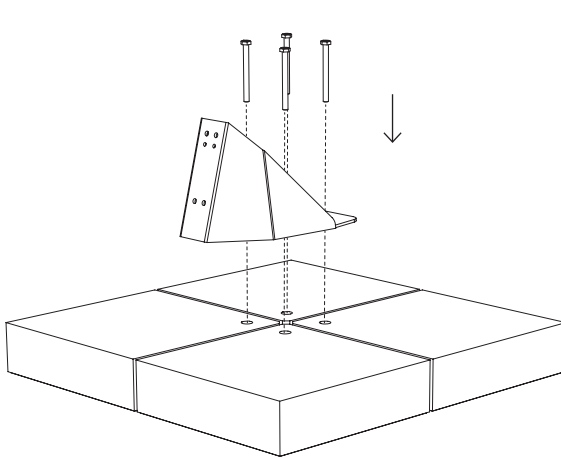
INU180



3.



4.



INU180

x 4



M10x110

scale 1:2

Assembly Kosmos shade

1.



N° 17



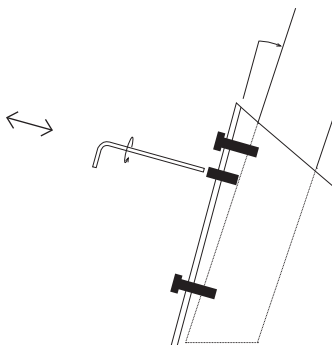
30'



P ...

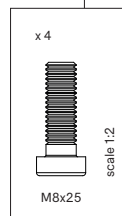


2.

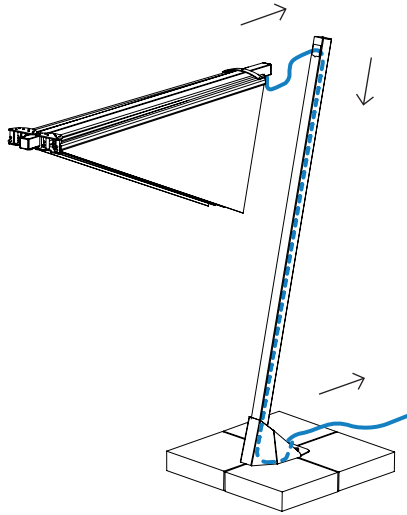


The parasol pole can be slightly tilted by turning the two adjusting screws in the two remaining holes

KSH151

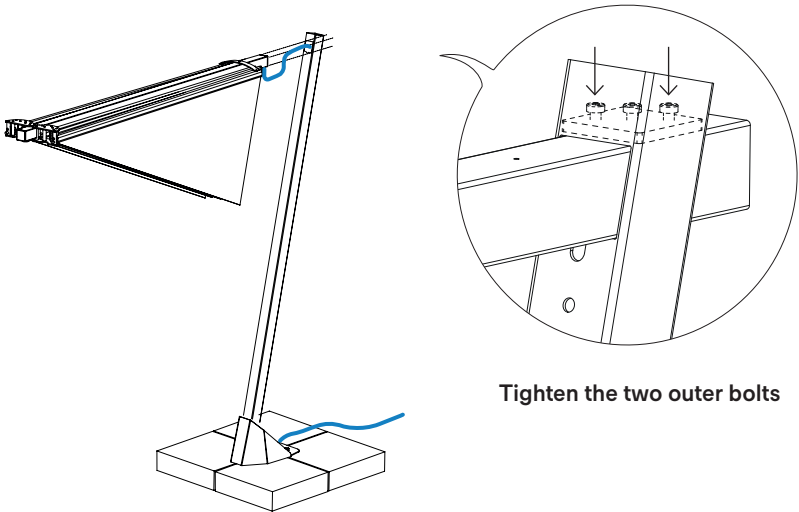


3.



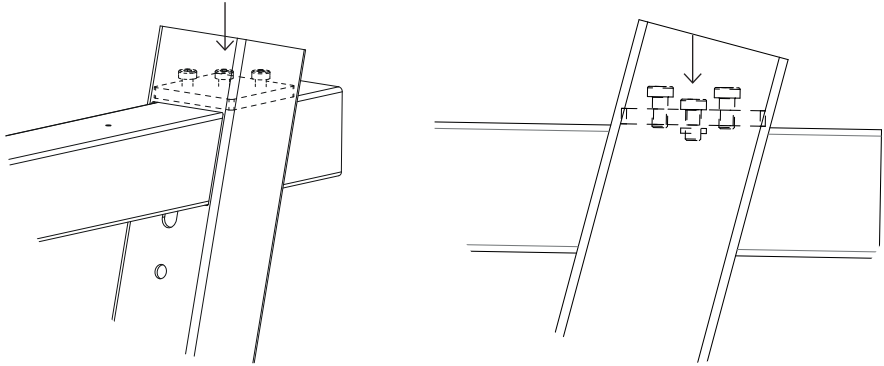
In case of optional light, insert the cable in the hole in the parasol pole and lower it down until it appears at the bottom

4.



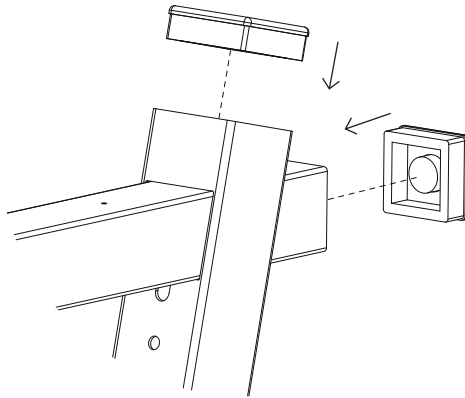
Tighten the two outer bolts

5.

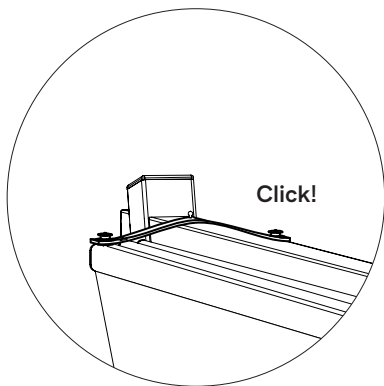
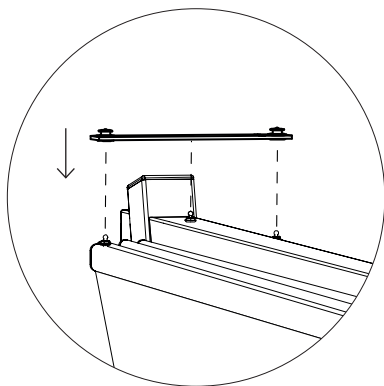


Tighten the inner bolt

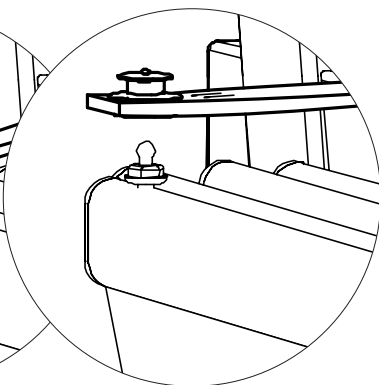
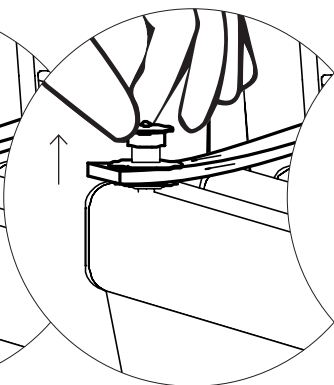
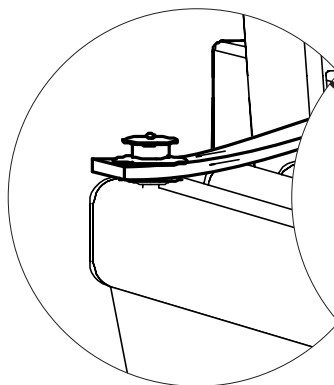
6.



7a.



7b.



Pull the upper part to unfasten the push button

Warnings – Assembly text instructions – Maintenance

English

WARNINGS

General

- Do not use any sharp tools to open the packaging.
- We strongly advise against using power tools.
- Tripping hazard, mind your step.
- Do not put out cigarettes on the shade.
- Not graffiti proof.
- To avoid danger of suffocation, keep plastic bags away from babies and children.
- Colors can differ over years and from batch to batch

Product

- Anchoring the product has to be done by qualified people.
- For anchoring: use suitable bolts or screws from a specialized store depending on the material your terrace is made of.
- Store the shade when not used for a long time as follows: vertically, completely dry and in a dry environment.
- Do not leave closed if not completely dry. Do not leave the shade closed for a long time when the shade fabric is still damp or wet.
- In case of strong winds, close the parasol and use the slip-cover to prevent the shade from opening or getting dirty.
- Do not leave the shade unattended when opened.
- The shade withstands wind speeds up to 6 on the Beaufort scale when anchored to the floor. If possible, put the parasol with its opening pointed at the wind direction. We advise to close the shade and apply the cover from 4 Beaufort on.

High-tech polyester

- Shake or brush off loose dirt immediately.
- Do not use any aggressive detergents as they will remove the protective coating of the fabric.
- We strongly advise you not to use a high-pressure hose for cleaning

Stainless steel

- Very good UV color fastness.
- Flame retarding: NEN-EN13501-1 A1 - Class A1 products will not contribute to fire in any stage, including fully developed fire. For this reason, they are assumed to be capable of satisfying all

requirements of all lower classes as well.

- Watch out, stainless steel isn't entirely rustproof! Be sure to avoid contact with iron objects. If it does show signs of rust, clean with rust remover as quickly as possible.

Concrete

- Matt and porous.
- Very good UV color fastness.
- Flame retarding: NEN-EN13501-1 A1 - Class A1 products will not contribute to fire in any stage, including fully developed fire. For this reason, they are assumed to be capable of satisfying all requirements of all lower classes as well.

ASSEMBLY INSTRUCTIONS

Floor fastening - p8

1. Place the connection piece where you want to place the shade and mark the spots to drill the holes. Drill the holes on the marked spots.
2. Align the holes in the floor with the holes in the connection piece.
3. Attach it to the floor using anchoring bolts (or another type of fixing medium suitable for your kind of floor).

Concrete wheel base - p9

1. Put the four concrete tiles on top of the cross-shaped base. Align the holes in the concrete tiles with the holes in the metal plate of the cross-shaped base. The side with the bevelled corners should be facing downwards.
2. Position the connection piece on top of the concrete tiles. Make sure that the holes in the connection piece are perfectly aligned with the holes in the concrete tiles. Now attach the connection piece with the four supplied bolts.

Concrete base - p10

1. Position the first element of the cross-shaped base on the floor where you wish to place the shade. Then slide the second element over the first one ensuring that the grooves correspond and fit perfectly.
2. Fix the plastic glides to the bottom of the concrete tiles, put the supplied plugs into the holes and tighten the glides with the supplied screws.
3. Put the four concrete tiles on top of the cross-shaped base. Align the holes in the concrete tiles

- with the holes in the metal plate of the cross-shaped base. The side with the bevelled corners should be facing downwards.
4. Position the connection piece on top of the concrete tiles. Make sure that the holes in the connection piece are perfectly aligned with the holes in the concrete tiles. Now you can attach the connection piece to the concrete tiles using the four supplied bolts.

Kosmos shade - p12

1. Align the holes (two at the bottom and two at the top) in the stainless steel part with the holes in the pole. Insert M8x25 bolts and tighten them securely.
2. The pole can be slightly tilted by turning the two adjusting screws in the two remaining holes. To this end, first loosen the top bolts a little until you obtain the desired angle. Then turn the adjusting screws clockwise using a 4mm hexagonal wrench until they touch the parasol pole.
3. Take the shade with its fabric and bring the cables as closely as possible to the top of the pole. In case of optional light, insert the cable in the hole in the pole and lower it down until it appears at the bottom. Once the cable is fitted, you must ask a qualified electrician to install a suitable plug on the cable.
4. Now insert the shade as far as possible into the hole in the pole and fasten it by means of the two outer bolts.
5. Now tighten the inner bolt and make sure it fits in the hole of the horizontal tube.
6. Put the protective caps onto the shade and the pole.
7. Put the leather strap on the shade to prevent the shade from opening. Tip: this leather strap can also be used to keep the shade open **a)** in case of rain, creates water drainining, of **b)** after a long time not being in use, it's possible the magnets don't keep closed well. This is caused by internal stress in the cloth. Use the leather strap on the top of the magnet fastening system, as long as it takes to stretch the cloth.
8. Now open the shade. If the magnets don't close well, first loosen the velcro fastners and op the shade again. Only now you can position the velcro fasters again.

MAINTENANCE

High-tech polyester

CLEANING

When dirty

Clean the fabric of the shade and the cover by rinsing it with water and hand soap or Extremis Multicleaner if necessary.

MACHINE WASHING

Rarely

If the whole shade fabric is rather grey than white despite the extreme fabric quality, the ultimate rescue is machine cleaning your parasol fabric.

Stainless steel

DAY TO DAY CLEANING

Regularly and after every use

Clean with lukewarm water and a mild detergent or Extremis Multi Cleaner.

REGULAR CLEANING

When dirty

We advise regular cleaning with Inox Cleaner and Protector

Watch the maintenance video on our website:
www.extremis.com/maintenance





Our headquarters:
Couthoflaan 20b
B-8972, Poperinge
info@extremis.com
+ 32 57 346020

www.extremis.com

Connect with us:



All rights reserved. Unless otherwise specified, all designs and photographs contained in this publication are copyright protected and are the property of Extremis. No part of this publication may be copied or distributed without Extremis' prior written consent. The names of the authors of photographs to which we do not hold rights are mentioned here. We have done our utmost to provide a comprehensive list of names. In the event of an alleged breach, please contact the editorial staff. © Extremis

20220503