

# AMAi catering station

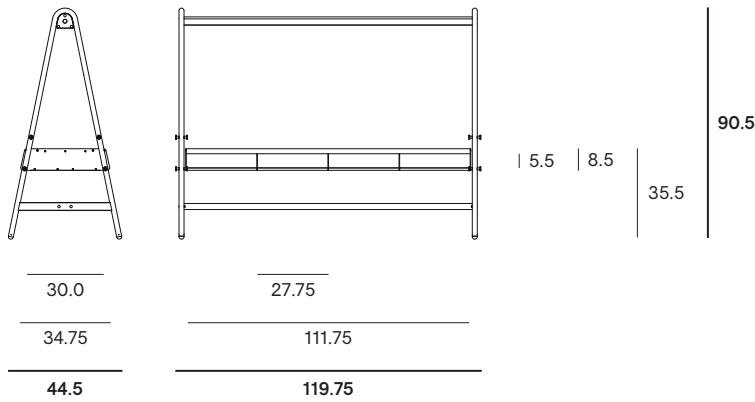
© design by Dirk Wynants

extremis®



## Dimensions

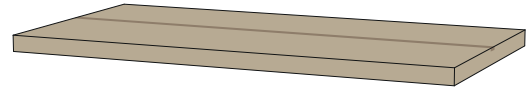
The AMAi catering station is available in one dimension



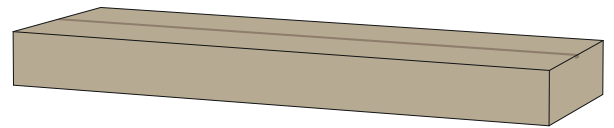
## Box dimensions

The AMAi catering station comes in 6 boxes

Box 1: A-frame (2x)



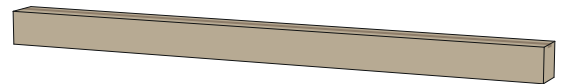
Box 2: Chef tabletop



Box 3: Footrest



Box 4: Top profile



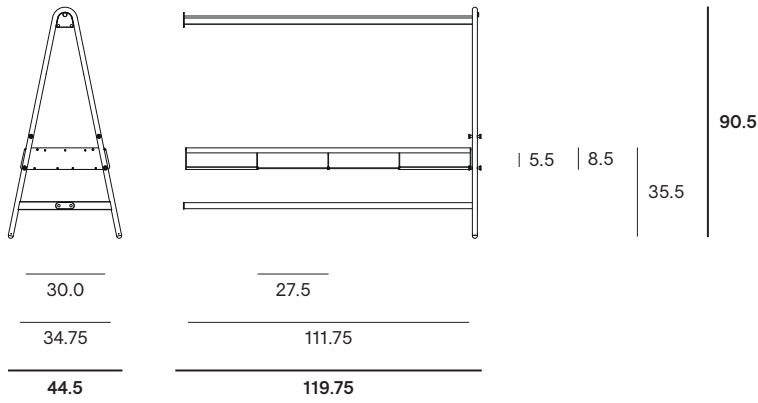
Box 5: Endcaps



Box dimensions (inch)		L	W	H	Qty	Volume (ft <sup>3</sup> )	Gross weight (lb)	Net weight (lb)	Packaging weight (lb)
AMAi catering station	Box 1	92.5	47.25	3.25	2	16.60	93.04	70.99	22.05
	Box 2	112.25	36.5	11.0	1	26.13	121.25	112.44	8.82
	Box 3	114.25	7.5	2.75	1	1.41	23.59	20.94	2.65
	Box 4	114.75	7.0	6.0	1	3.18	41.67	37.26	4.41
	Box 5	7.75	6.0	3.5	1	0.35	1.32	1.10	0.22
	Total:					<b>47.67</b>	<b>280.87</b>	<b>242.73</b>	<b>38.15</b>

# Chef extension module

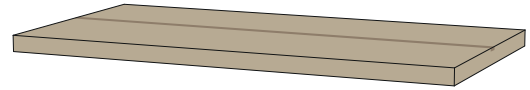
The catering station extension module is available in one dimension



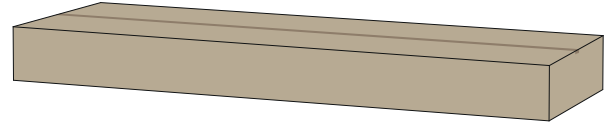
# Box dimensions

The catering station extension module comes in 5 boxes

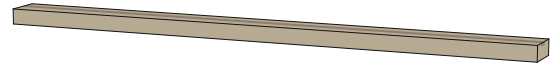
Box 1: A-frame (1x)



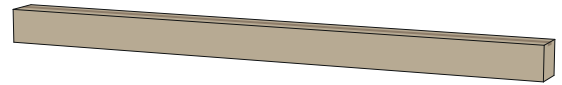
Box 2: Tabletop



Box 3: Footrest



Box 4: Top profile



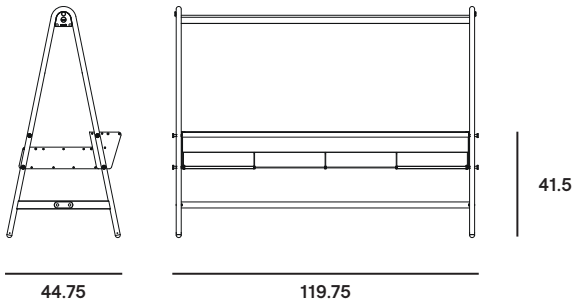
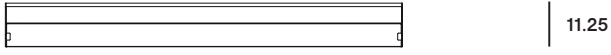
Box 6: Mounting kit extension



Box dimensions (inch)		L	W	H	Qty	Volume (ft <sup>3</sup> )	Gross weight (lb)	Net weight (lb)	Packaging weight (lb)
<b>AMAI catering station extension</b>	Box 1	92.5	47.25	3.5	1	8.48	46.52	35.49	11.02
	Box 2	112.5	36.5	11.0	1	26.13	121.25	112.44	8.82
	Box 3	114.25	7.5	2.75	1	1.41	23.59	20.94	2.65
	Box 4	114.75	7.0	6.0	1	3.18	41.67	37.26	4.41
	Box 6	7.75	6.0	3.5	1	0.35	1.32	1.10	0.22
<b>Total:</b>						<b>39.55</b>	<b>234.35</b>	<b>207.23</b>	<b>27.12</b>

## Bar add-on

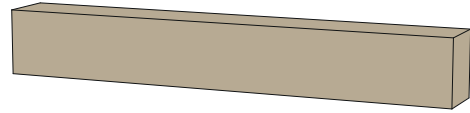
The bar add-on is available in one dimension



## Box dimensions

The bar add-on comes in 1 box

Box 7: Bar



Box dimensions (inch)		L	W	H	Qty	Volume (ft <sup>3</sup> )	Gross weight (lb)	Net weight (lb)	Packaging weight (lb)
Bar add-on	Box 7	114.75	14.25	16.25	1	15.54	74.96	66.14	8.82

## Outdoor/indoor lighting & electricity module

The lighting & electricity module is available in one dimension

2 dimmable [LED lights](#) in the center of the profile  
 Color temperature of 3000K (warm white)  
 Beam angle of 50°  
 1380 mA / 46 W / 50-60 Hz / IP54  
 Europe: 220 V / US: 120 V / Japan: 100 V

### Electrical Plug

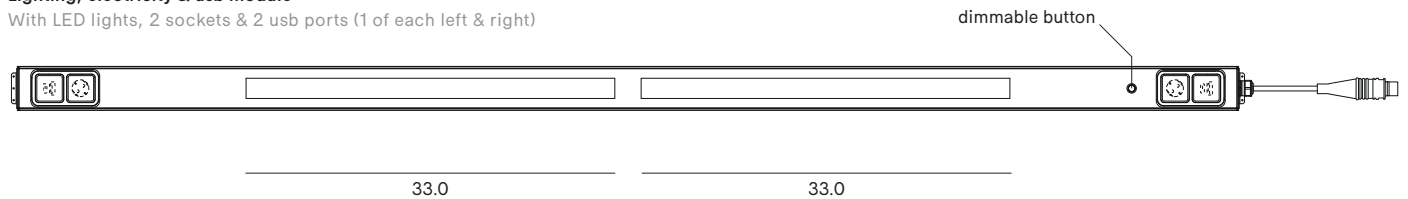
16 A — 250 V

### USB & USBC module

3 A — 5 V — 15 W

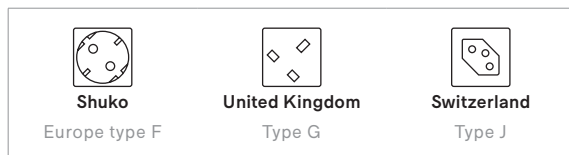
### Lighting, electricity & usb module

With LED lights, 2 sockets & 2 usb ports (1 of each left & right)

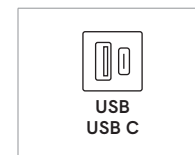


Box dimensions (inch)		L	W	H	Qty	Volume (ft <sup>3</sup> )	Gross weight (lb)	Net weight (lb)	Packaging weight (lb)
Lighting & electricity module	Box 7	111.25	4.75	3.25	1	1.06	37.48	33.07	4.41

### Types of electrical plugs



### Type of USB module

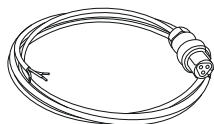


## Connection cable

The connection cable is available in one dimension

One cable can power 4 AMAi modules.  
 Consult Extremis when using several heating or kitchen appliances  
 In countries where this type of plug is not used, a different plug will need to be fitted

Connection cable Female  
 PVC cable H05VV-F  
 Length 5 m



250 V — 20 A — 4 kV — IP66/68

Box dimensions (inch)		L	W	H	Qty	Volume (ft <sup>3</sup> )	Gross weight (lb)	Net weight (lb)	Packaging weight (lb)
Connection cable	Box 8	7.75	5.5	5.5	1	0.35	4.85	4.41	0.44

## Box dimensions

The lighting & electricity module comes in 1 box

[Box 7](#): lighting & electricity module



## Box dimensions

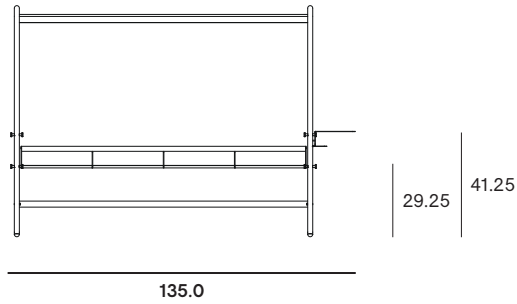
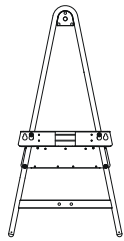
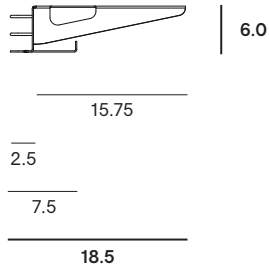
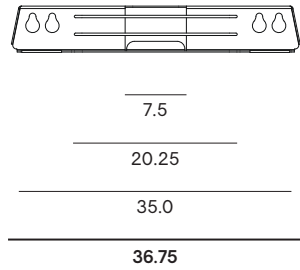
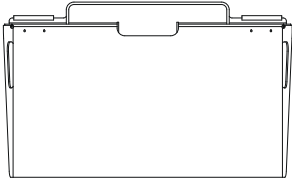
The connection cable comes in 1 box

[Box 8](#): connection cable



## Add-on table

The add-on table is available in one dimension



## Box dimensions

The add-on table comes in 1 box

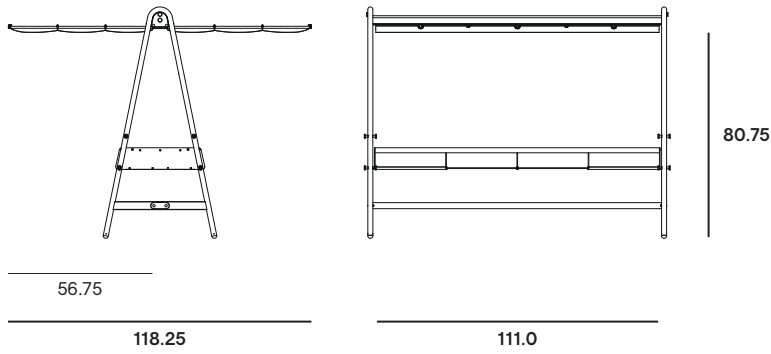
Box 9: Add-on table



Box dimensions (inch)		L	W	H	Qty	Volume (ft <sup>3</sup> )	Gross weight (lb)	Net weight (lb)	Packaging weight (lb)
Add-on table	Box 9	37.0	18.75	6.0	1	2.47	29.76	28.22	1.54

## Shade

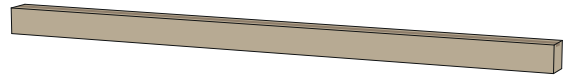
The shade is available in one dimension



## Box dimensions

The shade comes in 1 box

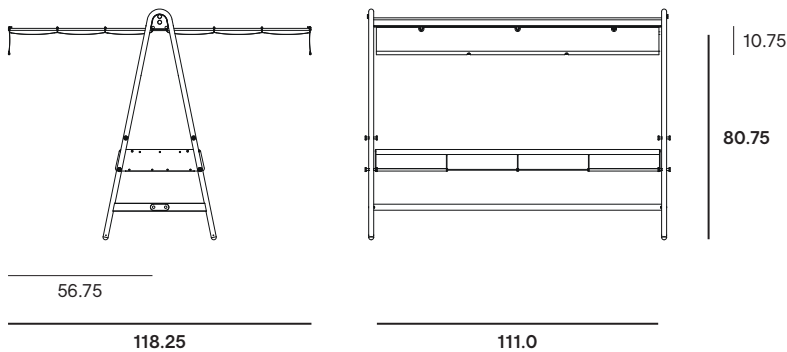
Box 10: Fabric + supports



Box dimensions (inch)		L	W	H	Qty	Volume (ft <sup>3</sup> )	Gross weight (lb)	Net weight (lb)	Packaging weight (lb)
Shade (1 set)	Box 10	118.7	5.75	5.5	1	2.12	26.46	22.05	4.41

## Market shade

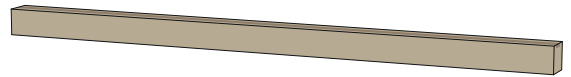
The market shade is available in one dimension



## Box dimensions

The market shade comes in 1 box

Box 11: Fabric + supports

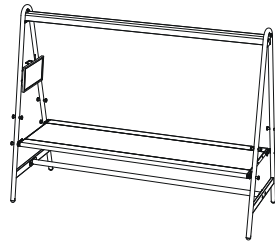
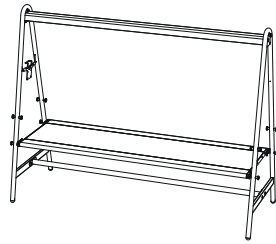
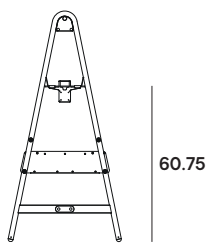
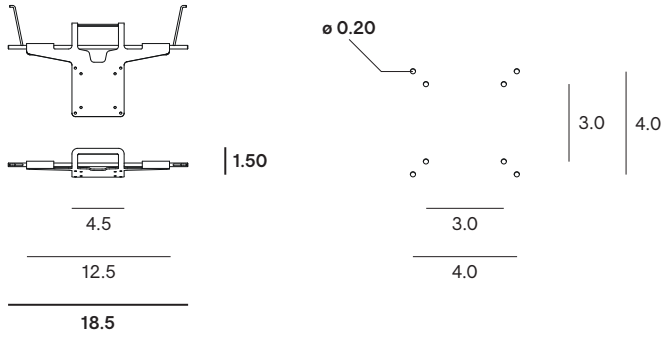


Box dimensions (inch)		L	W	H	Qty	Volume (ft <sup>3</sup> )	Gross weight (lb)	Net weight (lb)	Packaging weight (lb)
Market shade (1 set)	Box 11	118.75	5.75	5.5	1	2.12	28.66	24.25	4.41

# Monitor holder

The monitor holder is available in one dimension

Vesa connection for computer monitor, not for a television



# Box dimensions

The monitor holder comes in 1 box

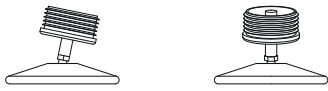
Box 12: screenholder



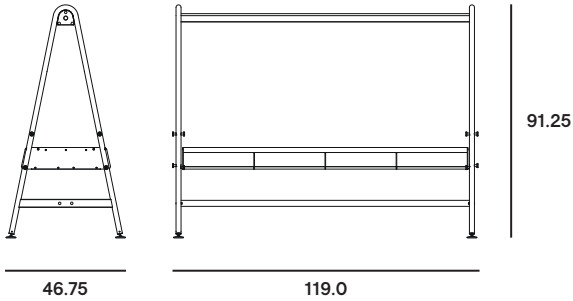
Box dimensions (inch)		L	W	H	Qty	Volume (ft3)	Gross weight (lb)	Net weight (lb)	Packaging weight (lb)
Monitor holder	Box 12	15.75	11.75	4.0	1	0.35	3.31	2.87	0.44

## Leveling feet

The leveling feet is available in one dimension



ø4.0



## Box dimensions

The leveling feet comes in 1 box

Box 13: leveling feet

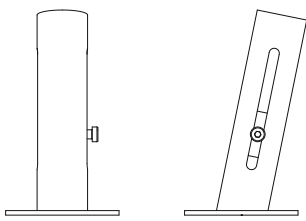
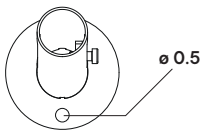


Box dimensions (inch)		L	W	H	Qty	Volume (ft <sup>3</sup> )	Gross weight (lb)	Net weight (lb)	Packaging weight (lb)
Leveling feet (1 set)	Box 13	7.75	6.0	3.5	1	0.35	1.32	1.10	0.22

## Floor fastening

The floor fastening is available in one dimension

The height of the floor fastening can also be adjusted.

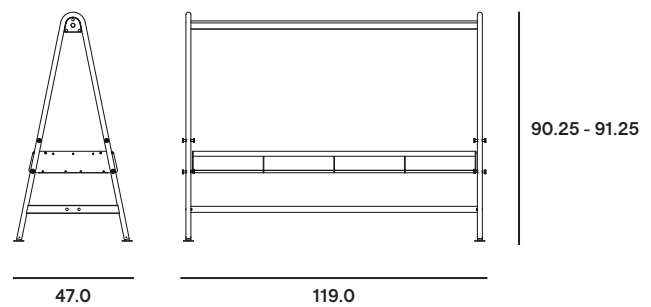


ø4.0

## Box dimensions

The floor fastening comes in 1 box

Box 14: floor fastening



Box dimensions (inch)		L	W	H	Qty	Volume (ft <sup>3</sup> )	Gross weight (lb)	Net weight (lb)	Packaging weight (lb)
Floor fastening (1 set)	Box 14	7.75	6.0	3.5	1	0.35	1.54	1.32	0.22



## A-frame, top profile & tabletop



**Black (RAL9005)**  
Structured powder coating



**Beach beige (RAL1019)**  
Structured powder coating



**Off white (RAL9002)**  
Structured powder coating



**Copper brown (RAL8004)**  
Structured powder coating

## Bar add-on



**Black (RAL9005)**  
Structured powder coating



**Beach beige (RAL1019)**  
Structured powder coating



**Off white (RAL9002)**  
Structured powder coating



**Copper brown (RAL8004)**  
Structured powder coating

## Footrest

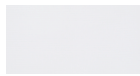


**Galvanized steel**  
Standard included



**Stainless steel 316**  
Optional

## Shade fabric



**White**  
High-tech polyester



Materials	Key facts	Thickness	Layer thickness	Density	In/outdoor	Water	UV color fastness	Flame retarding
		mm	micron					
Structured powder coated stainless steel A-frame	<ul style="list-style-type: none"> <li>• Easy to clean</li> <li>• Stainless steel (for protection against rust), then powder coated</li> <li>• More scratch-resistant than non structured powder coating</li> </ul>	2	50 - 100	8,00 10 <sup>3</sup> kg/m <sup>3</sup>	Outdoor & indoor	n.a.	Very good: color can fade to some extent when exposed to UV	NEN-EN13501-1 A1 *
Structured powder coated aluminium tabletop side profiles & top profile	<ul style="list-style-type: none"> <li>• A technique of applying dry paint to a part</li> <li>• Electrostatically charged and sprayed onto the object</li> <li>• More scratch-resistant than non structured powder coating</li> </ul>	2-10	50 - 100	2,70 10 <sup>3</sup> kg/m <sup>3</sup>	Outdoor & indoor	n.a.	Very good: color can fade to some extent when exposed to UV	NEN-EN13501-1 A2-s1 **
Structured powder coated ZnAlMg steel tabletop centerplate	<ul style="list-style-type: none"> <li>• A technique of applying dry paint to a part</li> <li>• Electrostatically charged and sprayed onto the object</li> <li>• More scratch-resistant than non structured powder coated</li> </ul>	2	60	7,50 10 <sup>3</sup> kg/m <sup>3</sup>	Outdoor & indoor	n.a.	Very good: color can fade to some extent when exposed to UV	NEN-EN13501-1 A2-s1 **
Stainless steel footrest & shade structure	<ul style="list-style-type: none"> <li>• High rust resistance</li> <li>• Periodical maintenance required</li> </ul>	2	n.a.	8,00 10 <sup>3</sup> kg/m <sup>3</sup>	Outdoor & indoor	n.a.	Very good	NEN-EN13501-1 A1 *
High-tech polyester fabric	<ul style="list-style-type: none"> <li>• High UV resistance and ultra strong</li> <li>• Low weight / high tear strength</li> <li>• Long-term appearance</li> </ul>	0,37	n.a.	250 g/m <sup>2</sup>	Outdoor & indoor	Water column of 350 mm (EN 20811)	7/8 (ISO 105-B02)	/
LED light	<ul style="list-style-type: none"> <li>• Color temperature of 3000K</li> <li>• Beam angle of 50°</li> <li>• 1380 mA</li> <li>• 46 W</li> <li>• 220 V - 50/60 Hz</li> </ul>	n.a.	n.a.	n.a.	Outdoor & indoor		/	/

NEN-EN13501-1 A1	Class A1 products will not contribute to fire in any stage, including fully developed fire. For this reason, they are assumed to be capable of satisfying all requirements of all lower classes as well.
NEN-EN13501-1 A2-sl	Satisfying the same criteria as class B for the SBI-test according to EN 13823. In addition, under conditions of a fully developed fire these products will significantly contribute to the fire load a fire growthwell.

## Good to know

- Casambi Bluetooth electricity module.
- Patented

## Floor fastening

AMAI comes with an optional floor anchoring set: four steel plates to be fixed with bolts.

## F.A.Q.

Q: How wind resistant is the parasol?

A: Tests in a windtunnel have shown that the shade withstands wind speeds up to 31 mph. Still, we strongly advise to close it sooner (from 18 mph is the rule of thumb).

## Maintenance

Find maintenance instructions at the [product care](#) section of [extremis.com](#) for

### POWDER COATED PARTS

- White powder coating obviously requires more maintenance.
- Clean stains with Extremis Multi Cleaner.

### GALVANIZED PARTS

- How to repair a damaged zinc layer.

### SHADE FABRIC

- Shake or brush off loose dirt immediately.
- Spray Extremis Multi Cleaner.
- Use a soft brush and make circular movements.
- Let the suds soak in for a moment.
- Rinse thoroughly to remove all soap residue.
- Simply allow to dry.

## Warnings

### General

- Do not use any sharp tools to open the packaging.
- We strongly advise against using power tools.
- Tripping hazard, mind your step.
- Do not put out cigarettes on the table.
- Not graffiti proof.
- Do not leave children unattended whilst playing on the table.
- To avoid danger of suffocation, keep plastic bags away from babies and children.
- Colors can differ over years and from batch to batch.

### Product

- Do not stand or jump on the table.
- Do not drag the table, but carry it with minimum 2 people.
- Anchoring the product has to be done by qualified people.
- For anchoring: use suitable bolts or screws from a specialized store depending on the material your terrace is made of.
- Tests in a windtunnel have shown that the shade

withstands wind speeds up to 6 on the Beaufort scale (49 km/h). Still, we strongly advise to close it sooner (from 4 on the Beaufort scale is the rule of thumb (28 km/h)).

### Powder coating

- White powder coating requires more maintenance.
- Do not use abrasive scouring powders or scourers as they will scratch the surface.
- Color can fade to some extent when exposed to UV.
- Flame retarding - NEN-EN13501-1 A2-sl - Satisfying the same criteria as Class B for the SBI-test according to EN13823. In addition, under conditions of a fully developed fire these products will not significantly contribute to the fire load and fire growth.
- Dark colors can get very hot in sunny weather.

### Galvanized steel

- Galvanization will become less shiny when used outdoors.
- Flame retarding - NEN-EN13501-1 A1 - Class A1 products will not contribute to fire in any stage,

including fully developed fire. For this reason, they are assumed to be capable of satisfying all requirements of all lower classes as well.

- Possible impurities in the immersion tank can cause black marks during galvanization, which are intrinsic to this industrial finishing technique.
- White marks on this zinc layer are also intrinsic to this procedure and will disappear when the furniture is put outdoors.
- This industrial finishing technique may result in a rougher surface. This is intrinsic to the process.

### High-tech polyester

- Shake or brush off loose dirt immediately.
- Do not use any aggressive detergents as they will remove the protective coating of the fabric.
- We strongly advise you not to use a high-pressure hose for cleaning.