

# Picnik

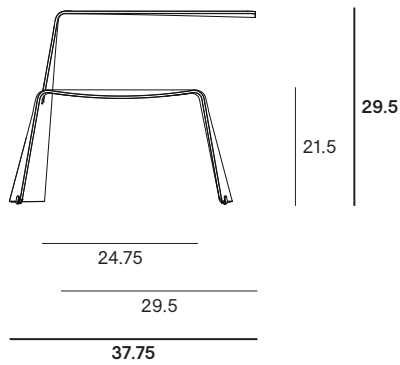
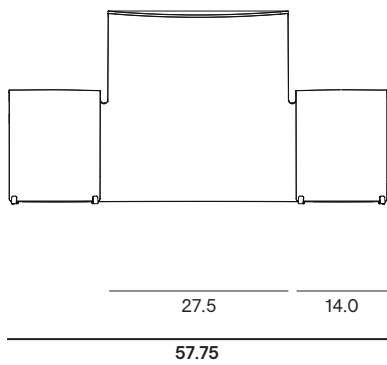
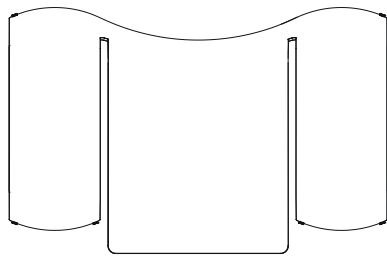
© design by Dirk Wynants & Xavier Lust

extremis®



## Dimensions

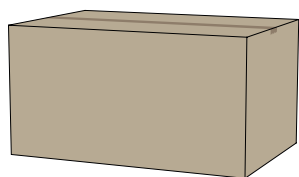
The Picnik is available in 1 dimension



## Box dimensions

The Picnik comes in 1 box

Box 1: Picnik



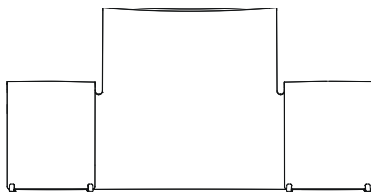
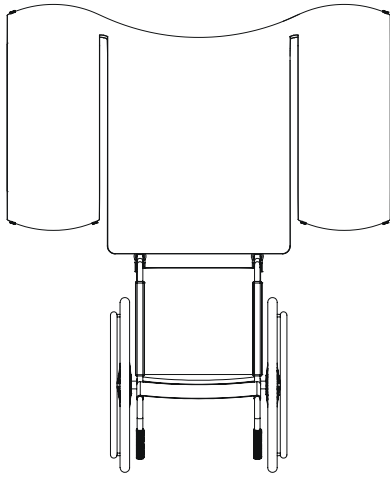
Box dimensions (inch)		L	W	H	Qty	Volume (ft <sup>3</sup> )	Gross weight (lb)	Net weight (lb)	Packaging weight (lb)
Picnik	Box 1	59.0	39.5	31.5	1	42.38	162.48	132.28	30.20

# Wheelchair accessibility dimensions

---

As specifications for wheelchair accessibility vary around the world, please review the dimensions below to ensure the measurements of each solution meet the specifications of your local requirements

Accessible on the open side of the tabletop



30.0

28.5

# Materials & colors

Check price list or [www.extremis.com](http://www.extremis.com) for current materials & colors

## Picnik



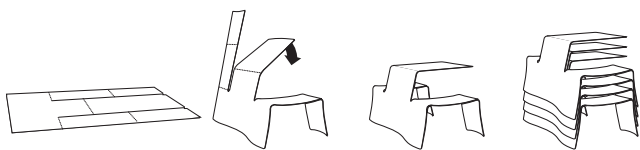
Materials	Key facts	Thickness	Layer thickness	Density	In/outdoor	Water	UV color fastness	Flame retarding
		inch	micron					
Structured powder-coated aluminium	<ul style="list-style-type: none"> <li>A technique of applying dry paint to a part</li> <li>Electrostatically charged and sprayed onto the object</li> <li>Placed in an oven and powder particles melt and coalesce to form a continuous film</li> <li>More scratch-resistant than non structured powder-coating</li> </ul>	0.39	50 - 100	0.17 10 <sup>3</sup> lb/ft <sup>3</sup>	Outdoor & indoor	n.a.	Very good: color can fade to some extent when exposed to UV	NEN-EN 13501-1 A2-s1*

[NEN-EN13501-1 A2-s1](#)

Satisfying the same criteria as class B for the SBI-test according to EN 13823. In addition, under conditions of a fully developed fire these products will not significantly contribute to the fire load and fire growth

## Good to know

- Also a miniature version of this iconic piece available.
- Stackable up to 5 pieces and protect with blankets.
- Picnik is cut out of one aluminium sheet without any loss of material.



## Maintenance

### POWDER COATED PARTS

- White powder coating obviously requires more maintenance.

## Floor fastening

Picnik comes with an optional floor fastening set: four stainless steel feet to be fixed with bolts. Use suitable bolts or screws from a specialized store depending on the material your terrace is made of.



## Protective feet

Picnik comes with optional protective feet for delicate floor: four stainless steel feet with felt.



## F.A.Q.

*Q: Is it possible to stack the table?*

A: It is possible, but as it is quite heavy, it is not so often done. To avoid damage, we recommend using blankets.

*Q: Is it easy to move the table?*

A: With two people this is very doable.

## Warnings

### General

- Do not use any sharp tools to open the packaging.
- We strongly advise against using power tools.
- Tripping hazard, mind your step.
- Do not put out cigarettes on the table.
- Not graffiti proof.
- Do not leave children unattended whilst playing on the table.
- To avoid danger of suffocation, keep plastic bags away from babies and children.
- Colors can differ over years and from batch to batch.

### Product

- Do not drag the table, but carry it with minimum 2 people.

- Anchoring the product has to be done by qualified people.
- For anchoring: use suitable bolts or screws from a specialized store depending on the material your terrace is made of.
- There are protective feet for indoor use.
- Stackable up to 5 pieces and protect with blankets.
- Always stack the table with 2 people.
- The Picnik tabletop can bear a maximum load of 264 lb.
- Max. 2 people or 352 lb per bench.

### Powder coating

- White powder coating requires more maintenance.
- Do not use abrasive scouring powders or scourers as they will scratch the surface.

- Color can fade to some extent when exposed to UV.
- Flame retarding - NEN-EN13501-1 A2-sl - Satisfying the same criteria as Class B for the SBI-test according to EN13823. In addition, under conditions of a fully developed fire these products will not significantly contribute to the fire load and fire growth.
- Dark colors can get very hot in sunny weather.