

# Tiki table

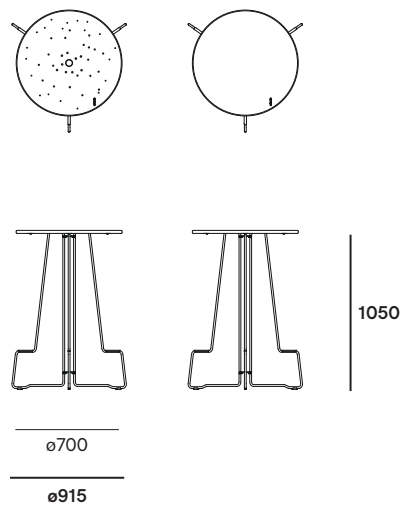
© design by Dirk Wynants

extremis®

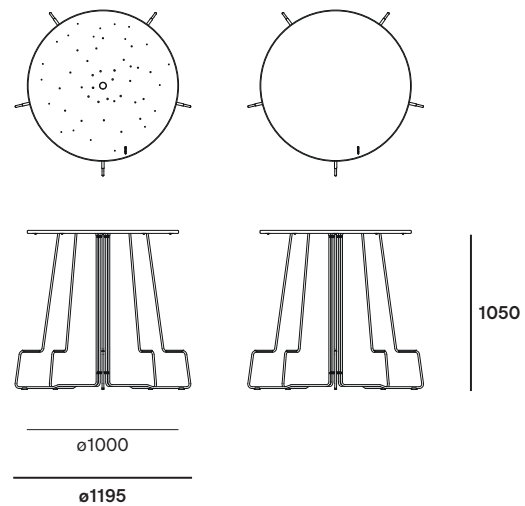


## Dimensions

The Tiki table small is available with 2 different tabletops  
(Standard tabletop with drainage & parasol hole / Flat tabletop)



The Tiki table large is available with 2 different tabletops  
(Standard tabletop with drainage & parasol hole / Flat tabletop)



## Box dimensions

The Tiki table comes in 2 boxes

Box 1: Tabletop



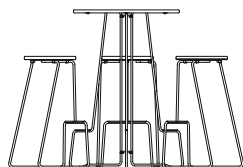
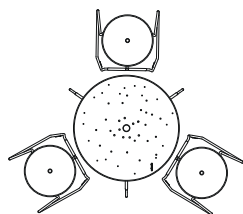
Box 2: legs



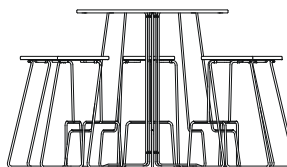
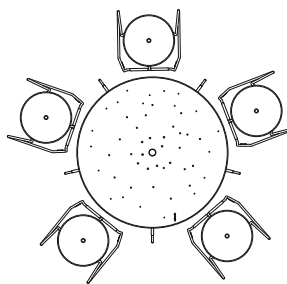
Box dimensions (mm)		L	W	H	Qty	Volume (m <sup>3</sup> )	Gross weight (kg)	Net weight (kg)	Packaging weight (kg)
Tiki table small	Box 1	740	740	55	1	0,03	9,00	7,00	2,00
	Box 2	1090	520	170	1	0,10	10,50	8,00	2,50
	Total:					<b>0,13</b>	<b>19,50</b>	<b>15,00</b>	<b>4,50</b>
Tiki table large	Box 1	1040	1040	55	1	0,06	17,20	13,50	3,70
	Box 2	1090	655	255	1	0,18	17,30	14,50	2,80
	Total:					<b>0,24</b>	<b>34,50</b>	<b>28,00</b>	<b>6,50</b>

# How to combine Tiki table

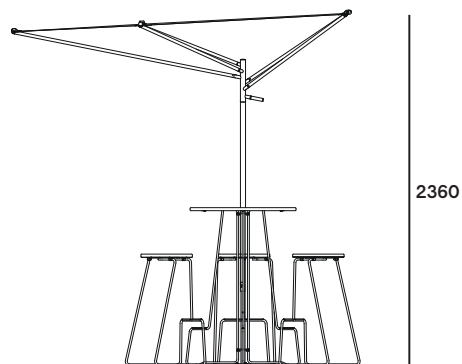
The Tiki table small can be combined with 3 Tiki bar stools



The Tiki table large can be combined with 5 Tiki bar stools



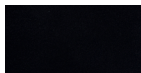
The Tiki table small with standard tabletop can be combined with the Acacia shade



The Tiki table large with standard tabletop can be combined with the Acacia shade



## Tabletop & legs



**Black (RAL9005)**  
Structured powder coating



**Earth**  
Structured powder coating



**Off white (RAL9002)**  
Structured powder coating



**Verdigris**  
Structured powder coating



**Copper brown (RAL8004)**  
Structured powder coating



Materials	Key facts	Thickness	Layer thickness	Density	In/outdoor	Water	UV color fastness	Flame retarding
		mm	micron					
Structured power coated ZnAlMg steel tabletop	<ul style="list-style-type: none"> <li>A technique of applying dry paint to a part</li> <li>Electrostatically charged and sprayed onto the object</li> <li>More scratch-resistant than non structured powder coated</li> </ul>	1,50	60	7,50 10 <sup>3</sup> kg/m <sup>3</sup>	Outdoor & indoor	n.a.	Very good: color can fade to some extent when exposed to UV	NEN-EN 13501-1 A2-s1
Structured powder coated zinc steel legs	<ul style="list-style-type: none"> <li>Easy to clean</li> <li>Cold galvanised, then powdercoated</li> <li>More scratch-resistant than non structured powder coating</li> </ul>	12	100	7,50 10 <sup>3</sup> kg/m <sup>3</sup>	Outdoor & indoor	n.a.	Very good: color can fade to some extent when exposed to UV	NEN-EN 13501-1 A1
Stainless steel foot rest	<ul style="list-style-type: none"> <li>High rust resistance</li> <li>Periodical maintenance required</li> </ul>	12	n.a.	8,00 10 <sup>3</sup> kg/m <sup>3</sup>	Outdoor & indoor	n.a.	No effect	NEN-EN13501-1 A1 *

### NEN-EN13501-1 A1

Class A1 products will not contribute to fire in any stage, including fully developed fire. For this reason, they are assumed to be capable of satisfying all requirements of all lower classes as well.

### NEN-EN13501-1 A2-sl

Satisfying the same criteria as class B for the SBI-test according to EN 13823. In addition, under conditions of a fully developed fire these products will not significantly contribute to the fire load and fire growth

## Good to know

- Transparent fine lines, to give bars, restaurants, etc., a tidy, sleek look with its minimal impact.
- Footrest with great freedom of movement.
- Water drainage holes in the standard tabletop.
- Easy to fold and store.
- The perfect combination with Tiki bar stools.
- The perfect combination with Acacia shade.



small version  
with Tiki bar stools



large version  
with Tiki bar stools



version with standard tabletop  
with Acacia & Tiki bar stools

## Maintenance

### POWDER COATED PARTS

- White powder coating obviously requires more maintenance.

## Protection feet with felt

- Tiki table has optional protection feet with felt for delicate floors.

## F.A.Q.

*Q: Is the Tiki table weatherproof?*

**A:** Yes, the tabletop and legs of the Tiki table are made of durable, UV- & waterproof materials. The hole in the tabletop makes sure the water can evacuate easily.

## Warnings ⚠

### General

- Do not use any sharp tools to open the packaging.
- We strongly advise against using power tools.
- Tripping hazard, mind your step.
- Do not put out cigarettes on the table.
- Not graffiti proof.
- Do not leave children unattended whilst playing on the table.
- To avoid danger of suffocation, keep plastic bags away from babies and children.
- Colors can differ over years and from batch to batch.

### Product

- Do not drag the table, but carry it with minimum 2 people.
- Regularly clean the flat surface of tabletop.

### Powder coating

- White powder coating requires more maintenance.
- Do not use abrasive scouring powders or scourers as they will scratch the surface.
- Color can fade to some extent when exposed to UV.
- Flame retarding - NEN-EN13501-1 A2-sl - Satisfying the same criteria as Class B for the

SBI-test according to EN13823. In addition, under conditions of a fully developed fire these products will not significantly contribute to the fire load and fire growth.

- Dark colors can get very hot in sunny weather.