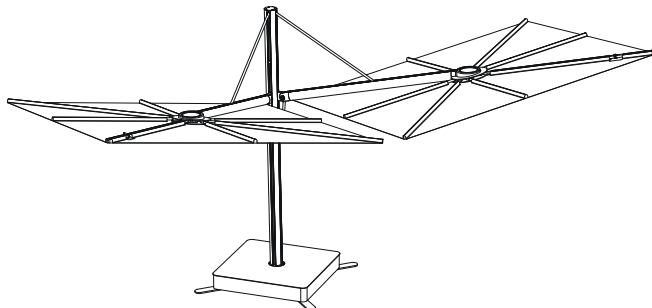
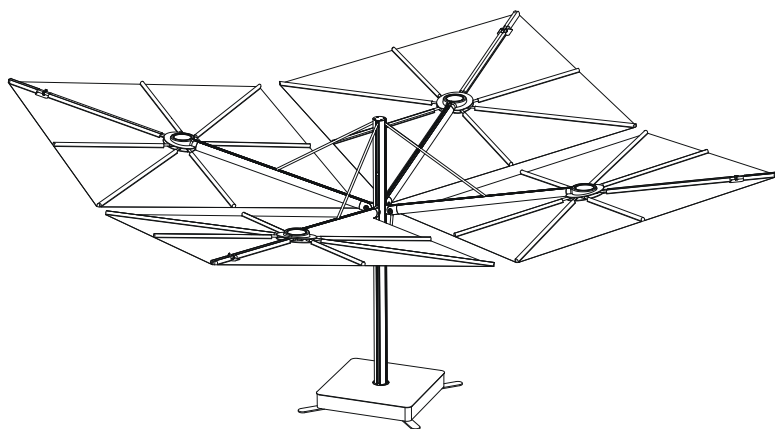


Sensu

Duo diamond



Quattro diamond



extremis®

Assembly instructions, how to use, useful tips for keeping
your tool for togetherness in shape.

EN - NL - DE - FR

MANUAL
LAB165

extremis®

Tools for togetherness

**IMPORTANT! RETAIN FOR FUTURE
REFERENCE: READ CAREFULLY.**

**BELANGRIJK! LEES DIT DOCUMENT
AANDACHTIG EN BEWAAR HET VOOR
TOEKOMSTIGE RAADPLEGING!**

**WICHTIG! AUFHEBEN, UM SPÄTER
ETWAS NACHSEHEN ZU KÖNNEN:
SORGFÄLTIG DURCHLESEN!**

**IMPORTANT! LISEZ ATTENTIVEMENT
CE MANUEL ET CONSERVEZ-LE POUR
RÉFÉRENCE ULTÉRIEURE!**

**IMPORTANTE! CONSERVARE COME
RIFERIMENTO PER IL FUTURO:
LEGGERE ATTENTAMENTE!**

**¡IMPORTANTE! CONSÉRVELO PARA
FUTURA REFERENCIA: LÉALO
ATENTAMENTE!**

Table of contents

Mounting kit

5

Assembly Duo diamond with base

6

Assembly Duo diamond with permanent fixation

14

Assembly Duo diamond with floor fastening

16

Assembly Quattro diamond with base

34

Assembly Quattro diamond with permanent fixation

42

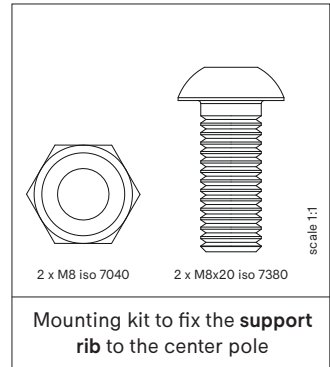
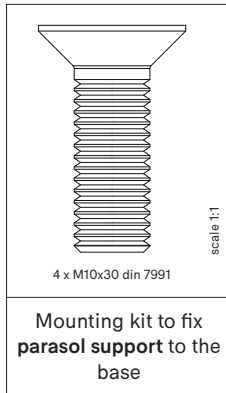
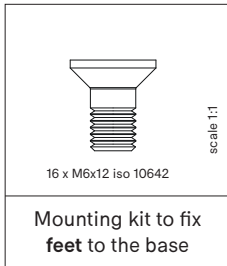
Assembly Quattro diamond with floor fastening

54

Warnings - Assembly text instructions - Maintenance

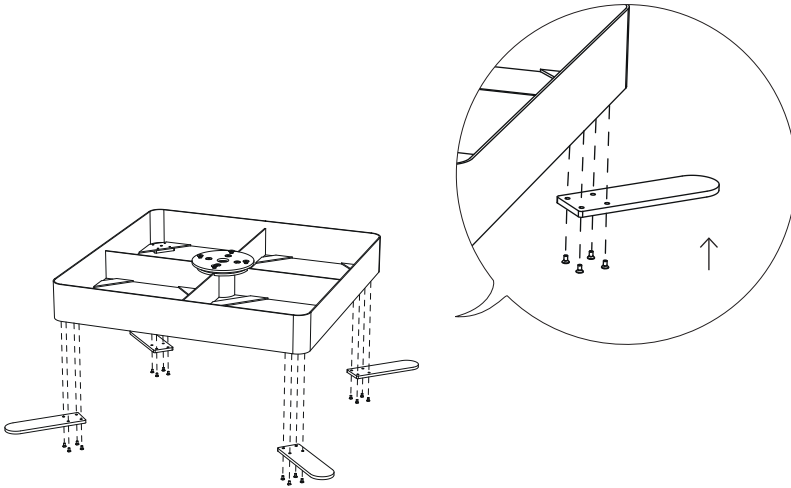
62

Mounting kit



Assembly duo diamond with base

1.



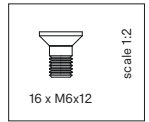
N° 4 - 5 - 6



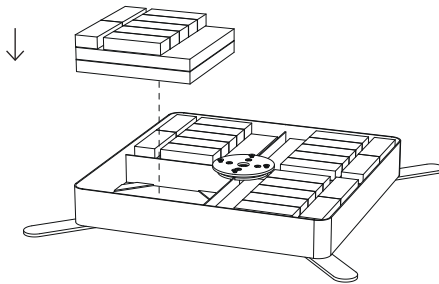
30'



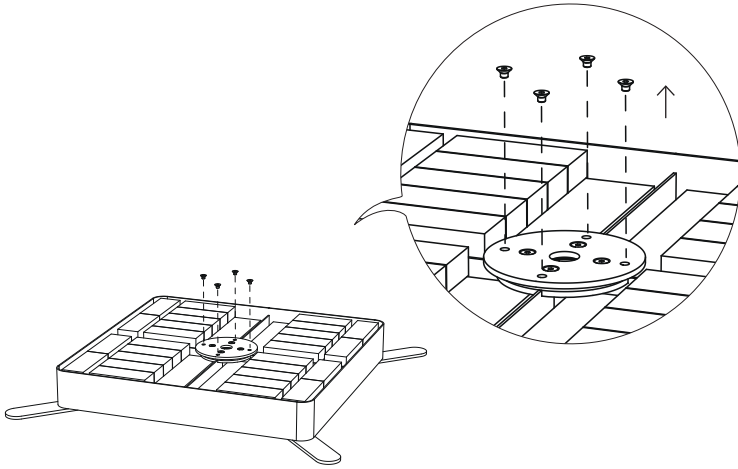
p 62



2.

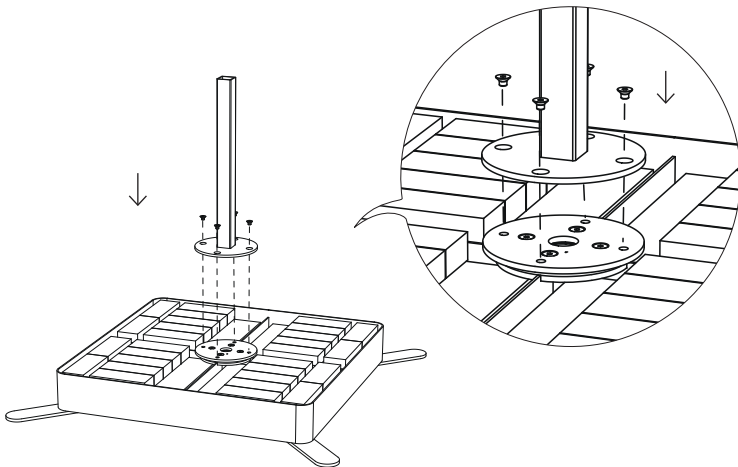


3.

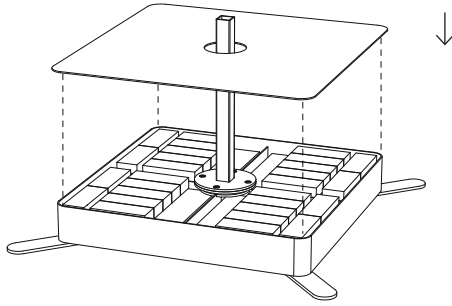


Remove the bolts but do not throw away, you need these again in step 4

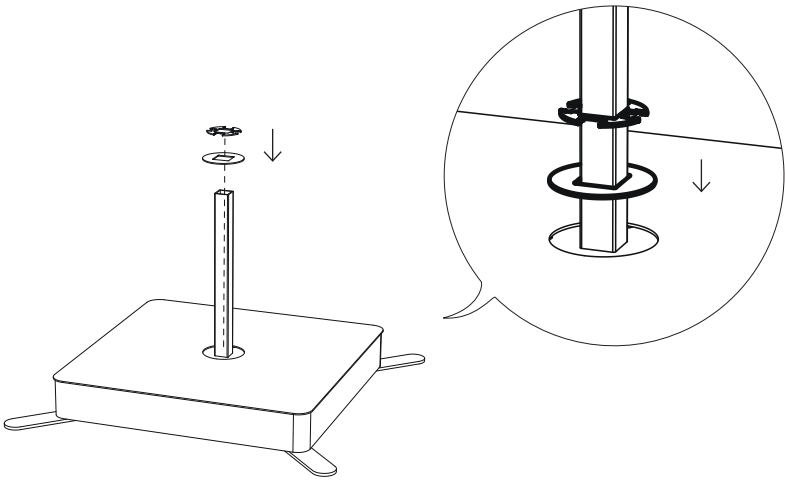
4.



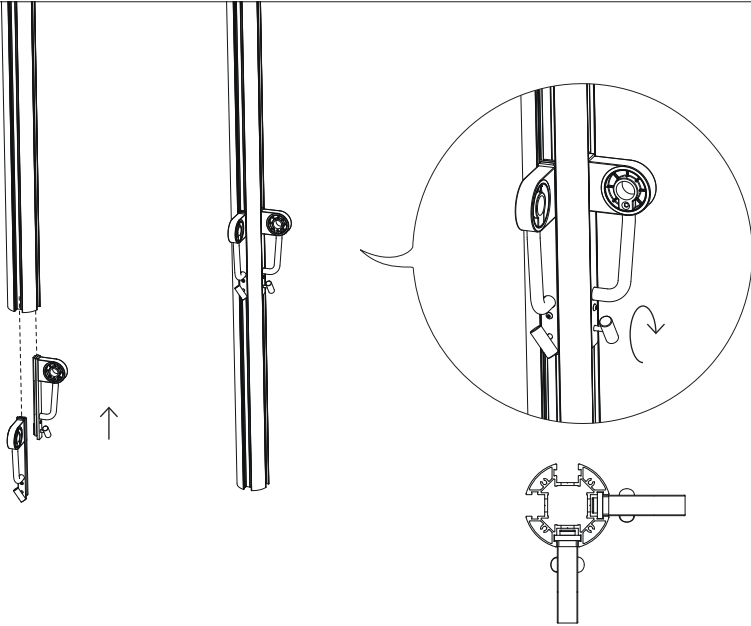
5.



6.

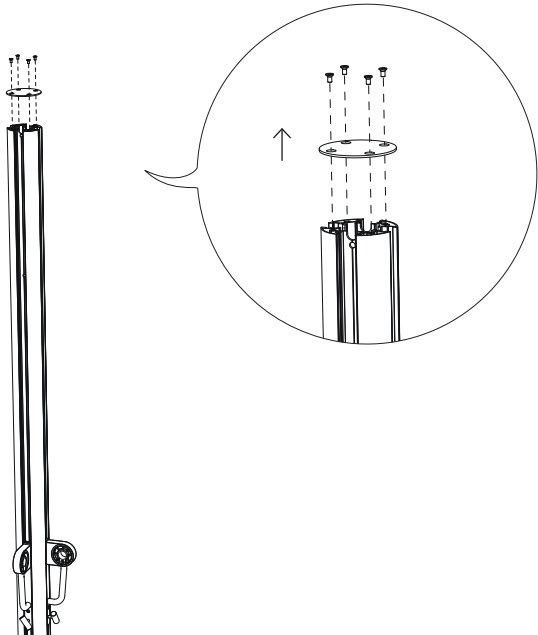


7.

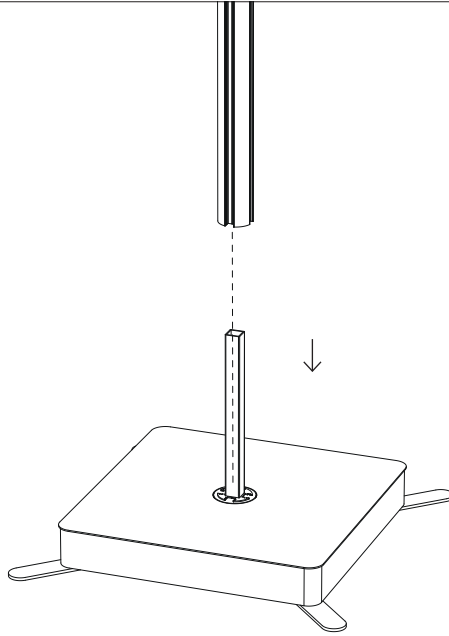


Insert & tighten the handles at +/- 1M height

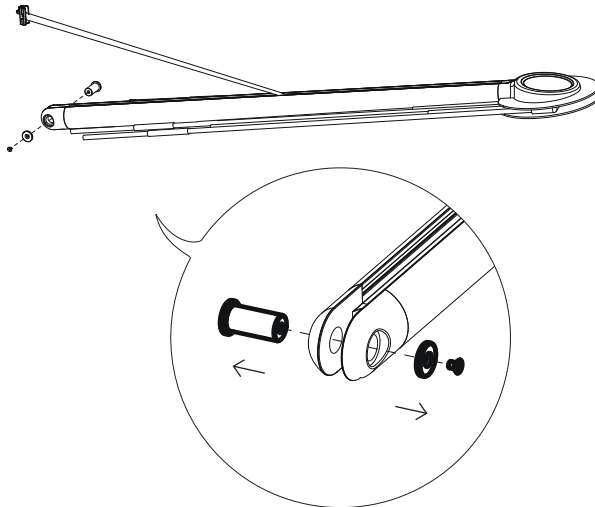
8.



9.

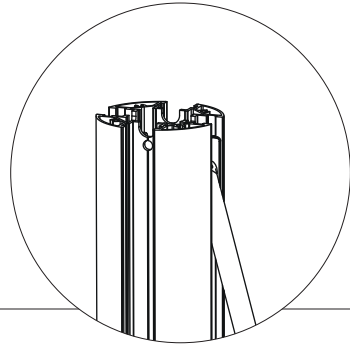
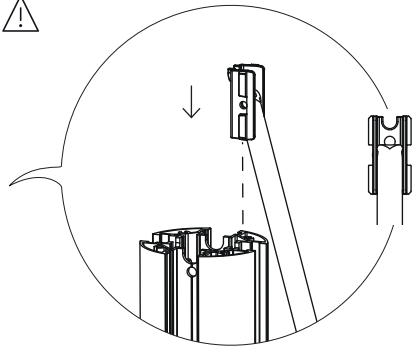
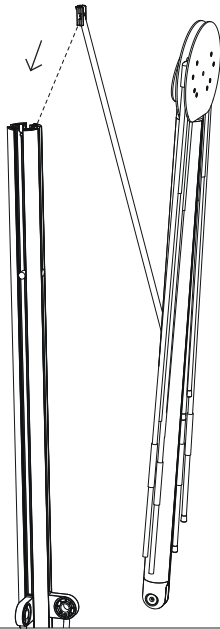


10.

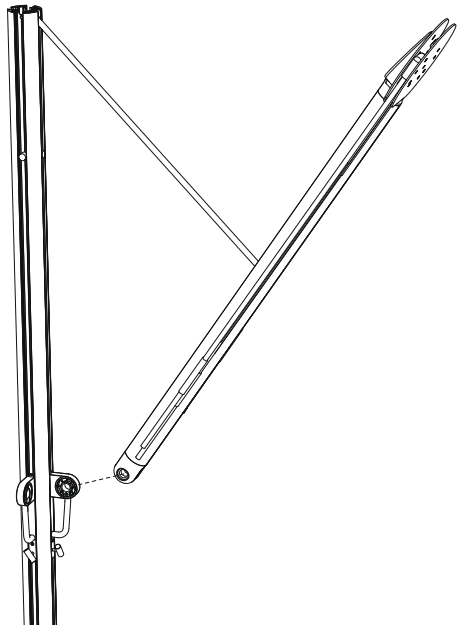
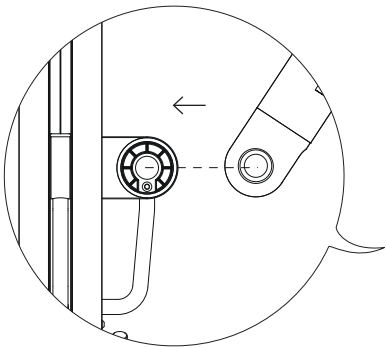


Remove the pre-mounted pin and bolt, and put aside

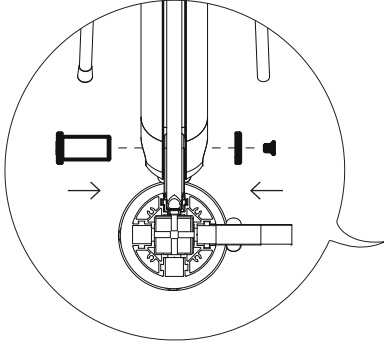
11. Make sure the pin stays in position 



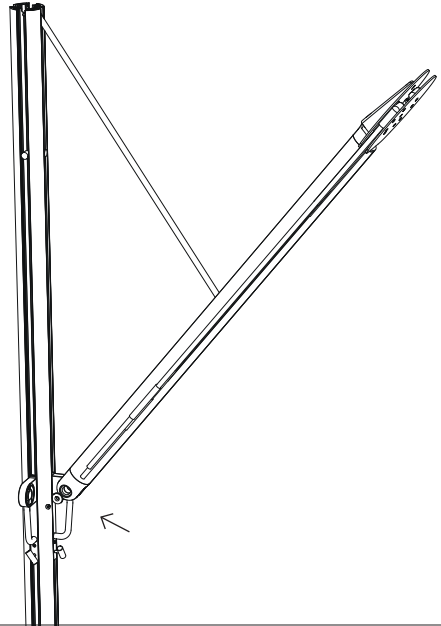
12.



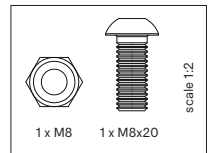
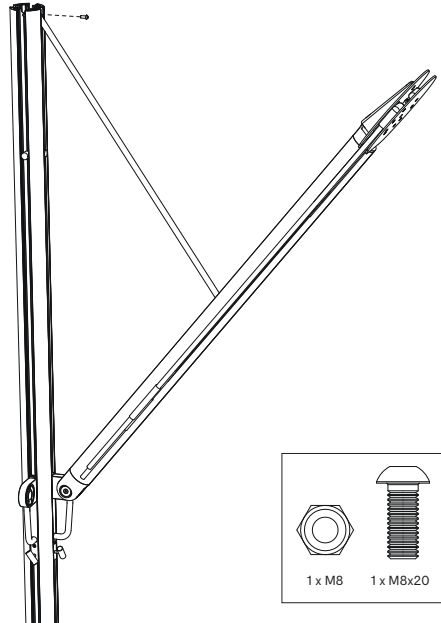
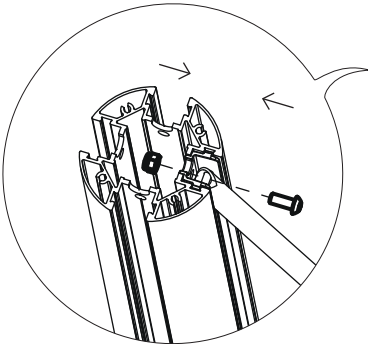
13.



Re-mount the pin and bolt



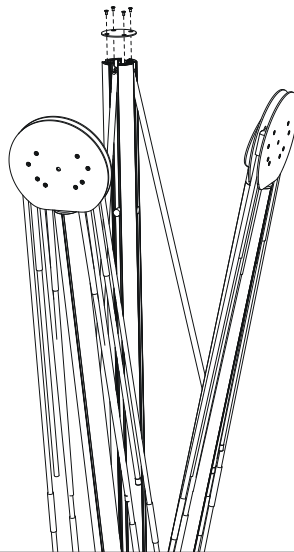
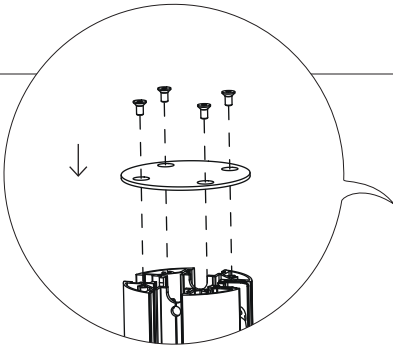
14.



15.

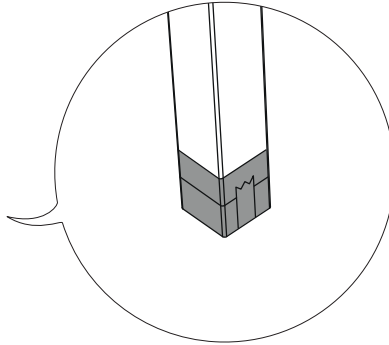
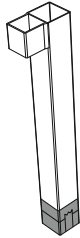
Repeat steps 10 - 14 for the other parasol arm

16.



Assembly duo diamond with permanent fixation

1.



N° 4 - 5 - 6



N° 13



45'

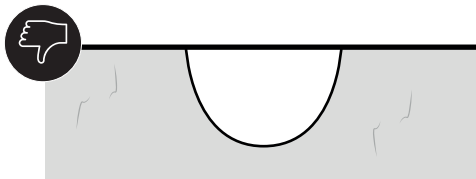
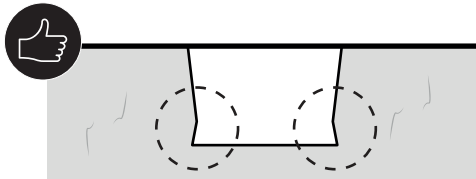


p 63

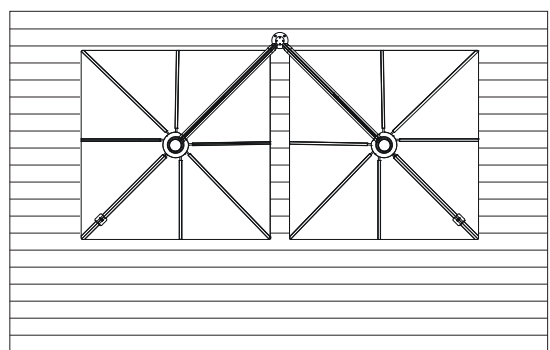
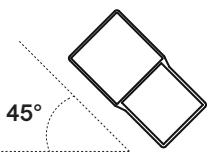
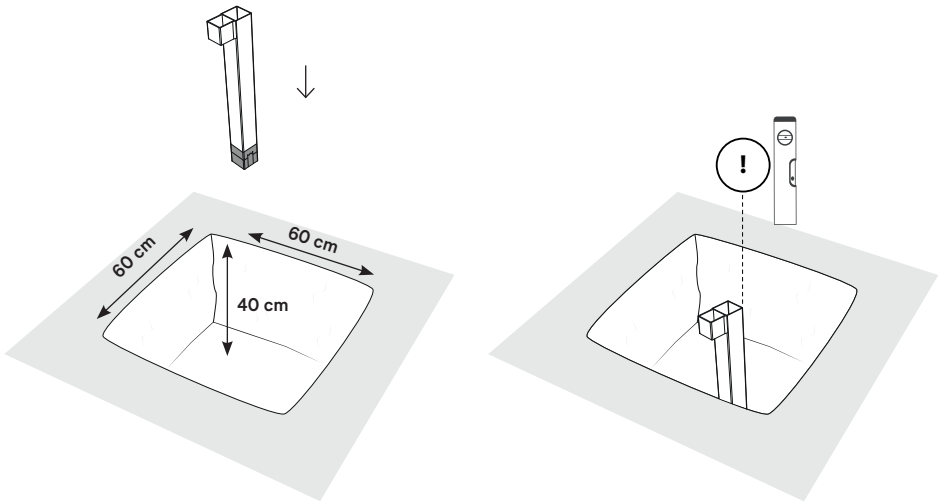


Use tape to close the bottom side of the tube

2.

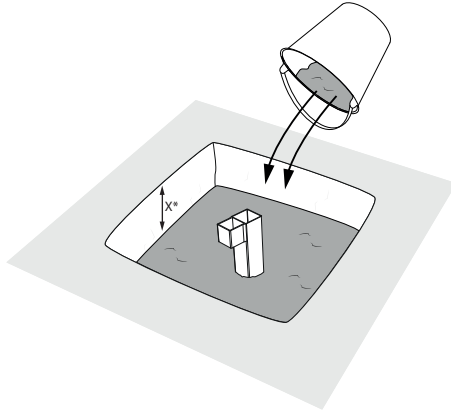


3.



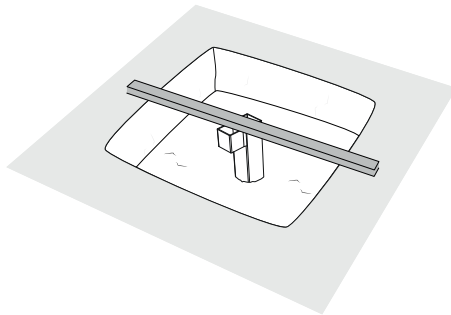
If you put the tube rotated on 45°, your parasol will be parallel to your terrace shape

4.

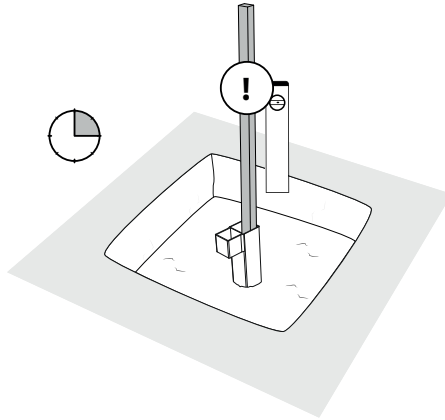


	 GRASS	 GRAVEL	 H + TILES
 X*	10 cm	4 cm	= H

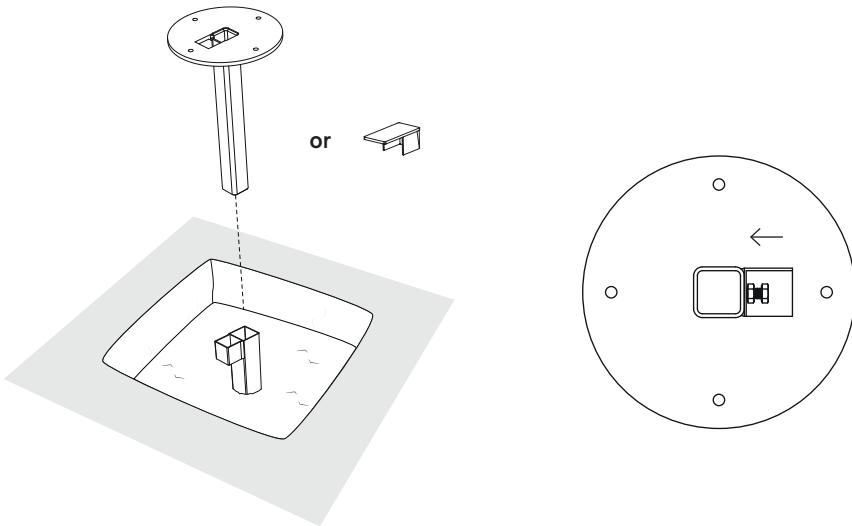
5.



6.

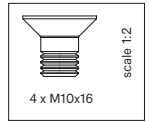
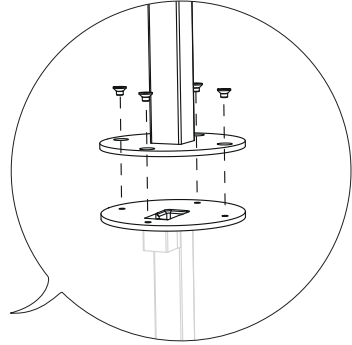
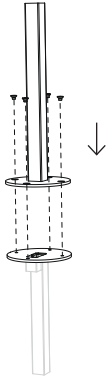


7.

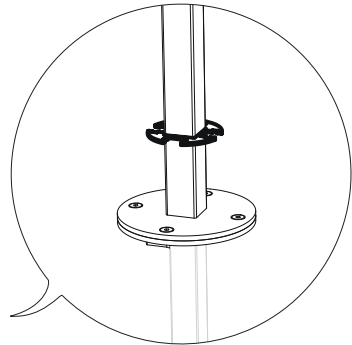
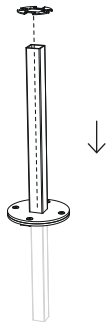


Insert the support and tighten the bolt

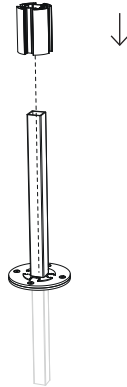
8.



9.

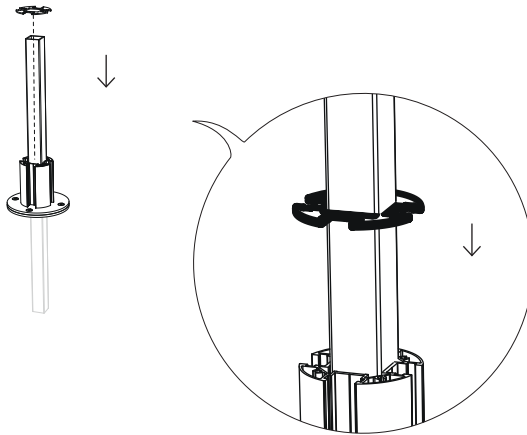


10.

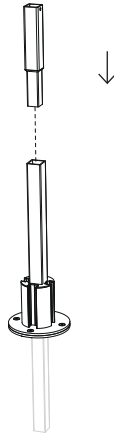


In case you prefer using the pole extension, first follow steps 10 - 12

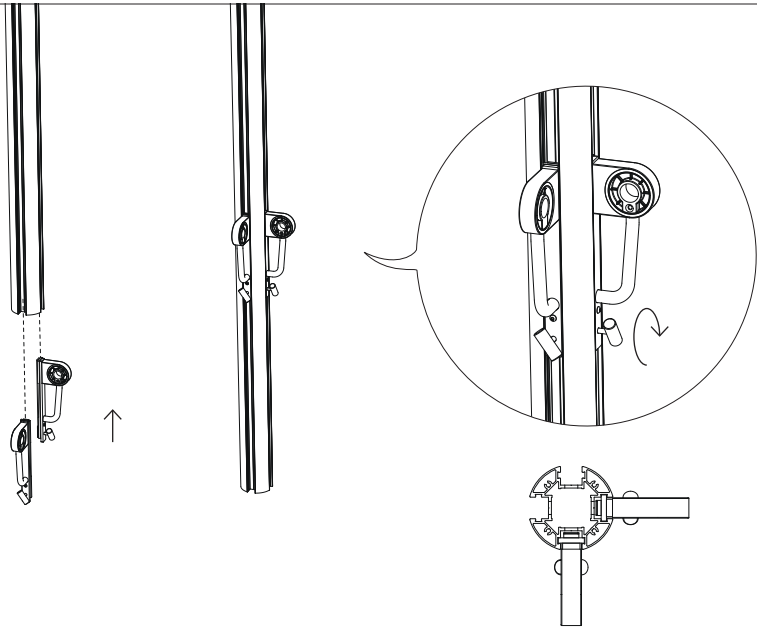
11.



12.

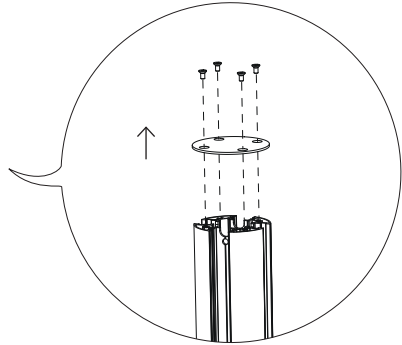


13.

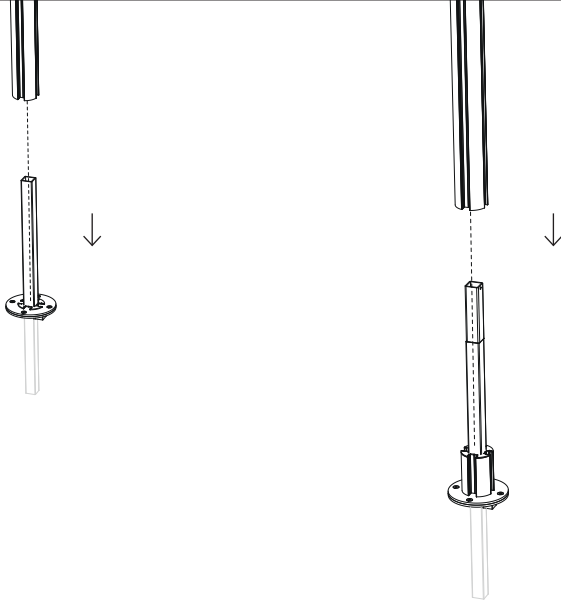


Insert & tighten the handles at +/- 1M height

14.



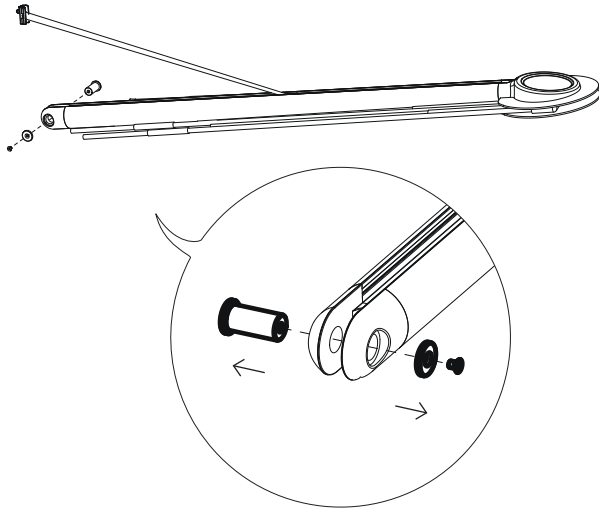
15.



Without pole extension

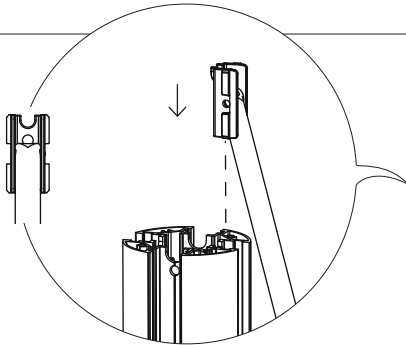
With pole extension


16.

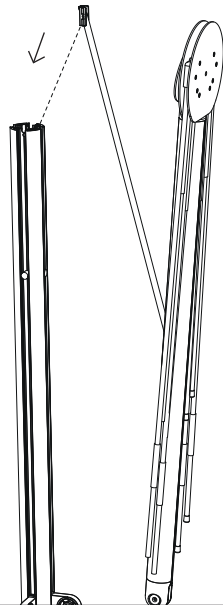
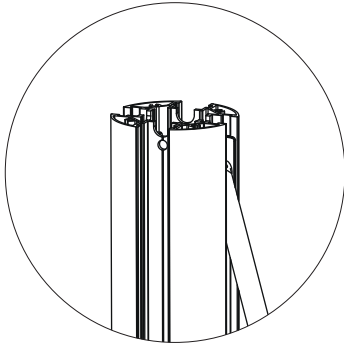


Remove the pre-mounted pin and bolt, and put aside

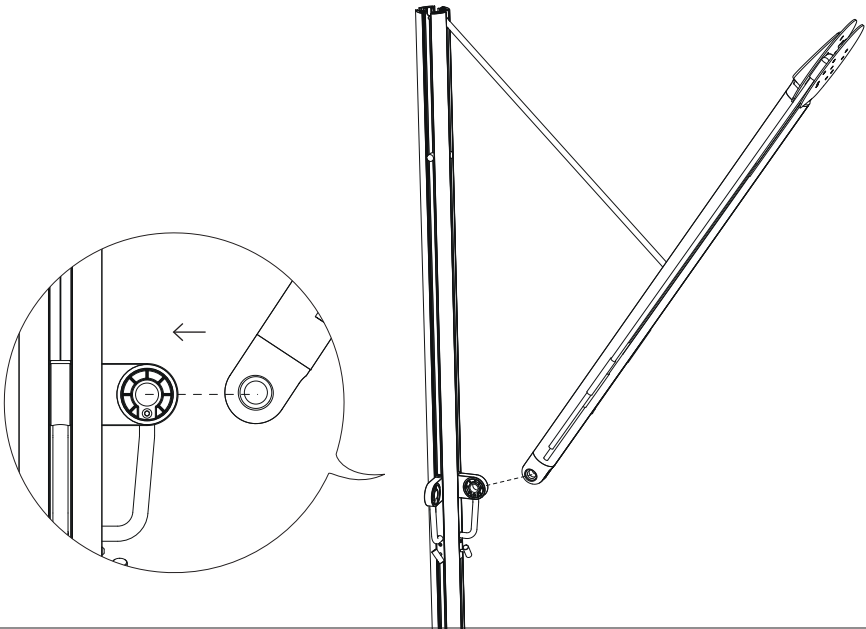
17.



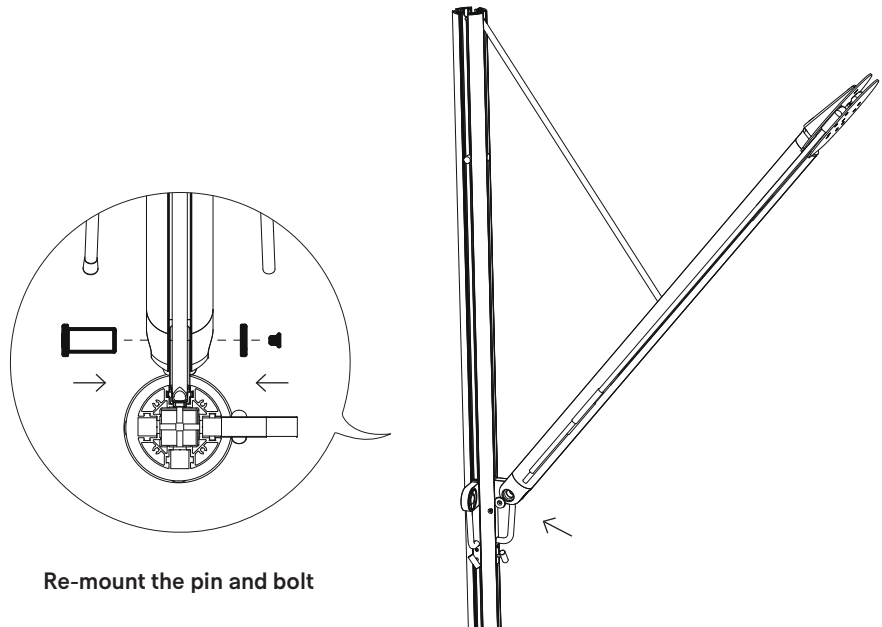
Make sure the pin stays in position 



18.

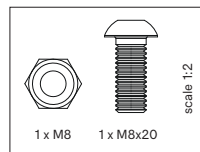
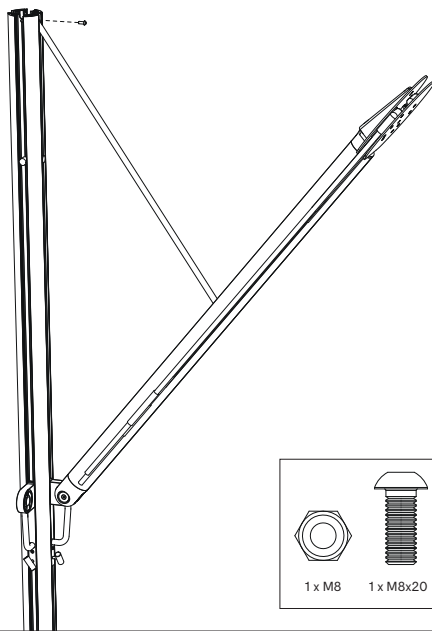
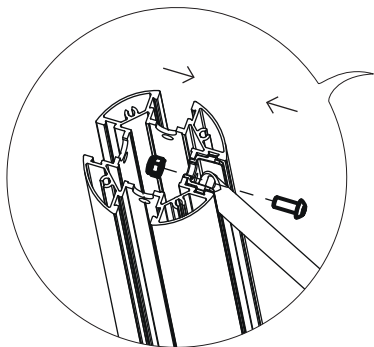


19.



Re-mount the pin and bolt

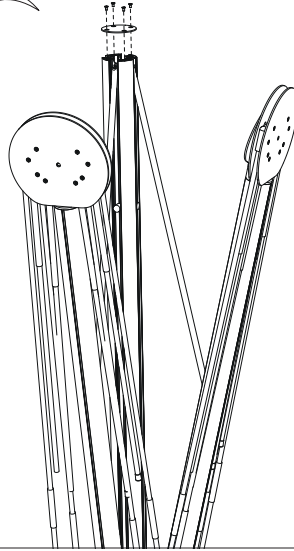
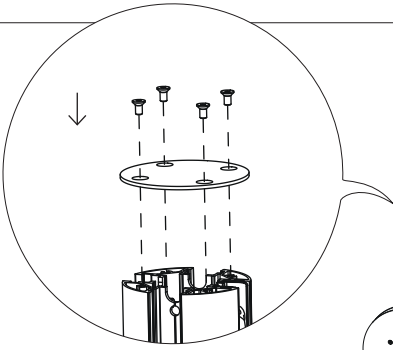
20.



21.

Repeat steps 16 - 20 for the other parasol arm

22.



Assembly duo diamond with floor fastening

1.



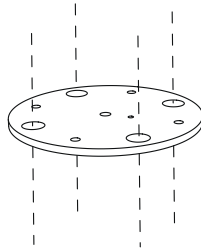
N° 4 - 5 - 6



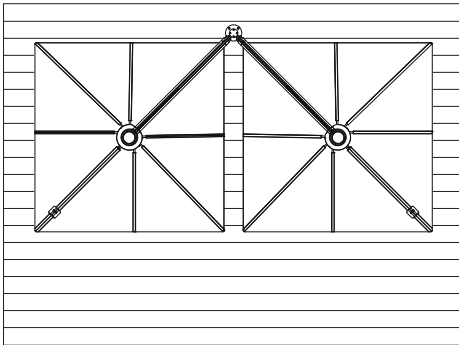
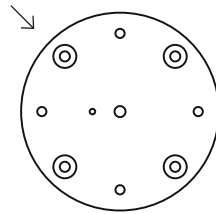
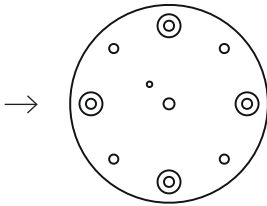
30'



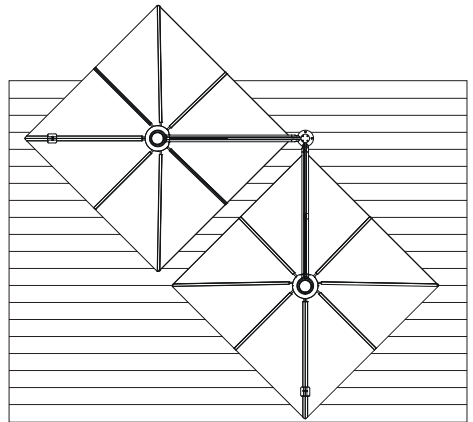
p 63



Fix the base plate to the ground

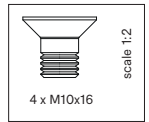
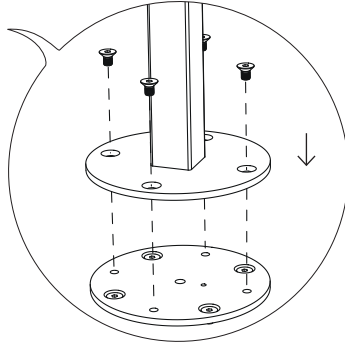
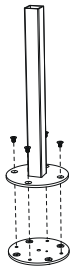


Make sure the base plate is fixed to the floor as shown above, if you want your parasol parallel to your terrace

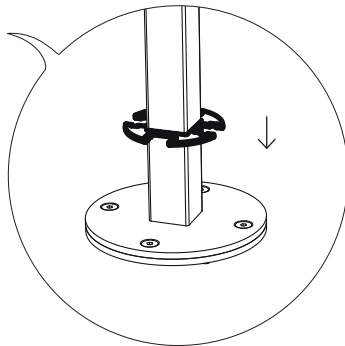
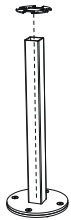


Make sure the base plate is fixed to the floor as shown above, if you want your parasol 45° rotated to your terrace

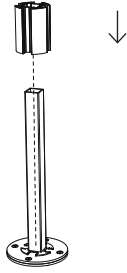
2.



4.

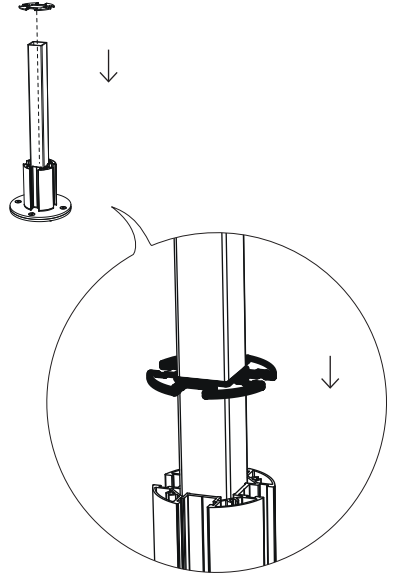


4.

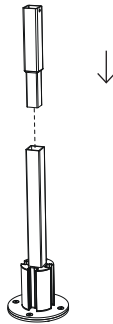


In case you prefer using the pole extension, first follow steps 4 - 6

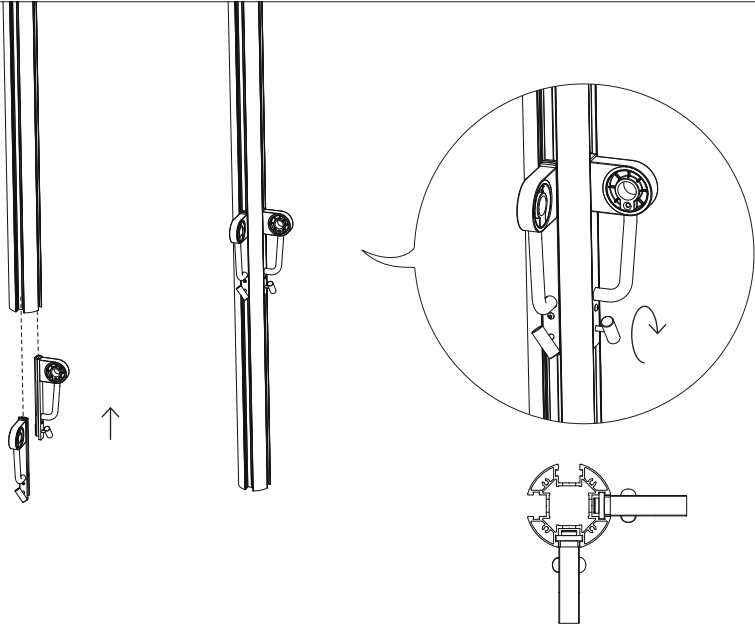
5.



6.

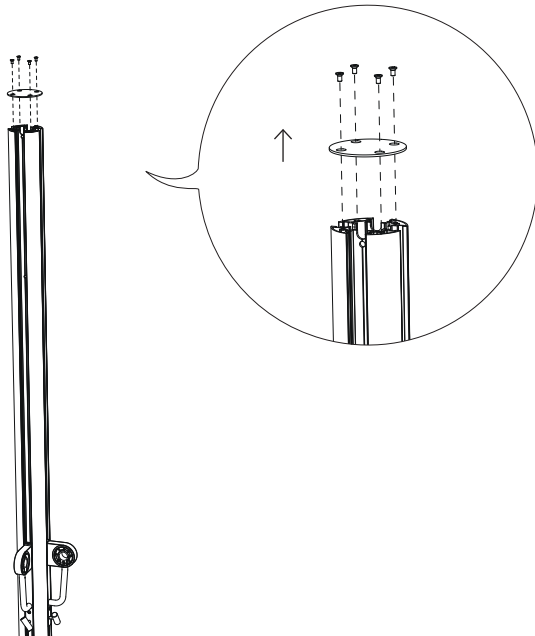


7.

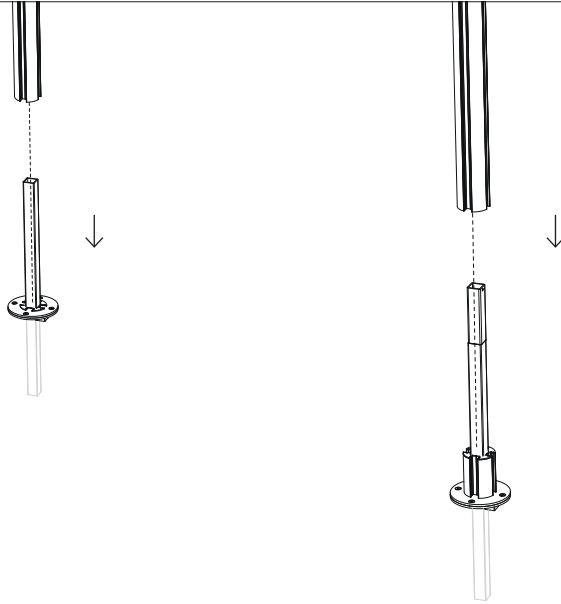


Insert & tighten the handles at +/- 1M height

8.



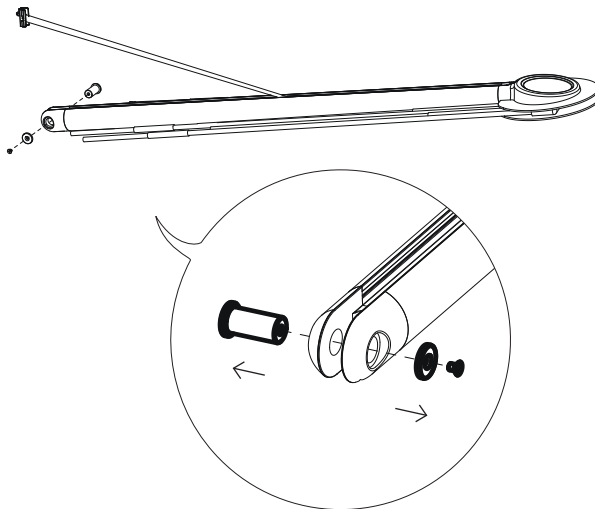
9.



Without pole extension

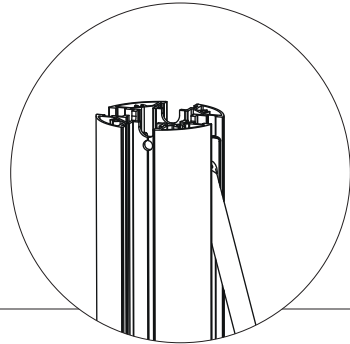
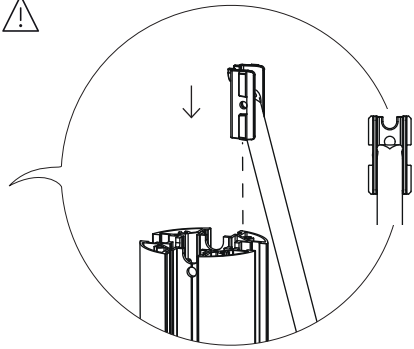
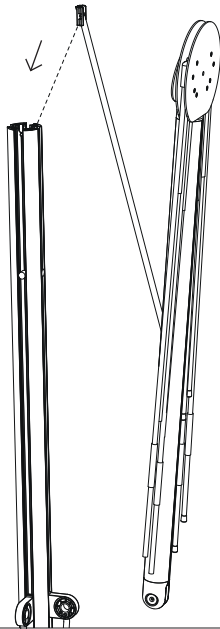
With pole extension

10.

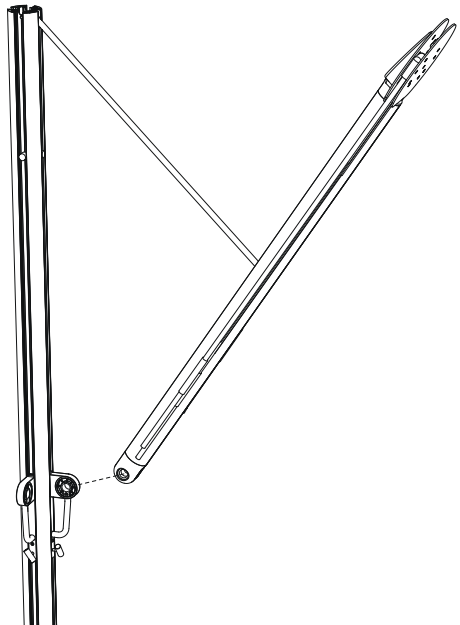
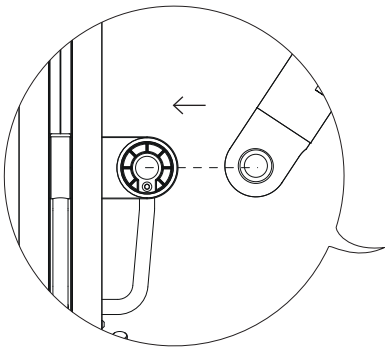


Remove the pre-mounted pin and bolt, and put aside

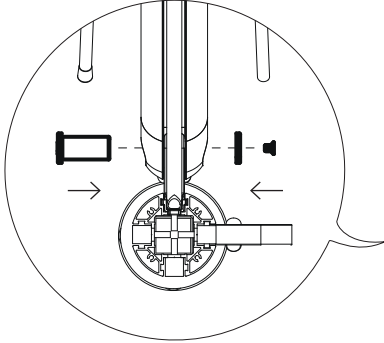
11. Make sure the pin stays in position 



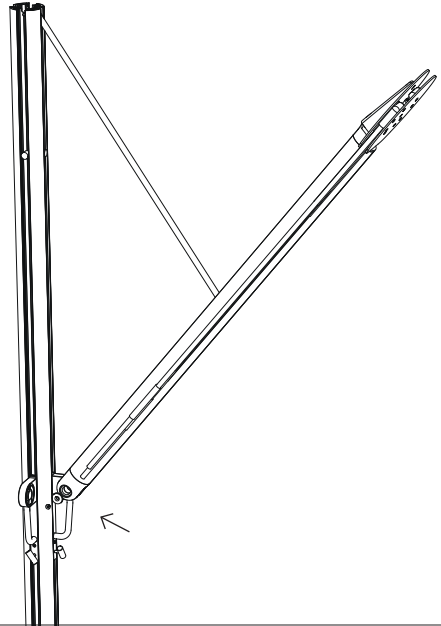
12.



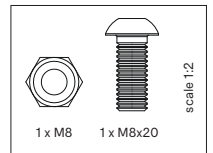
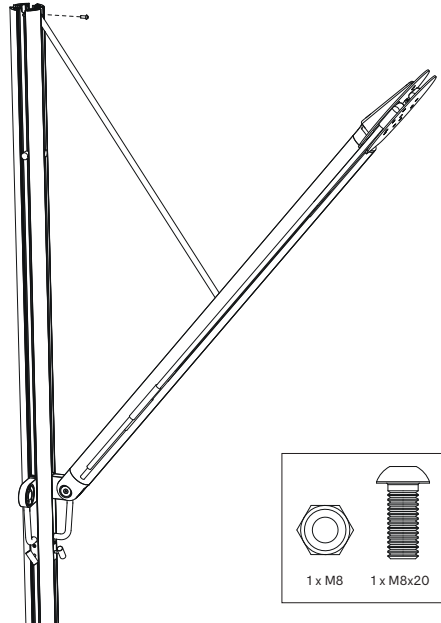
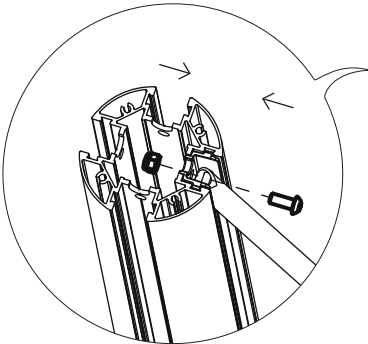
13.



Re-mount the pin and bolt



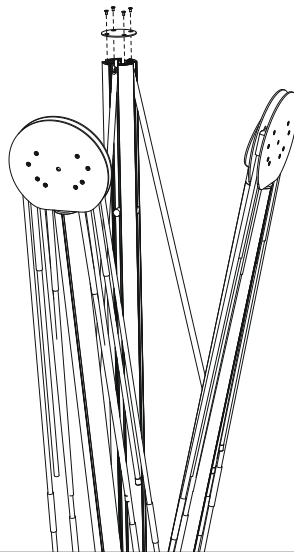
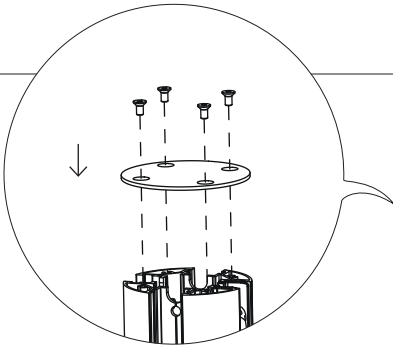
14.



15.

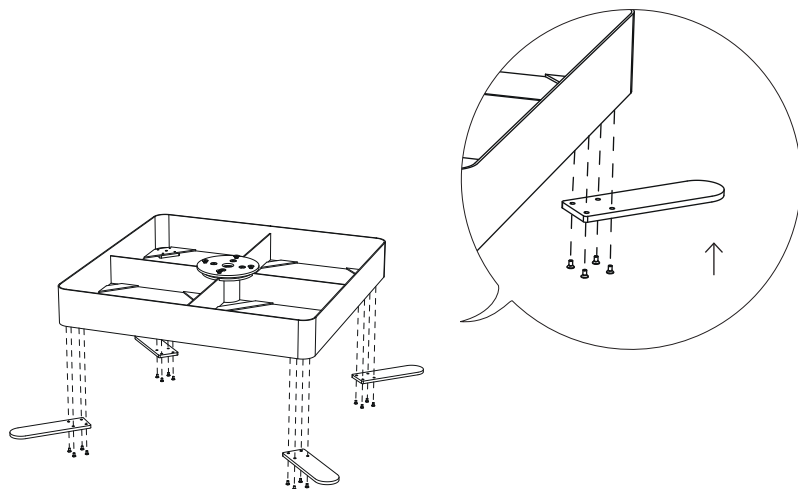
Repeat steps 10 - 14 for the other parasol arm

16.



Assembly quattro diamond with base

1.

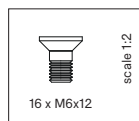


N° 4 - 5 - 6

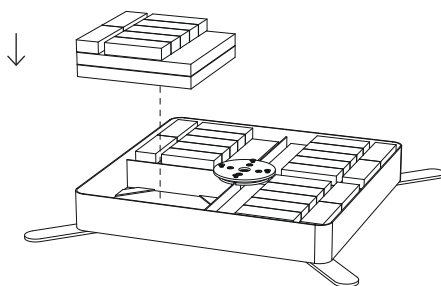


45'

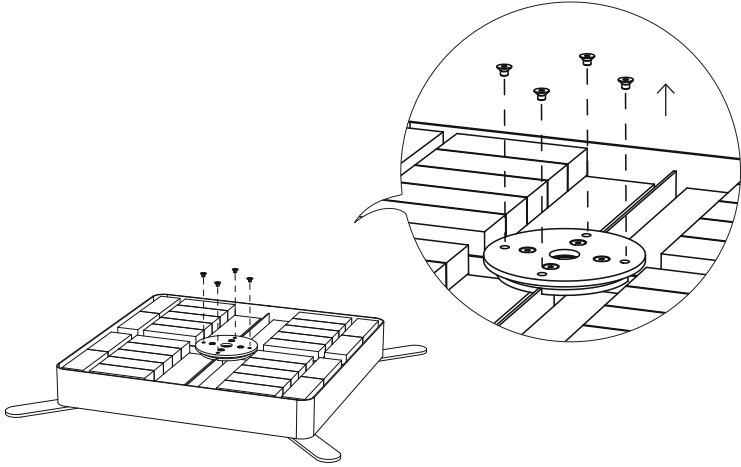
p 62



2.

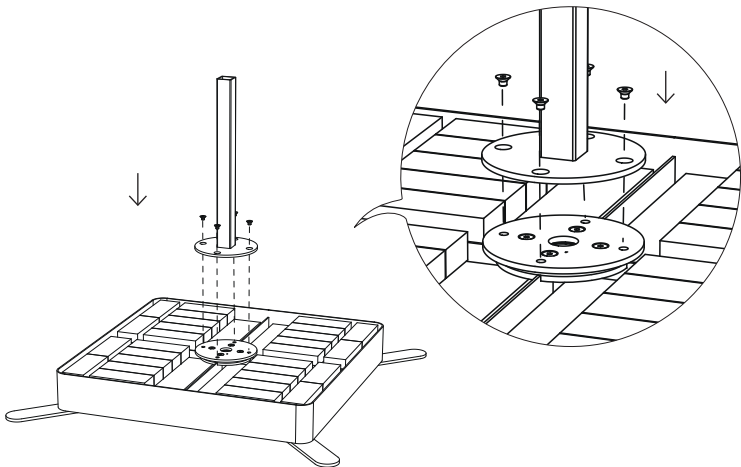


3.

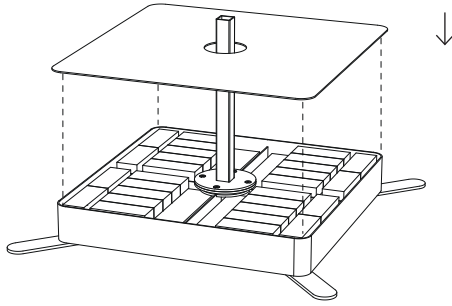


Remove the bolts but do not throw away, you need these again in step 4

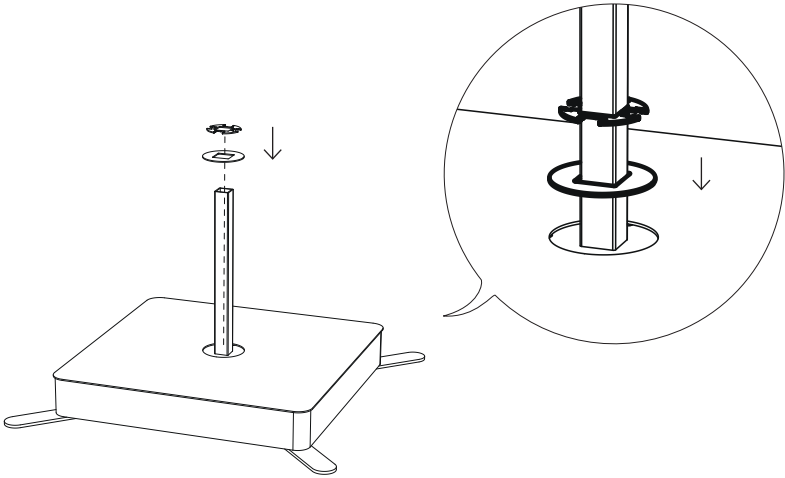
4.



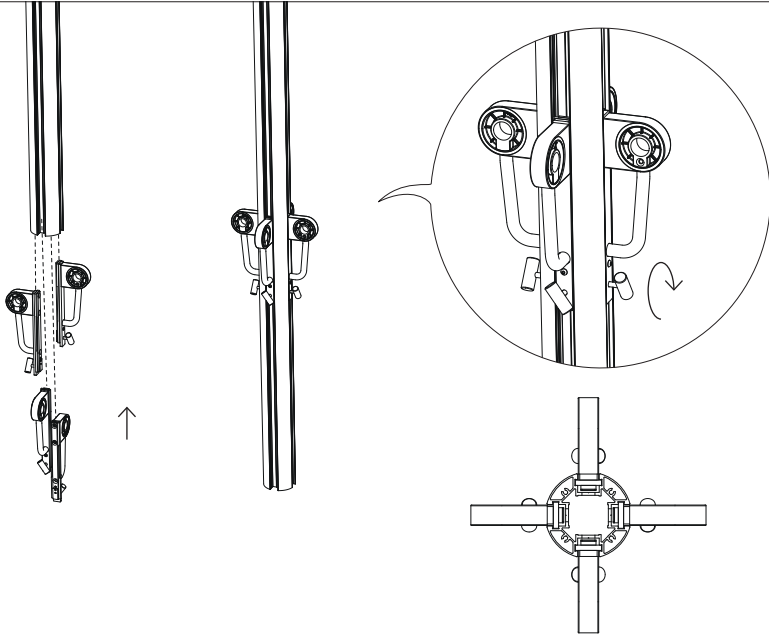
5.



6.

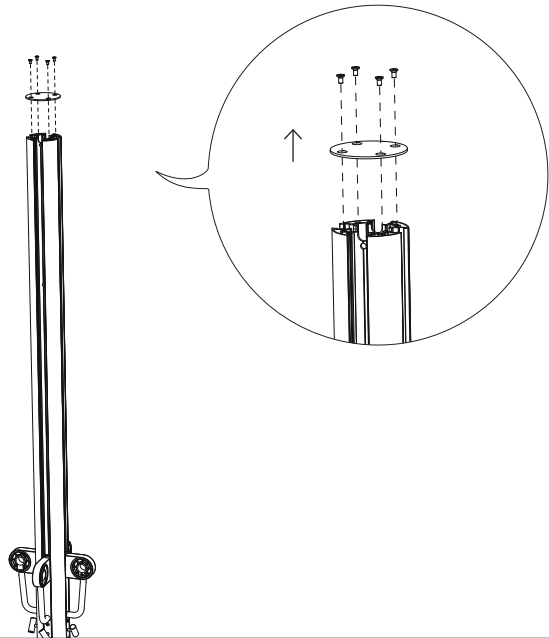


7.

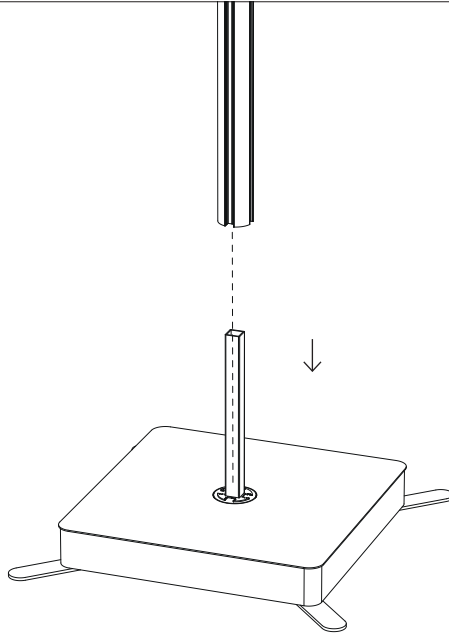


Insert & tighten the handles at +/- 1M height

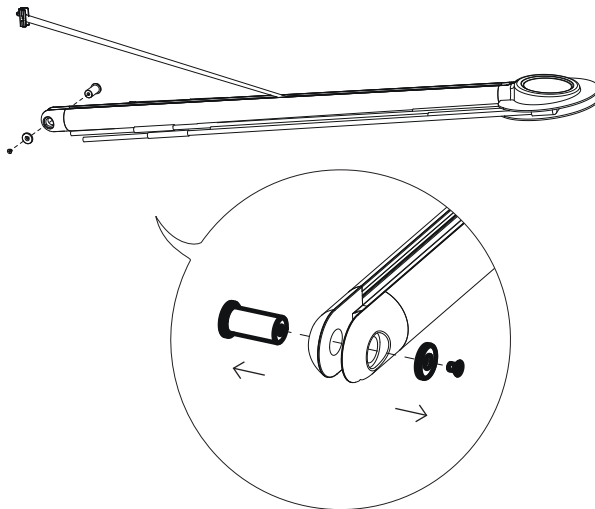
8.



9.

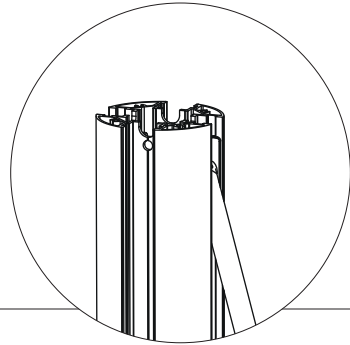
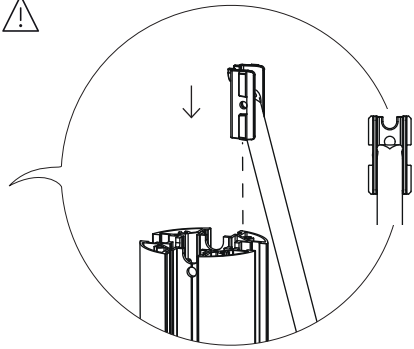
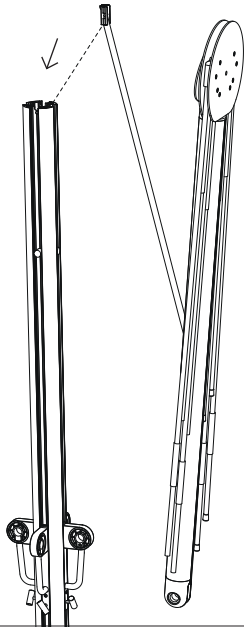


10.

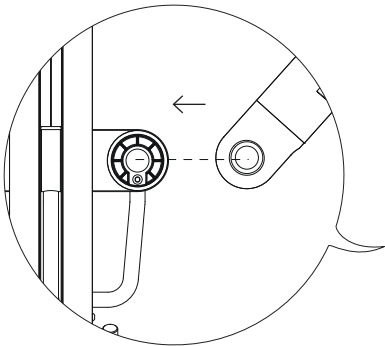
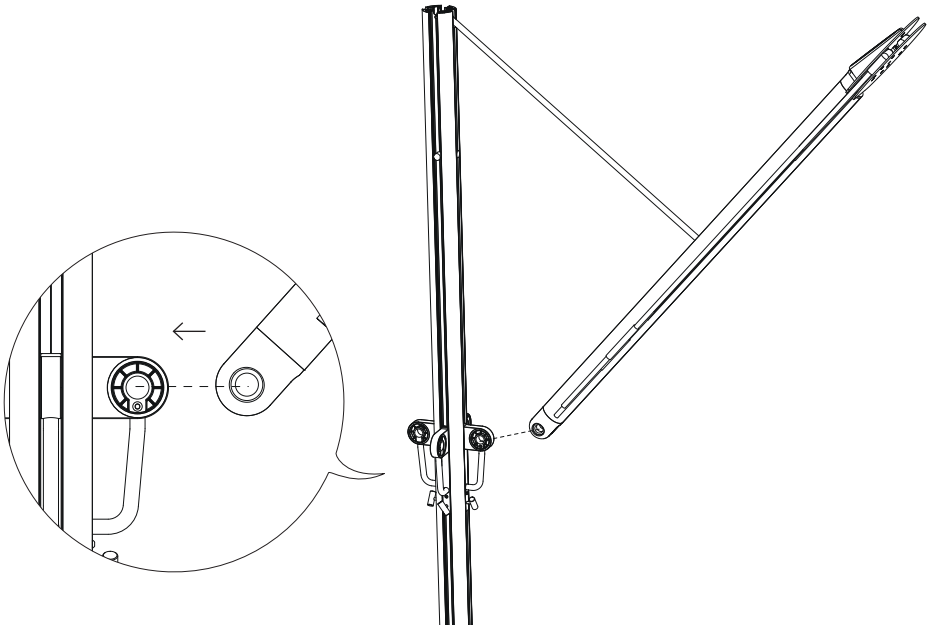


Remove the pre-mounted pin and bolt, and put aside

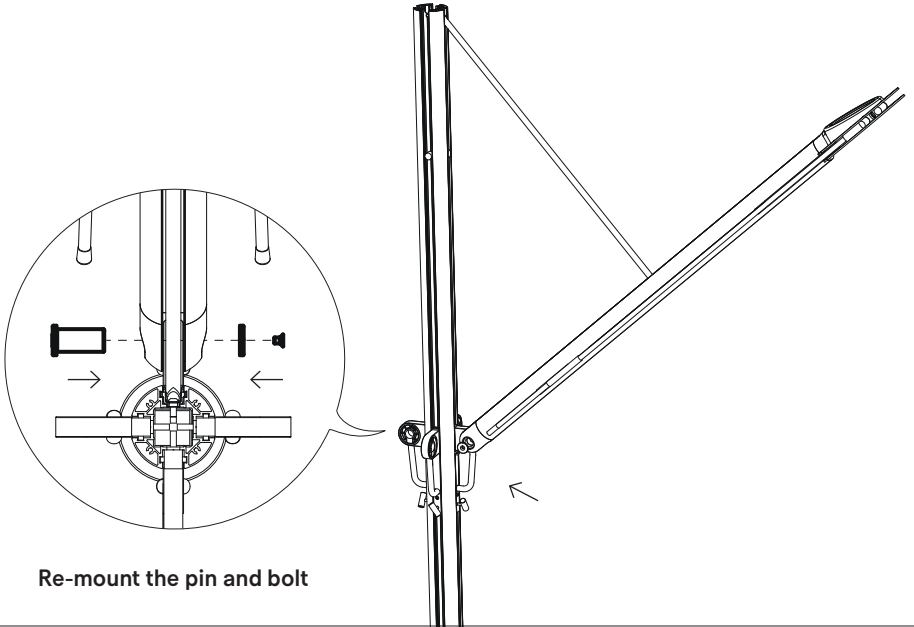
11. Make sure the pin stays in position 



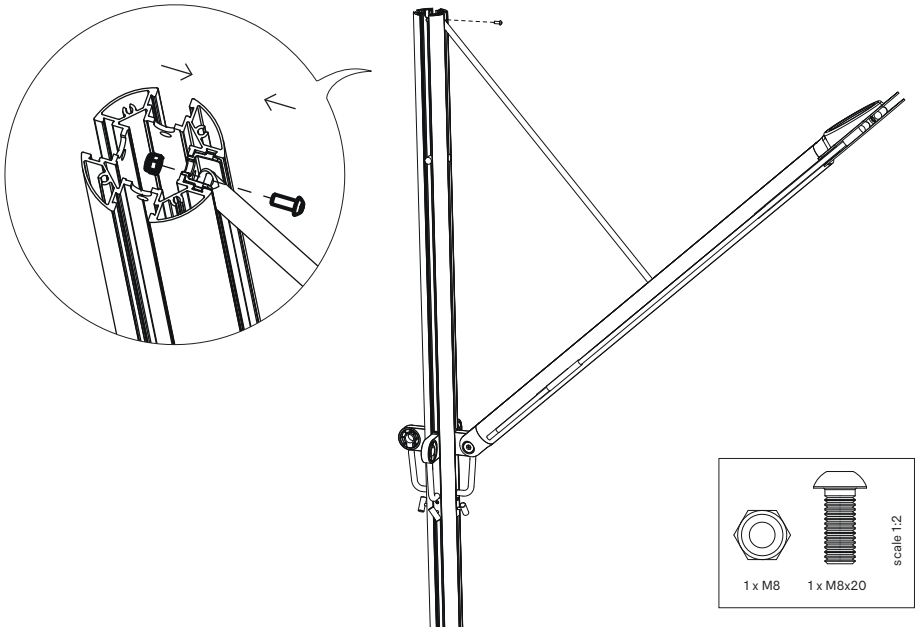
12.



13.



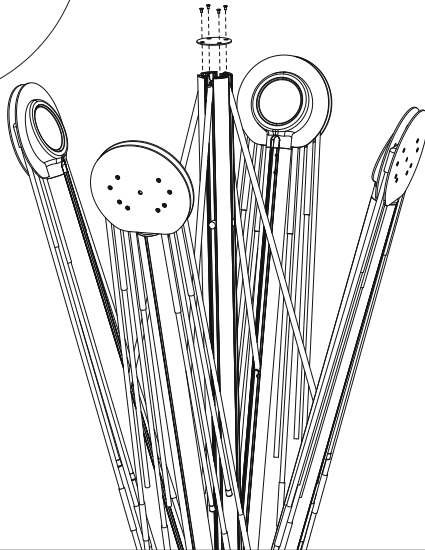
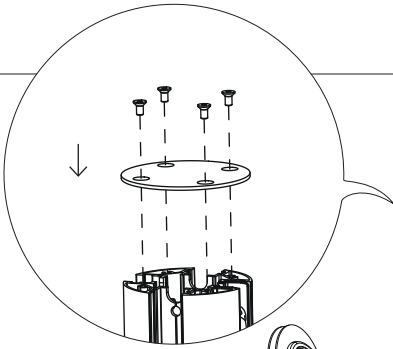
14.



15.

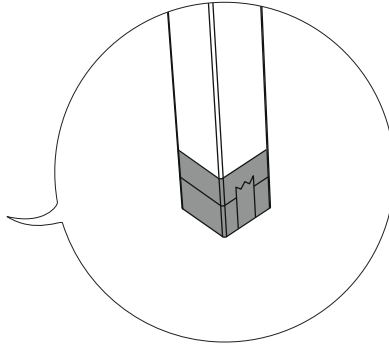
Repeat steps 10 - 14 for the other parasol arm

16.



Assembly quattro diamond with permanent fixation

1.



N° 4 - 5 - 6



N° 13



60'

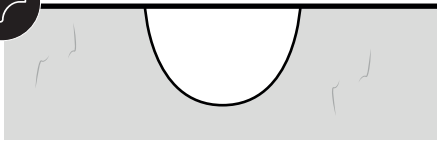
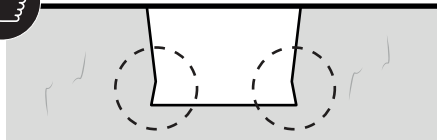


p 63

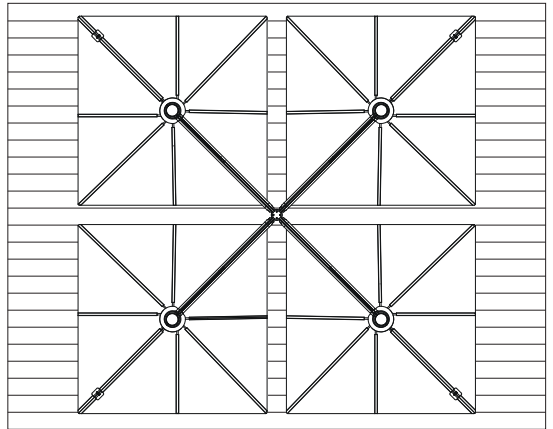
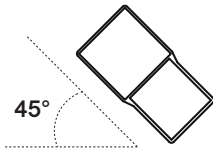
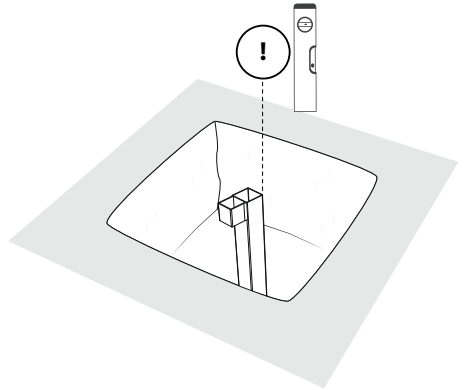
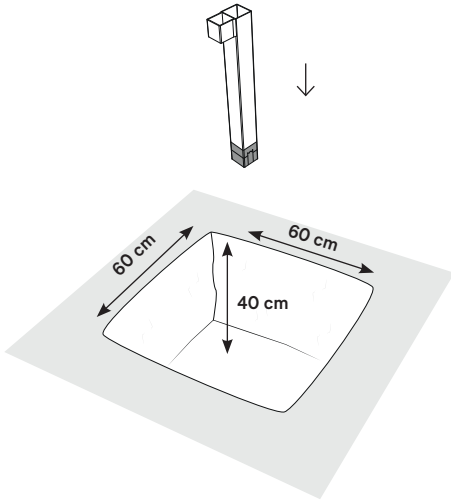


Use tape to close the bottom side of the tube

2.

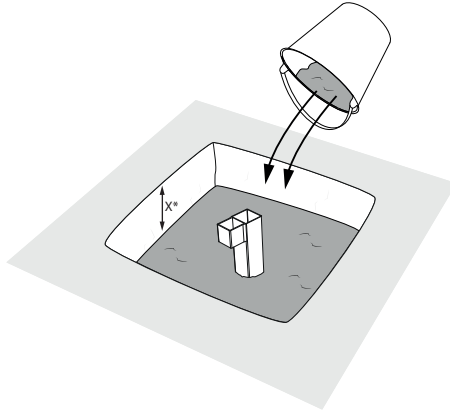


3.



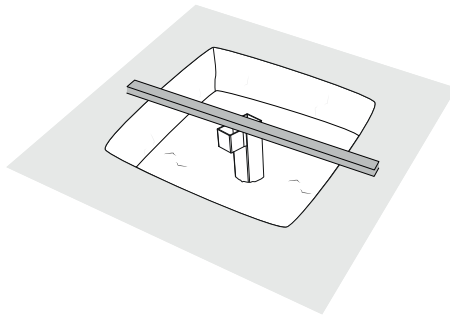
If you put the tube rotated on 45°, your parasol will be parallel to your terrace shape

4.

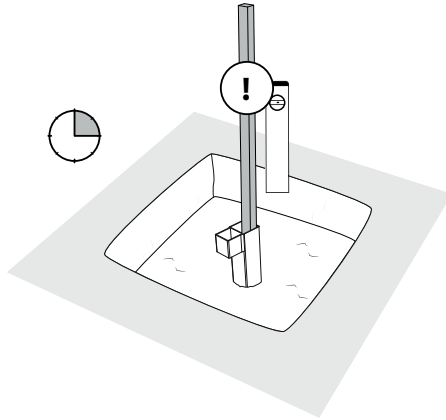


	 GRASS	 GRAVEL	 H + TILES
 X*	10 cm	4 cm	= H

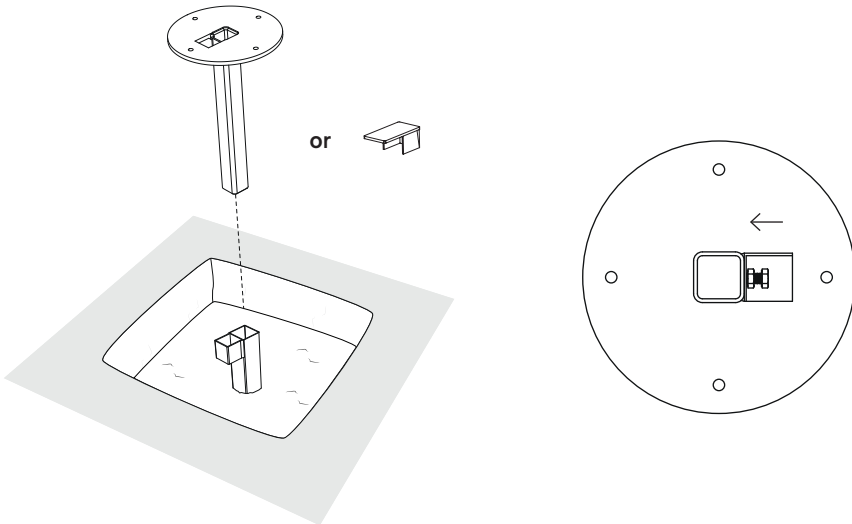
5.



6.

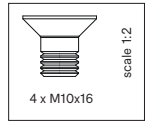
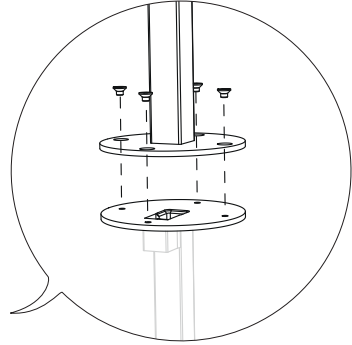
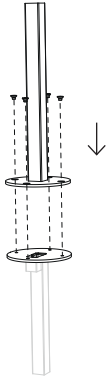


7.

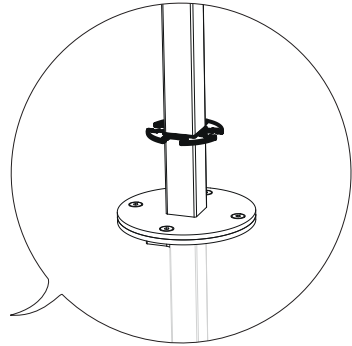
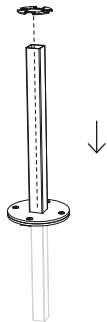


Insert the support and tighten the bolt

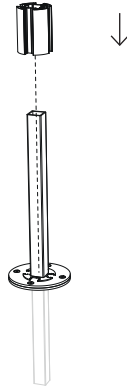
8.



9.

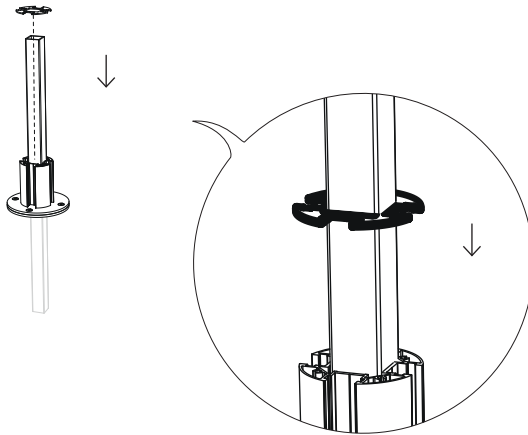


10.

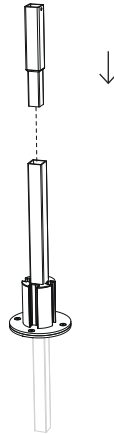


In case you prefer using the pole extension, first follow steps 10 - 12

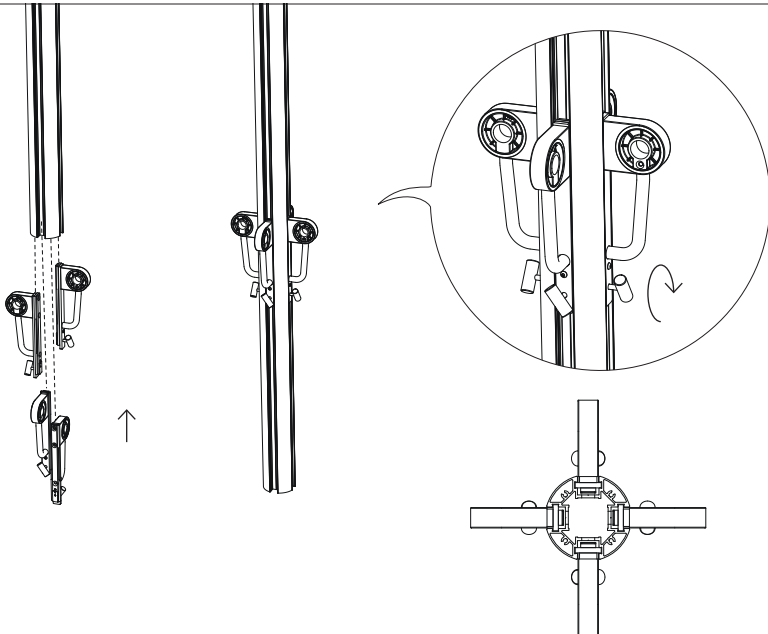
11.



12.

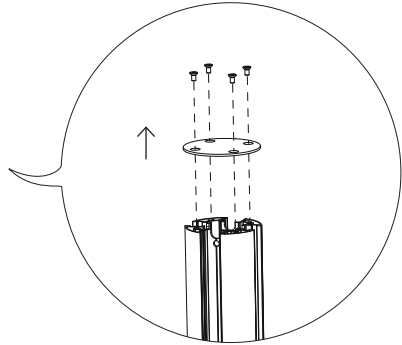


13.



Insert & tighten the handles at +/- 1M height

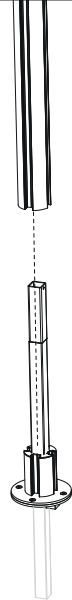
14.



15.

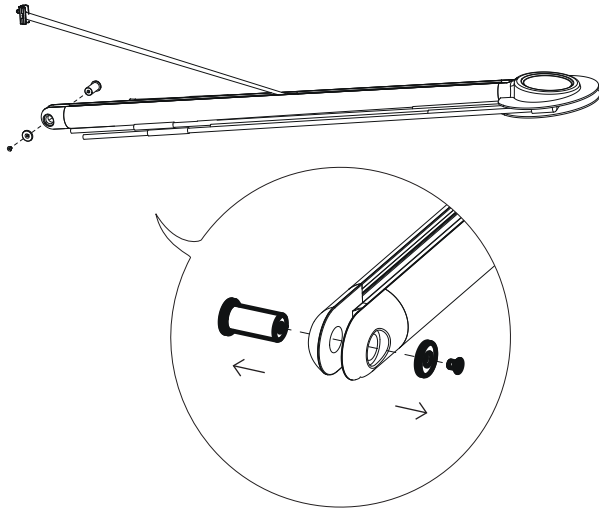


Without pole extension



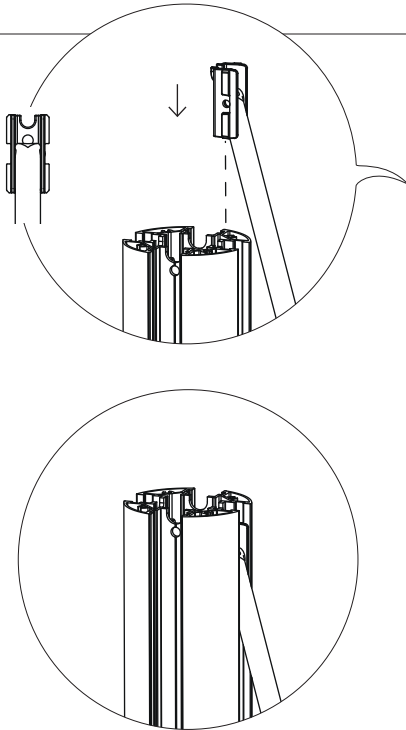
With pole extension


16.

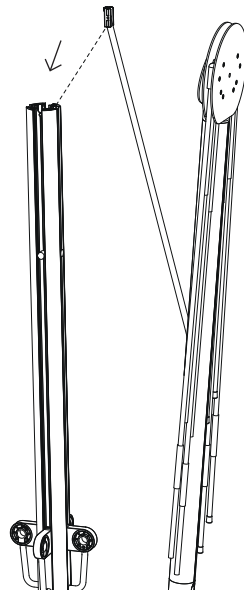


Remove the pre-mounted pin and bolt, and put aside

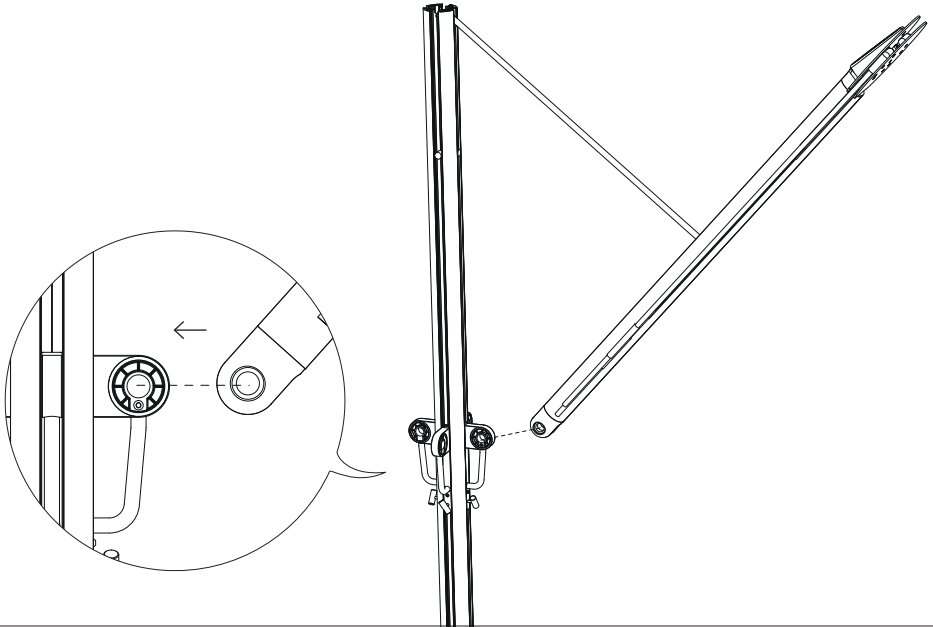
17.



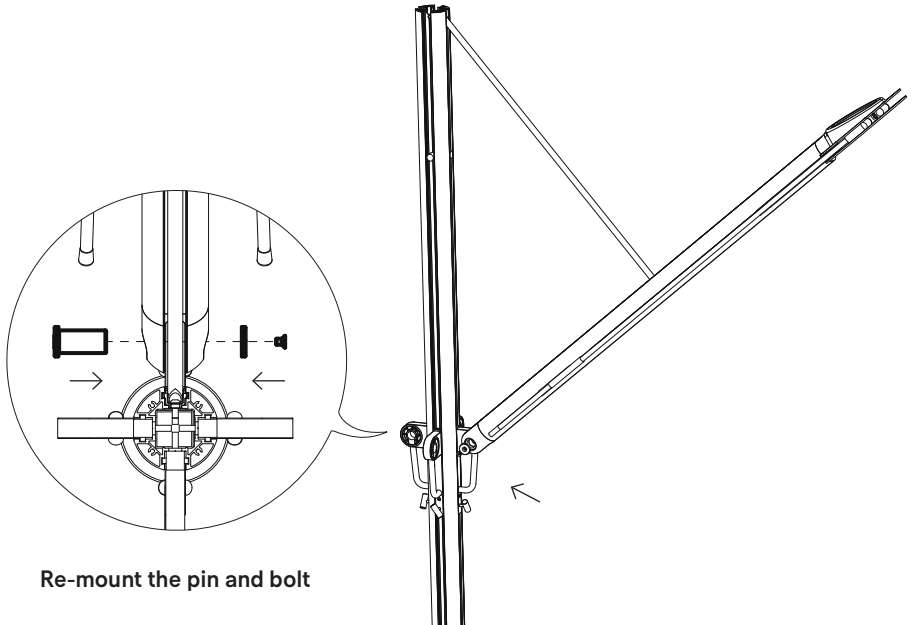
Make sure the pin stays in position 



18.

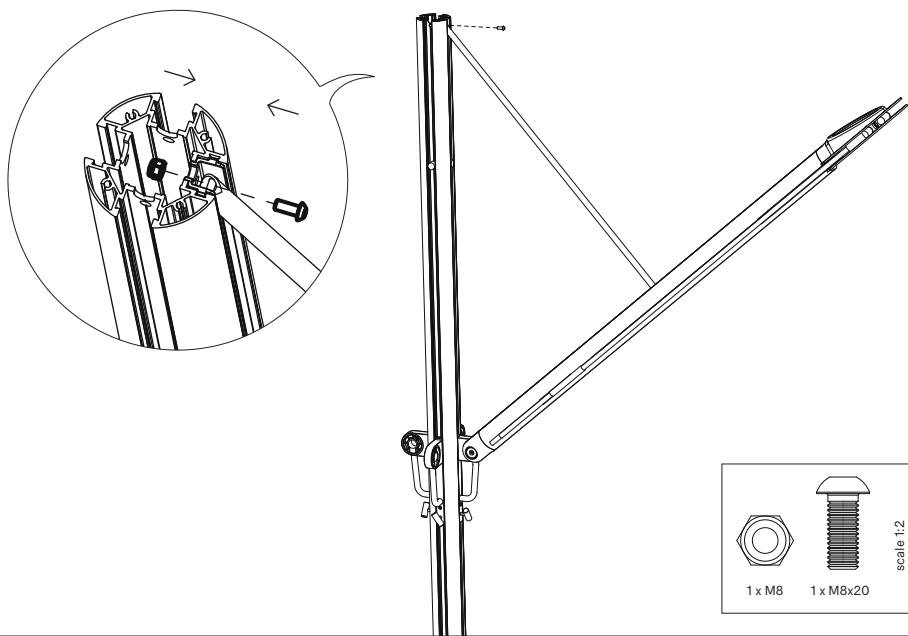


19.



Re-mount the pin and bolt

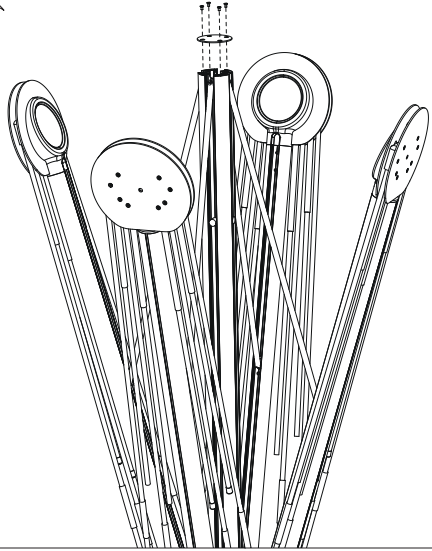
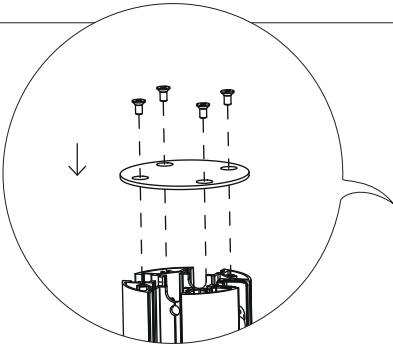
20.



21.

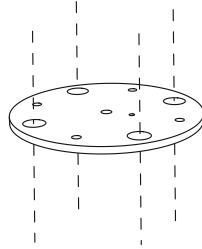
Repeat steps 16 - 20 for the other parasol arm

22.



Assembly quattro diamond with floor fastening

1.



N° 4 - 5 - 6

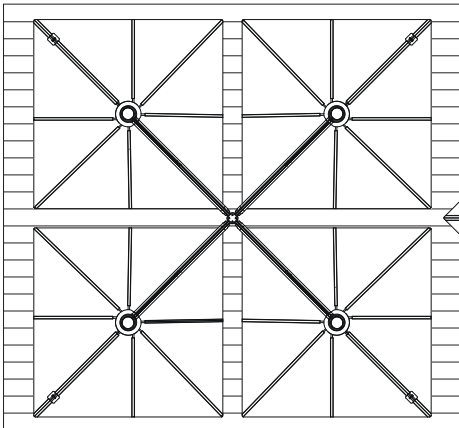
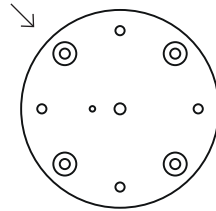
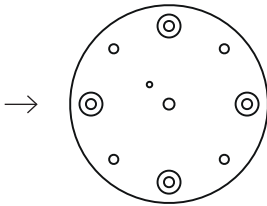


45'

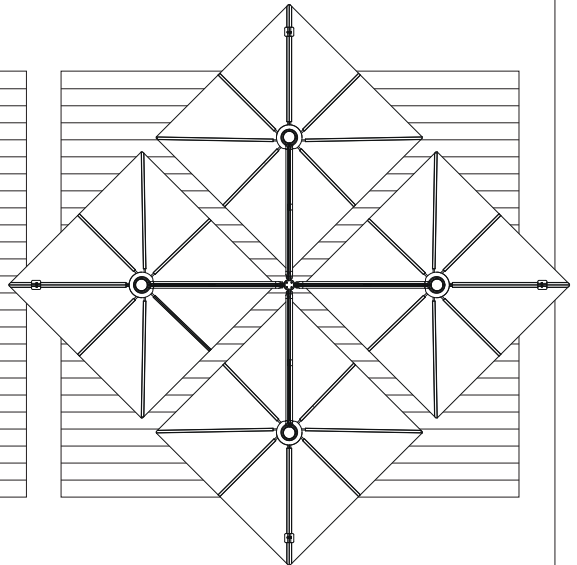


p 63

Fix the base plate to the ground

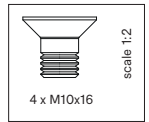
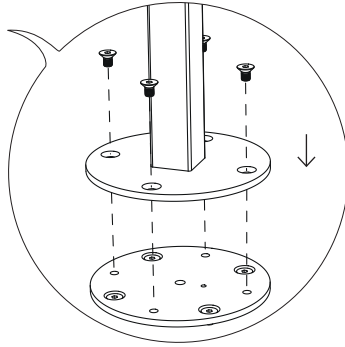
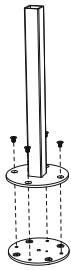


Make sure the base plate is fixed to the floor as shown above, if you want your parasol parallel to your terrace

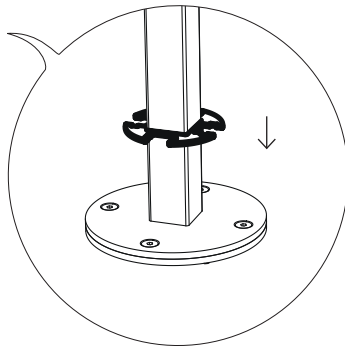
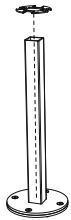


Make sure the base plate is fixed to the floor as shown above, if you want your parasol 45° rotated to your terrace

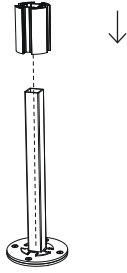
2.



4.

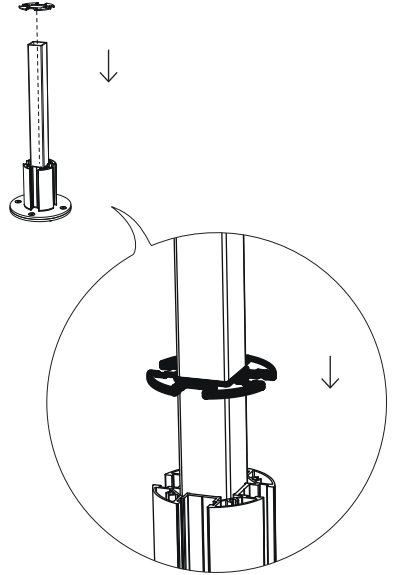


4.

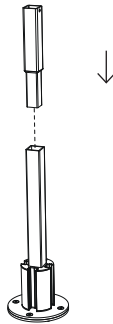


In case you prefer using the pole extension, first follow steps 4 - 6

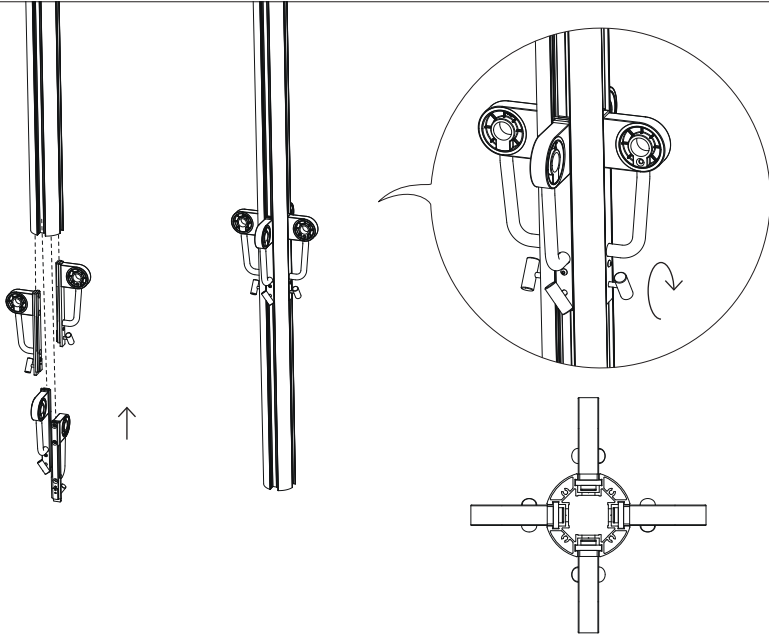
5.



6.

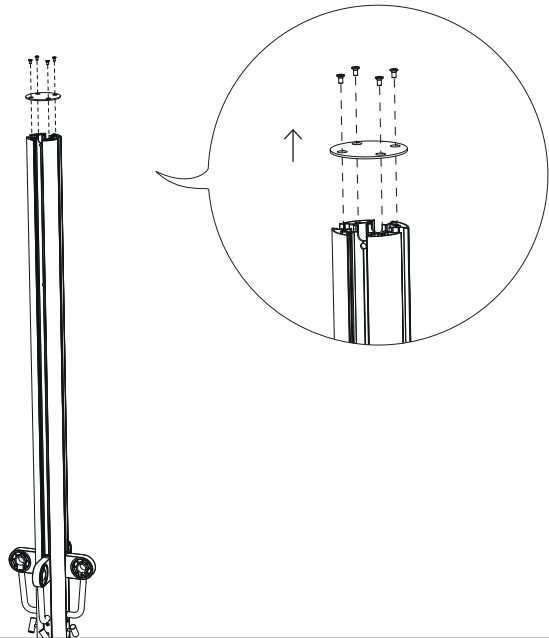


7.



Insert & tighten the handles at +/- 1M height

8.



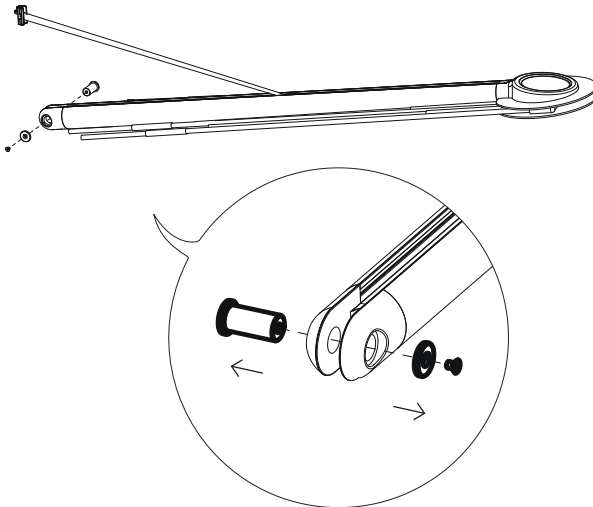
9.



Without pole extension

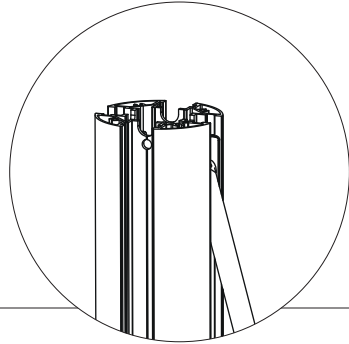
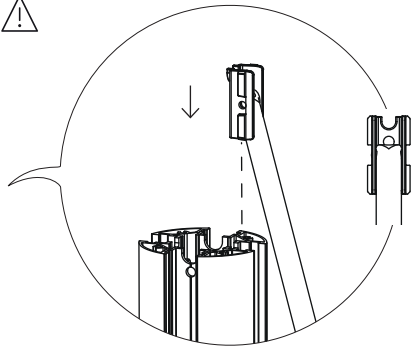
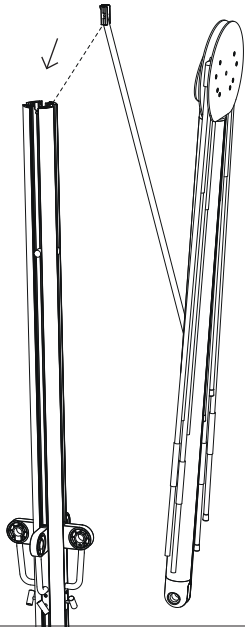
With pole extension

10.

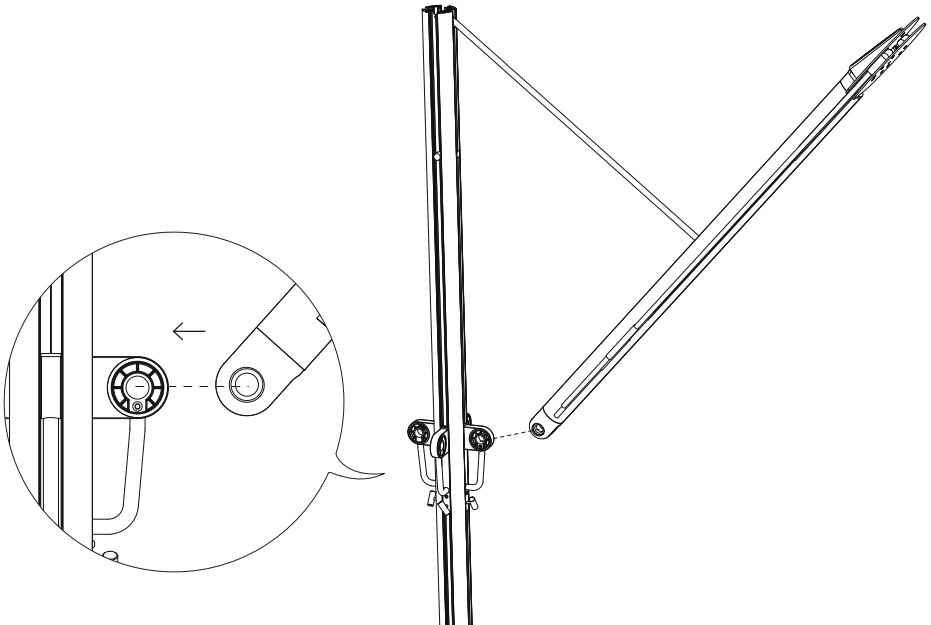


Remove the pre-mounted pin and bolt, and put aside

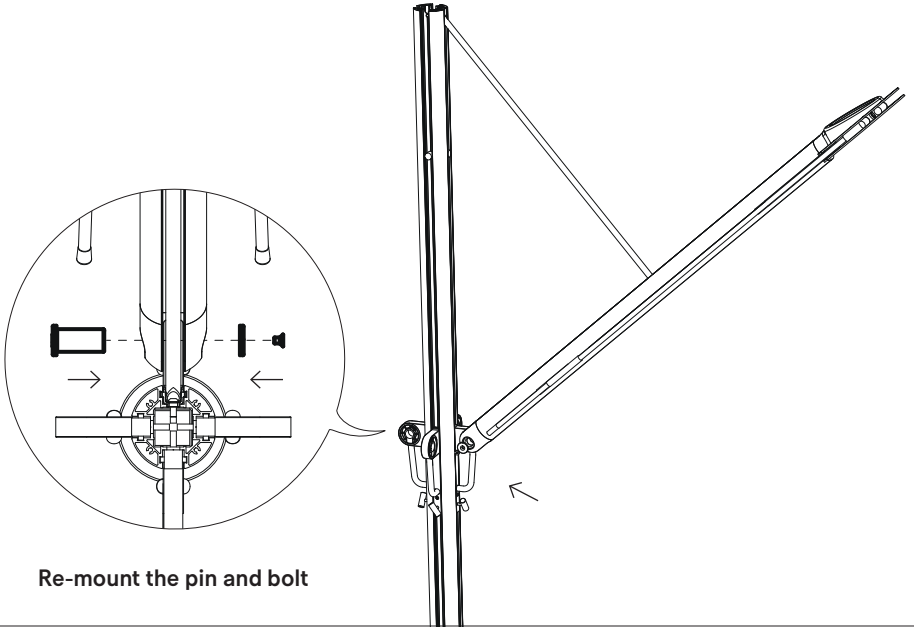
11. Make sure the pin stays in position 



12.

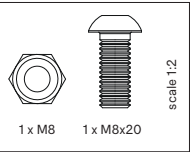
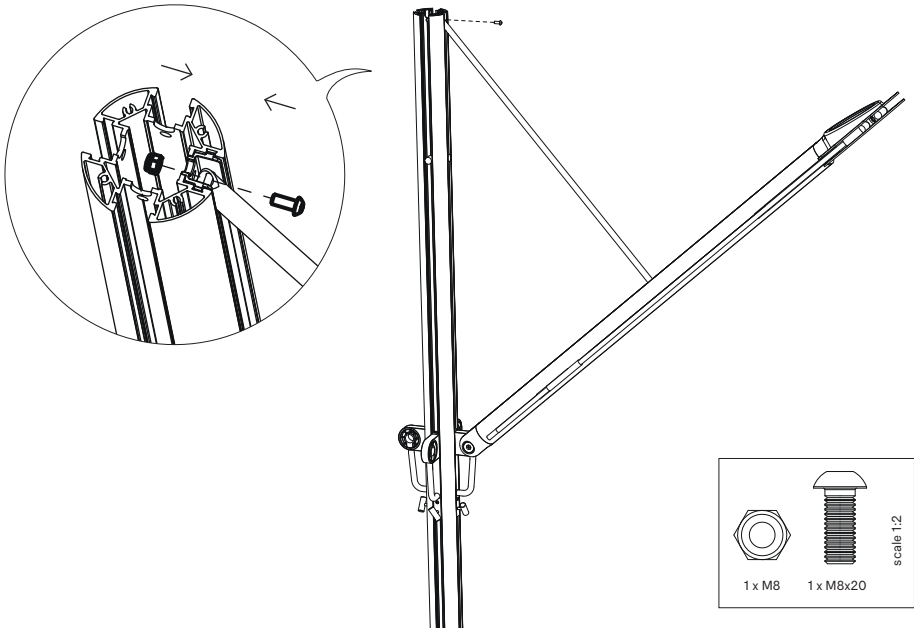


13.



Re-mount the pin and bolt

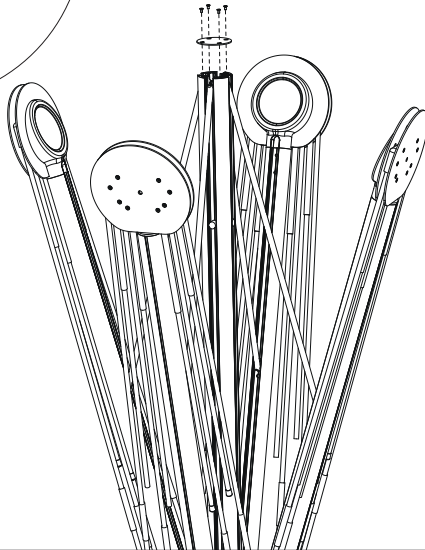
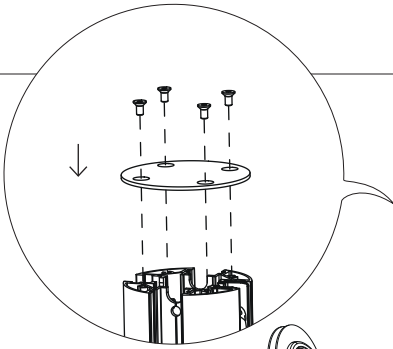
14.



15.

Repeat steps 10 - 14 for the other parasol arm

16.



Warnings – Assembly text instructions – Maintenance

English

WARNINGS

General

- Do not use any sharp tools to open the packaging.
- We strongly advise against using power tools.
- Tripping hazard, mind your step.
- Do not put out cigarettes on the shade.
- Not graffiti proof.
- Do not leave children unattended whilst playing underneath the shade.
- Colors can differ over years and from batch to batch.

Product

- Do not drag the shade, but carry it with minimum 2 people.
- Anchoring the product has to be done by qualified people.
- For anchoring: use suitable bolts or screws from a specialized store depending on the material your terrace is made of.
- In case of strong winds or if it is not being used, close the shade and tilt the latches downwards. Put the protective cover over the shade to prevent it from blowing open or getting dirty.
- For ventilation purposes, the cover is not 100% water proof.
- Store the parasol when not in use for a long time as follows: completely dry and in a dry environment.
- Do not leave the parasol closed for a long time when the parasol fabric is still damp or wet.
- Do not leave the shade unattended when opened.
- Tests in a windtunnel have shown that the shade withstands wind speeds up to 49 km/h (31 mph). Still, we strongly advise to close it sooner (from wind speed 28 km/h (18 mph) is the rule of thumb.
- We advise to position the shade in the direction of the wind, put the arm in a 5° à 10° angle.
- Fix the closed Sensu with the supplied strap.

Powder coating

- White powder coating requires more maintenance.
- Do not use abrasive scouring powders or scourers as they will scratch the surface.
- Color can fade to some extent when exposed to UV.

- Flame retarding - NEN-EN13501-1 A2-sl - Satisfying the same criteria as Class B for the SBI-test according to EN13823. In addition, under conditions of a fully developed fire these products will not significantly contribute to the fire load and fire growth.
- Dark colors can get very hot in sunny weather.

Acrylic fabric

- White fabric requires more maintenance.
- Shake or brush off loose dirt immediately.
- Do not use any aggressive detergents as they will remove the protective coating of the fabric.
- We strongly advise you not to use a high-pressure hose for cleaning.
- UV colour fastness: 7/8 (ISO 105-B02).

ASSEMBLY INSTRUCTIONS

Duo/Quattro with base - p6/p34

1. Fix the feet to the bottom of the base using four M6x12 bolts for each.
2. Put two large and seven small concrete tiles per corner on the base.
3. Remove the four outer bolts as shown in the drawing. Attention: do not throw away the bolts, you will need these again in step 4.
4. Now fix the parasol support with the four bolts from step 3 onto the base.
5. Position the large cover plate on top of the base.
6. Now position the small cover plate and rubber spacer on top as shown in the drawing.
7. Slide the two/four handles into the pole from below and tighten them at +/- 1 meter height as shown in the drawing.
8. Remove the cover plate on top of the pole. Attention: do not throw away the cover plate and bolts!
9. Slide the parasol pole on top of the parasol support.
10. Now remove the stainless steel hinge axle and bolts from the parasol arm as shown in the drawing.
11. Slide the top of the support rib into the pole from above. Attention: make sure the hole of the bracket is facing upwards as shown in the drawing.
12. Position the parasol arm onto the handle.
13. Fix the parasol arm onto the handle with the hinge axle and bolt.
14. Now fix the top of the support rib to the pole with

one M8x20 bolts & one M8 nut.

15. Repeat steps 10 - 14 for the other parasol arm.
16. Finally, mount the cover plate back on top of the pole with the four bolts.

Duo/Quattro with permanent fixation - p14/42

1. Tape the bottom side of the tube to make sure no concrete gets inside the tube.
2. Make a well as shown in the drawing.
3. Place the anchor in the middle of the well and make sure the anchor is perpendicular.
4. Fill the well with concrete.
5. Make sure the top of the anchor is aligned with the desired floor.
6. Check if the anchor is still perpendicular and let it rest for a while until the concrete is hard.
7. Put the base support in the tube as shown in the drawing. Tip: when not using the shade, put the delivered cap in the tube instead of the base support
8. Now fix the parasol support onto the base support with four M10x16 bolts.
9. Now position the small rubber spacer on top as shown in the drawing.
10. Attention: In case you prefer using the pole extension, first follow steps 10 - 12. Position the pole extension on top.
11. Slide a second rubber spacer on top of the pole extension.
12. Now slide an extension tube into the parasol support as shown in the drawing.
13. Slide the two/four handles into the pole from below and tighten them at +/- 1 meter height as shown in the drawing.
14. Remove the cover plate on top of the pole. Attention: do not throw away the cover plate and bolts!
15. Slide the parasol pole on top of the parasol support.
16. Now remove the stainless steel hinge axle and bolts from the parasol arm as shown in the drawing.
17. Slide the top of the support rib into the pole from above. Attention: make sure the hole of the bracket is facing upwards as shown in the drawing.
18. Position the parasol arm onto the handle.
19. Fix the parasol arm onto the handle with the hinge axle and bolt.
20. Now fix the top of the support rib to the pole with one M8x20 bolts & one M8 nut.
21. Repeat steps 16 - 20 for the other parasol arm.
22. Finally, mount the cover plate back on top of the pole with the four bolts.

Duo/Quattro with floor fastening - p26/54

1. Position the galvanized steel floor fastening part

where you want to place the parasol. Use the most appropriate fasteners for the surface on which the parasol is to stand.

2. Now fix the parasol support with four M10x16 bolts onto the floor fastening.
3. Now position the small rubber spacer on top as shown in the drawing.
4. Attention: In case you prefer using the pole extension, first follow steps 4 - 6. Position the pole extension on top.
5. Slide a second rubber spacer on top of the pole extension.
6. Now slide the extension tube into the parasol support as shown in the drawing.
7. Slide the two/four handles into the pole from below and tighten them at +/- 1 meter height as shown in the drawing.
8. Remove the cover plate on top of the pole. Attention: do not throw away the cover plate and bolts!
9. Slide the parasol pole on top of the parasol support.
10. Now remove the stainless steel hinge axle and bolts from the parasol arm as shown in the drawing.
11. Slide the top of the support rib into the pole from above. Attention: make sure the hole of the bracket is facing upwards as shown in the drawing.
12. Position the parasol arm onto the handle.
13. Fix the parasol arm onto the handle with the hinge axle and bolt.
14. Now fix the top of the support rib to the pole with one M8x20 bolts & one M8 nut.
15. Repeat steps 16 - 20 for the other parasol arm.
16. Finally, mount the cover plate back on top of the pole with the four bolts.

Open / close

1. Open the shade by pulling the outer balleens.
2. Now fix the shade by connecting the two balleens with the hook.
3. Put the Sensu in a tilted position for water drainage & wind advantage.

Moving up / down

1. Use the handle to move the shade up / down.
2. Fix the handle.

MAINTENANCE

Powder coating

CLEANING

Regularly

Use Extremis Multicleaner, a 100% biodegradable detergent or common kitchen cleaning products. Avoid using aggressive products. These surfaces are

best cleaned with a neutral cleaning product diluted in water.

REMOVING STAINS

Only if nothing else helps

The magic eraser gets rid of most stubborn stains without effort. Only if stubborn stains remain visible after treatment according to the instructions, you can use the Extremis Magic Eraser sponge. This sponge is made of melamine resin and wears away with use. The sponge is very easy to use and gives results up to 26 times faster than a traditional microfibre cloth. The magic sponge is the solution for getting rid of stubborn stains such as felt-tip pens, grease, scuff marks, limescale marks or coffee and tea stains. The magic sponge can be used on tarpaulin fabric, plastic profiles, glass, steel, chrome, aluminium, porcelain, artificial leather and many types of floor.

REPAIRING DAMAGED POWDER COATING

When damaged

The impact of sharp objects can damage the coating. Scratches or dents can be touched up with our paint pens. However this only camouflages the scratches without removing them.

Acrylic fabric

CLEANING

When dirty

Make a solution to remove stains.

REMOVING STUBBORN STAINS

Only if nothing else helps

More drastic measures needed? Bleach can be used if nothing else helps. Protect the area around your fabric when using a bleach solution - bleach may discolor fabrics. Please be aware of the environment when cleaning with bleach. Bleach can have harmful effects on the natural environment around you. We do not advise using bleach if you are surrounded by a body of water or another environment that could be affected. If stains and/or mildew marks are severe, the quantity of bleach may be increased.

Watch the maintenance video on our website:
www.extremis.com/maintenance



Nederlands

WAARSCHUWINGEN

Algemeen

- Gebruik geen scherp gereedschap om de verpakking te openen.
- Het gebruik van elektrisch gereedschap wordt ten zeerste afgeraden.
- Struikelgevaar, let op waar u loopt.
- Doof geen sigaretten uit op de parasol.
- Niet bestand tegen graffiti.
- Laat kinderen niet onbewaakt achter wanneer ze onder de parasol spelen.
- Kleuren kunnen van jaar tot jaar en van partij tot partij verschillen.

Product

- Sleep de parasol niet, maar draag hem met minstens 2 personen.
- Het product moet worden verankerd door gekwalificeerde personen.
- Voor verankering: gebruik geschikte bouten of schroeven uit een gespecialiseerde winkel, afhankelijk van het materiaal waarvan uw terras is gemaakt.
- Sluit de parasol en draai de blokkeerhaak naar beneden als er hevige wind optreedt of als je de parasol niet gebruikt.
- Trek de beschermhoes over de parasol om te vermijden dat hij openwaait of vuil wordt.
- Een goede ventilatie is belangrijk en dus is de hoes niet 100% waterbestendig.
- Berg de parasol volledig droog op een droge plek op als je hem lange tijd niet gebruikt.
- Laat de parasol niet te lang toe als de stof nog vochtig of nat is.
- Laat de parasol niet onbewaakt achter als hij open staat.
- Testen in windtunnels hebben aangetoond dat de parasol bestand is tegen windsnelheden tot 6 op de schaal van Beaufort (49 km/h). Toch is het aangeraden de parasol eerder te sluiten (vanaf 4 Beaufort (31 km/h)).
- Wij adviseren om de parasol in de windrichting te plaatsen, zet de arm in een hoek van 5° à 10°.
- Bind de stof vast met het bijgeleverde koord wanneer je de Sensu sluit.

Poedercoating

- Witte poedercoating vereist meer onderhoud.
- Gebruik geen schuurpoeders of schuursponsjes omdat deze krassen op het oppervlak veroorzaken.
- De kleur kan in zekere mate vervagen bij

blootstelling aan uv-straling.

- Vlamvertragend - NEN-EN13501-1 A2-sl - Voldoet aan dezelfde criteria als klasse B voor de SBI-test volgens EN13823. Bovendien zullen deze producten onder omstandigheden van een volledig ontwikkelde brand geen significante bijdrage leveren aan de brandbelasting en brandgroei.
- Donkere kleuren kunnen bij zonnig weer zeer heet worden.

Acryl stof

- Witte stoffen zijn onderhoudsintensiever.
- Schud of borstel los vuil onmiddellijk weg.
- Gebruik geen agressieve schoonmaakmiddelen. Deze verwijderen namelijk de beschermende coating op de stof.
- Het reinigen met een hogedrukslang wordt ten zeerste afgeraden.
- UV-bestendigheid: 7/8 (ISO 105-B02).

MONTAGE INSTRUCTIES

Duo/Quattro met sokkel - p6/p34

1. Maak de voetsteuntjes met 4 M6x12-bouten vast aan de onderkant van de voet.
2. Vul elke hoek van de voet op met twee grote en zeven kleine betonnen tegels.
3. Verwijder de vier buitenste bouten zoals aangegeven op de tekening. Let op: gooi de bouten niet weg, u heeft ze straks bij stap 4 weer nodig.
4. Bevestig nu de parasolsteun met de vier bouten uit stap 3 op de voet.
5. Leg de grote dekplaat bovenop de voet.
6. Glij de kleine dekplaat en rubberen afstandsring over de steun, zoals op de tekening.
7. Glij de twee/vier handgrepen langs onderen over de paal en draai ze op +/- 1 meter hoogte vast, zoals op de tekening.
8. Verwijder de dekplaat bovenaan de paal. Let op: gooi de dekplaat en de bouten niet weg!
9. Schuif de parasolpaal over de parasolsteun.
10. Haal de pen en bout uit roestvrij staal uit de parasolarm, zoals op de tekening.
11. Schuif de bovenkant van de steunrib langs boven in de paal. Let op: het gat in de beugel moet naar boven wijzen, zoals op de tekening.
12. Schuif de parasolarm over de handgreep.
13. Draai de pen en de bout opnieuw in de parasolarm om de arm vast te maken.
14. Schroef de bovenkant van de steunrib vast aan de paal met 1 M8x20-bout en 1 M8-moer.
15. Herhaal stap 10-14 voor de andere parasolarm.
16. Leg de dekplaat ten slotte terug op de bovenkant van de paal en maak vast met 4 bouten.

Duo/Quattro met permanente bevestiging - p14/42

1. Maak de onderkant van de buis dicht met tape om te voorkomen dat er beton in de buis terechtkomt.
2. Maak een put, zoals op de tekening.
3. Zet het anker in het midden van de put. Zorg ervoor dat het anker loodrecht op de ondergrond staat.
4. Vul de put met beton.
5. Let erop dat het uiteinde van het anker op dezelfde hoogte staat als de gewenste vloer.
6. Controleer of het anker nog steeds loodrecht staat en laat rusten tot het beton helemaal opgedroogd is.
7. Schuif de voetsteun over de buis, zoals op de tekening. Tip: gebruik je de parasol even niet? Haal de voetsteun dan weg en leg de bijgeleverde dop over de steun.
8. Maak de parasolsteun nu met 4 M10x16-bouten vast aan de voetsteun.
9. Glij de kleine rubberen afstandsring over de steun, zoals op de tekening.
10. Let op: als je liever het verlengstuk voor de paal gebruikt, ga je eerst verder met stap 10-12. Schuif het verlengstuk van de paal over de steun.
11. Leg een tweede rubberen afstandsring op het verlengstuk.
12. Schuif nu een verlengbuis in de parasolsteun, zoals op de tekening.
13. Glij de twee/vier handgrepen langs onderen over de paal en draai ze op +/- 1 meter hoogte vast, zoals op de tekening.
14. Verwijder de dekplaat bovenaan de paal. Let op: gooi de dekplaat en de bouten niet weg!
15. Schuif de parasolpaal over de parasolsteun.
16. Haal de pen en bout uit roestvrij staal uit de parasolarm, zoals op de tekening.
17. Schuif de bovenkant van de steunrib langs boven in de paal. Let op: het gat in de beugel moet naar boven wijzen, zoals op de tekening.
18. Schuif de parasolarm over de handgreep.
19. Draai de pen en de bout opnieuw in de parasolarm om de arm vast te maken.
20. Schroef de bovenkant van de steunrib vast aan de paal met 1 M8x20-bout en 1 M8-moer.
21. Herhaal stap 16-20 voor de andere parasolarm.
22. Leg de dekplaat ten slotte terug op de bovenkant van de paal en maak vast met 4 bouten.

Duo/Quattro met grondverankering - p26/54

1. Leg de grondverankering uit thermisch verzinkt staal op de plaats waar je de parasol wil zetten. Gebruik hiervoor de bevestigingsmiddelen die meest geschikt zijn voor de ondergrond waarop de parasol moet staan.
2. Maak de parasolsteun nu met 4 M10x16-bouten

vast aan de vloerbevestiging.

3. Glij de kleine rubberen afstandsring over de steun, zoals op de tekening.
4. Let op: als je liever het verlengstuk voor de paal gebruikt, ga je eerst verder met stap 4-6. Schuif het verlengstuk van de paal over de steun.
5. Leg een tweede rubberen afstandsring op het verlengstuk.
6. Schuif nu de verlengbuis in de parasolsteun, zoals op de tekening.
7. Glij de twee/vier handgrepen langs onderen over de paal en draai ze op +/- 1 meter hoogte vast, zoals op de tekening.
8. Verwijder de dekplaat bovenaan de paal. Let op: gooi de dekplaat en de bouten niet weg!
9. Schuif de parasolpaal over de parasolsteun.
10. Haal de pen en bout uit roestvrij staal uit de parasolarm, zoals op de tekening.
11. Schuif de bovenkant van de steunrib langs boven in de paal. Let op: het gat in de beugel moet naar boven wijzen, zoals op de tekening.
12. Schuif de parasolarm over de handgreep.
13. Draai de pen en de bout opnieuw in de parasolarm om de arm vast te maken.
14. Schroef de bovenkant van de steunrib vast aan de paal met 1 M8x20-bout en 1 M8-moer.
15. Herhaal stap 16-20 voor de andere parasolarm.
16. Leg de dekplaat ten slotte terug op de bovenkant van de paal en maak vast met 4 bouten..

Openen / sluiten

1. Trek aan de luifels om de parasol te openen.
2. Maak de twee luifels nu met de haak aan elkaar vast om de parasol open te houden.
3. Kantel de Sensu zodat de luifels de wind beter kunnen opvangen en water kunnen afvoeren.

Verticaal kantelen

1. Gebruik de blokkeerhaak om de parasol naar voren of naar achteren te kantelen.
2. Draai de blokkeerhaak vast zodra de parasol in de gewenste hoek staat.

ONDERHOUD

Poedercoating

REINIGEN

Geregeld

Gebruik Extremis Multi Cleaner, een 100% biologisch afbreekbaar schoonmaakmiddel, of een gewoon schoonmaakmiddel zoals je in de keuken gebruikt. Gebruik geen agressieve producten. Voor deze oppervlakken gebruik je het best een neutraal schoonmaakmiddel, verdund met water.

VLEKKEN VERWIJDEREN

Alleen als laatste redmiddel

Het wondersponsje verwijdert moeiteloos de meeste hardnekkige vlekken. Je mag het Extremis wondersponsje alleen gebruiken als hardnekkige vlekken na een normale schoonmaakbeurt volgens de instructies zichtbaar blijven. Dit sponsje is gemaakt van melaminehars en slijt naarmate het wordt gebruikt. Het sponsje is zeer eenvoudig in gebruik en geeft tot 26x sneller resultaat dan een traditionele microvezeldoek. Het wondersponsje is de oplossing voor het verwijderen van hardnekkige vlekken zoals stiftvlekken, vet, schoenstrepen, kalkresten of koffie- en thee-vlekken. Het wondersponsje mag worden gebruikt op zeildoek, kunststofprofielen, glas, staal, chroom, aluminium, porselein, kunstleer en diverse vloeren.

BESCHADIGDE POEDERLAK HERSTELLEN

Indien beschadigd

Door impact van scherpe voorwerpen kan de lak beschadigd raken. Krassen of putjes kunnen worden bijgewerkt met onze verfstiften. Hiermee kun je echter alleen krassen camoufleren, de kras blijft echter.

Acrylic fabric

REINIGEN

Wanneer de stof vuil is

Maak een oplossing om de vlekken te verwijderen.

HARDNEKKIGE VLEKKEN VERWIJDEREN

Alleen als laatste redmiddel

Drastischer maatregelen nodig? Als niets anders helpt, kan bleekmiddel worden gebruikt. Bescherm het gebied rond de stof als je bleekmiddel gebruikt. De oplossing kan de stof namelijk doen verkleuren. Hou rekening met het milieu wanneer je bleekmiddel gebruikt. Bleekmiddel kan schadelijk zijn voor de natuur rondom je. Het is afgeraden om bleekmiddel te gebruiken in de buurt van water of natuurlijke omgevingen die beschadigd kunnen worden door het bleekmiddel. Bij hardnekkige vlekken en/of schimmel mag meer bleekmiddel worden gebruikt.

Bekijk de onderhoudsvideo's op onze website:
www.extremis.com/maintenance



Deutsch

WARNUNG

Allgemeines

- Zum Öffnen der Verpackung keine scharfen Werkzeuge verwenden.
- Wir raten dringend davon ab, Elektrowerkzeuge zu nutzen.
- Stolpergefahr, Vorsicht beim Gehen!
- Zigaretten nicht auf dem Sonnenschirm ausdrücken.
- Nicht graffitibeständig.
- Lassen Sie Kinder nicht unbeaufsichtigt unter dem Schirm spielen.
- Farben können über die Jahre und von Charge zu Charge variieren.

Produkt

- Ziehen Sie den Schirm nicht, sondern tragen Sie ihn mit mindestens zwei Personen.
- Die Verankerung im Boden muss durch Fachpersonal geschehen.
- Für die Bodenverankerung: Verwenden Sie je nach Material Ihrer Terrasse geeignete Bolzen oder Schrauben aus dem Fachhandel.
- Schließen Sie den Schirm bei starkem Wind oder Nichtgebrauch und klappen Sie den Riegel nach unten.
- Ziehen Sie die Schutzhülle über den Schirm, um zu verhindern, dass er sich durch einen Windstoß öffnet oder dreckig wird.
- Die Schutzhülle ist nicht 100 % wasserfest, um eine gewisse Belüftung zu gewährleisten.
- Wenn der Schirm nicht verwendet wird, sollte er vollkommen trocken und in trockener Umgebung aufbewahrt werden.
- Lassen Sie den Schirm nicht über einen längeren Zeitraum geschlossen, wenn der Schirmstoff noch feucht oder nass ist.
- Lassen Sie den Schirm nicht unbeobachtet offenstehen.
- Tests in einem Windtunnel haben gezeigt, dass der Sonnenschirm Wind der Stärke 6 auf der Beaufort-Skala standhält (49 km/h). Trotzdem sollte er geschlossen werden, bevor eine solche Windstärke erreicht wird (von 4 Beaufort, 28 km/h).
- Wir empfehlen, den Sonnenschirm in die Windrichtung zu stellen, den Arm in einem Winkel von 5° bis 10°.
- Fixieren Sie den geschlossenen Sockel mit dem mitgelieferten Band.

Pulverbeschichtung

- Weiße Pulverbeschichtung erfordert mehr Wartung.

- Verwenden Sie keine scheuernden Reinigungsmittel oder Topfreiniger, da diese die Oberfläche verkratzen.
- Die Farbe kann unter UV-Belastung bis zu einem gewissen Grad verblassen.
- Flammschutzmittel - NEN-EN13501-1 A2-s1 - Erfüllt die gleichen Kriterien wie Klasse B für die SBI-Prüfung nach EN13823. Darüber hinaus werden diese Produkte bei einem voll entwickelten Feuer nicht wesentlich zur Brandlast und zur Brandverbreitung beitragen.
- Dunkle Farben können bei sonnigem Wetter sehr heiß werden.

Acrylstoff

- Weißer Stoff bedarf mehr Pflege.
- Schütteln Sie lose Verschmutzungen sofort herunter oder bürsten Sie diese ab.
- Verwenden Sie keine aggressiven Waschmittel, da diese den Schutzfilm des Stoffes beschädigen würden.
- Wir raten dringend davon ab, den Schirm mithilfe eines Hochdruckreinigers zu säubern.
- UV-Beständigkeit der Farbe: 7/8 (ISO 105-B02).

MONTAGEANLEITUNGEN

Duo/Quattro mit Ständer - p6/p34

1. Befestigen Sie die Füße mit je 4 M6x12 Schrauben an der Unterseite des Ständers.
2. Legen Sie zwei große und sieben kleine Betonfliesen pro Ecke auf den Ständer.
3. Entfernen Sie die vier äußeren Schrauben wie in der Zeichnung dargestellt. **Achtung:** Werfen Sie die Bolzen nicht weg, Sie werden sie in Schritt 4 wieder benötigen.
4. Befestigen Sie nun die Sonnenschirmhalterung mit den vier Schrauben aus Schritt 3 am Sockel.
5. Legen Sie die große Abdeckung auf die Betonfliesen des Ständers.
6. Legen Sie nun die kleine Abdeckung und den Gummiabstandhalter wie auf dem Bild gezeigt obenauf.
7. Schieben Sie die zwei/vier Griffe wie in der Zeichnung gezeigt von unten in die Stange und ziehen Sie sie auf einer Höhe von ca. einem Meter an.
8. Entfernen Sie die Abdeckung oben an der Stange. **Hinweis:** Werfen Sie die Abdeckung und Schrauben nicht weg!
9. Schieben Sie die Schirmstange auf die Schirmstütze.
10. Entfernen Sie jetzt die Scharnierachse aus Edelstahl und die Schrauben vom Schirm arm, wie in der Zeichnung dargestellt.

11. Schieben Sie das obere Teil der Stützrippe von oben auf die Stange. **Hinweis:** Stellen Sie sicher, dass das Loch der Halterung nach oben zeigt, wie in der Zeichnung dargestellt.
12. Positionieren Sie den Schirmarm auf dem Griff.
13. Befestigen Sie den Schirmarm mit der Scharnierachse und Schraube am Griff.
14. Befestigen Sie nun den oberen Teil der Stützrippe mit einer M8x20 Schraube und einer M8 Mutter an der Stange.
15. Wiederholen Sie Schritte 10-14 für den zweiten Schirmarm.
16. Montieren Sie zum Schluss die Abdeckung mit den vier Schrauben wieder oben auf der Stange.

Duo/Quattro mit dauerhafte Befestigung - p14/42

1. Verschließen Sie die untere Seite der Stange mit Klebeband, damit kein Beton eindringen kann.
2. Graben Sie ein Loch, wie in der Zeichnung dargestellt.
3. Platzieren Sie den Anker in der Mitte des Lochs und stellen Sie sicher, dass er senkrecht steht.
4. Füllen Sie das Loch mit Beton.
5. Die Oberkante des Ankers sollte mit dem Boden abschließen.
6. Prüfen Sie, ob der Anker senkrecht ist und lassen Sie alles ruhen, bis der Beton hart ist.
7. Führen Sie die Ständerstütze in die Stange ein, wie in der Zeichnung dargestellt. **Tipp:** Verschließen Sie die Stange statt mit der Ständerstütze mit der mitgelieferten Kappe, wenn Sie den Schirm nicht verwenden.
8. Befestigen Sie jetzt die Sonnenschirmstütze mit 4 M10x16 Schrauben am Ständer.
9. Legen Sie nun den Gummiabstandhalter wie auf dem Bild gezeigt oben auf.
10. **Hinweis:** Falls Sie lieber die Stangenerweiterung verwenden möchten, befolgen Sie zunächst Schritte 10-12. Positionieren Sie die Stangenerweiterung obenauf.
11. Schieben Sie einen zweiten Gummiabstandhalter auf die Stangenerweiterung.
12. Schieben Sie jetzt eine Erweiterungsstange in die Schirmstütze, wie in der Zeichnung dargestellt.
13. Schieben Sie die zwei/vier Griffe wie auf der Zeichnung gezeigt von unten in die Stange und ziehen Sie sie auf einer Höhe von ca. einem Meter an.
14. Entfernen Sie die Abdeckung oben an der Stange. **Hinweis:** Werfen Sie die Abdeckung und Schrauben nicht weg!
15. Schieben Sie die Schirmstange auf die Schirmstütze.
16. Entfernen Sie jetzt die Scharnierachse aus Edelstahl und die Schrauben vom Schirm arm,

wie in der Zeichnung dargestellt.

17. Schieben Sie das obere Teil der Stützrippe von oben auf die Stange. **Hinweis:** Stellen Sie sicher, dass das Loch der Halterung nach oben zeigt, wie in der Zeichnung dargestellt.
18. Positionieren Sie den Schirmarm auf dem Griff.
19. Befestigen Sie den Schirmarm mit der Scharnierachse und Schraube am Griff.
20. Befestigen Sie nun den oberen Teil der Stützrippe mit einer M8x20 Schraube und einer M8 Mutter an der Stange.
21. Wiederholen Sie Schritte 16-20 für den zweiten Schirmarm.
22. Montieren Sie zum Schluss die Abdeckung mit den vier Schrauben wieder oben auf der Stange.

Duo/Quattro mit Bodenverankerung - p26/54

1. Positionieren Sie die Bodenbefestigung aus feuerverzinktem Stahl an der Stelle, wo Sie Ihren Schirm aufstellen möchten. Verwenden Sie dafür die Befestigungselemente, die für den Boden, auf dem Sonnenschirm stehen soll, am besten geeignet sind.
2. Befestigen Sie jetzt die Sonnenschirmstütze mit 4 M10x16 Schrauben an der Bodenbefestigung.
3. Legen Sie nun den Gummiabstandhalter wie auf dem Bild gezeigt oben auf.
4. **Hinweis:** Falls Sie lieber die Stangenerweiterung verwenden möchten, befolgen Sie zunächst Schritte 4-6. Positionieren Sie die Stangenerweiterung obenauf.
5. Schieben Sie einen zweiten Gummiabstandhalter auf die Stangenerweiterung.
6. Schieben Sie jetzt die Erweiterungsstange in die Schirmstütze, wie in der Zeichnung dargestellt.
7. Schieben Sie die zwei/vier Griffe wie auf der Zeichnung gezeigt von unten in die Stange und ziehen Sie sie auf einer Höhe von ca. einem Meter an.
8. Entfernen Sie die Abdeckung oben an der Stange. **Hinweis:** Werfen Sie die Abdeckung und Schrauben nicht weg!
9. Schieben Sie die Schirmstange auf die Schirmstütze.
10. Entfernen Sie jetzt die Scharnierachse aus Edelstahl und die Schrauben vom Schirm arm, wie in der Zeichnung dargestellt.
11. Schieben Sie das obere Teil der Stützrippe von oben auf die Stange. **Hinweis:** Stellen Sie sicher, dass das Loch der Halterung nach oben zeigt, wie in der Zeichnung dargestellt.
12. Positionieren Sie den Schirmarm auf dem Griff.
13. Befestigen Sie den Schirmarm mit der Scharnierachse und Schraube am Griff.
14. Befestigen Sie nun den oberen Teil der Stützrippe mit einer M8x20 Schraube und einer M8 Mutter an der Stange.

15. Wiederholen Sie Schritte 16–20 für den zweiten Schirmarm.
16. Montieren Sie zum Schluss die Abdeckung mit den vier Schrauben wieder oben auf der Stange.

Öffnen/schließen

1. Öffnen Sie den Schirm, indem Sie an den äußeren Schirmspeichen ziehen.
2. Fixieren Sie den Schirm, indem Sie die beiden Speichen mit dem Haken verbinden.
3. Positionieren Sie Sensu leicht schräg, damit Wasser abfließen kann und der Schirm Wind besser standhält.

Senkrecht kippen

1. Bewegen Sie den Schirm mithilfe des Griffs nach oben/unten.
2. Fixieren Sie den Griff, wenn der Schirm in der gewünschten Position ist.

PFLEGE

Pulverbeschichtung

REINIGEN

Regelmäßig

Verwenden Sie den zum 100 % biologisch abbaubaren Extremis-Multireiniger oder einen herkömmlichen Allesreiniger. Keine aggressiven Reiniger verwenden. Am besten eignet sich ein neutrales Reinigungsmittel in Wasser.

FLECKEN ENFERNEN

Nur dann, wenn sonst nichts hilft

Das Wunderschwämmchen entfernt mühelos auch die hartnäckigsten Flecken. Verwenden Sie das Wunderschwämmchen von Extremis nur, wenn nach der Reinigung gemäß Anleitung noch Flecken zu sehen sind. Der Schwamm besteht aus Melaminharz und löst sich bei der Reinigung auf. Die Handhabung ist denkbar einfach und die Wirkung tritt 26 Mal schneller ein als bei einem herkömmlichen Mikrofasertuch. Das Wunderschwämmchen ist die Lösung bei hartnäckigen Flecken, zum Beispiel von Filzstiften und Fett, Scheuerstellen, Kalkablagerungen, Tee oder Kaffee. Der Schwamm kann für Planenstoff, Kunststoffprofile, Glas, Stahl, Chrom, Aluminium, Porzellan, Kunstleder und viele Bodenbeläge verwendet werden.

Acrylstoff

SÄUBERUNG

Wenn dreckig

Stellen Sie eine Lösung zum Entfernen von Flecken her.

ENTFERNEN HARTNÄCKIGER FLECKEN

Nur, wenn nichts anderes Wirkung zeigt

Sie müssen härtere Bandagen anlegen? Wenn nichts anderes hilft, können Sie Bleichmittel verwenden. Schützen Sie die Umgebung, wenn Sie Ihren Schirmstoff mit Bleichmittel behandeln, da Bleichmittel zu Verfärbungen von Stoffen führen kann. Bitte achten Sie auf die Umwelt, wenn Sie Bleichmittel verwenden. Bleichmittel kann sich negativ auf die Umwelt auswirken. Wir raten davon ab, Bleichmittel zu verwenden, wenn Sie sich in der Nähe eines Gewässers oder einer anderen Umgebung befinden, die davon betroffen sein könnte. Wenn Flecken und/oder Stock sehr hartnäckig sind, kann die Konzentration des Bleichmittels erhöht werden.

Sehen Sie sich die Wartungsvideos auf unserer Website an:
www.extremis.com/maintenance



Français

AVERTISSEMENTS

Général

- N'utilisez pas d'outils pointus pour ouvrir l'emballage.
- Nous déconseillons fortement d'utiliser des outils électriques.
- Risque de trébuchement, attention à la marche.
- N'éteignez pas de cigarettes sur la parasol.
- Ne résiste pas aux graffitis.
- Ne laissez pas les enfants jouer sous le parasol sans surveillance.
- Les couleurs peuvent varier au fil des années ou d'un lot à l'autre.

Produit

- Ne faites pas traîner le parasol : portez-le au moins à deux.
- L'ancrage du produit doit être effectué par des personnes qualifiées.
- Pour l'ancrage : utilisez des boulons ou des vis appropriés provenant d'un magasin spécialisé, en fonction du matériau de votre terrasse.
- En cas de vent fort ou si vous ne l'utilisez pas, fermez le parasol et rabaissez les loquets.
- Placez la housse de protection sur la toile du parasol pour l'empêcher de s'ouvrir ou de se salir.
- Pour des raisons de ventilation, la housse n'est pas étanche à 100 %.
- Lorsque vous n'utilisez pas le parasol pendant une longue période, rangez-le comme suit :
- complètement sec et dans un environnement sec.
- Ne laissez pas le parasol fermé pendant une longue période lorsque la toile est encore humide ou mouillée.
- Ne laissez pas le parasol sans surveillance lorsqu'il est ouvert.
- Des tests effectués en soufflerie ont montré que le parasol résiste à des vents d'une force allant jusqu'à 6 sur l'échelle de Beaufort (49 km/h). Il est toutefois préférable de le fermer plus tôt (4 Beaufort, 28 km/h).
- Nous conseillons de positionner le parasol dans le sens du vent, en mettant le bras dans un angle de 5° à 10°.
- Fixez Sensu refermé avec la sangle fournie.

Thermolaquage

- Le thermolaquage nécessite plus d'entretien.
- N'utilisez pas de poudres à récurer abrasives ou de produits abrasifs, car ils risquent de rayer la surface.

- La couleur peut s'estomper dans une certaine mesure lorsqu'elle est exposée aux UV.
- Ignifuge- NEN-EN13501-1 A2-s1 - Satisfaisant aux mêmes critères que la classe B pour l'essai SBI selon EN13823. De plus, dans les conditions d'un feu complètement développé, ces produits ne contribueront pas de manière significative à la charge calorifique et à la croissance du feu.
- Les couleurs foncées peuvent devenir très chaudes par temps ensoleillé.

Toile acrylique

- Un tissu blanc nécessite plus d'entretien.
- Secouez ou brossez immédiatement les saletés non incrustées.
- N'utilisez pas de détergents agressifs : ils enlèveraient le revêtement protecteur de la toile.
- Nous vous déconseillons vivement d'utiliser un système à haute pression pour le nettoyage.
- Solidité des couleurs aux UV : 7/8 (ISO 105-B02).

INSTRUCTIONS DE MONTAGE

Duo/Quattro avec base - p6/p34

1. Fixez les pieds sur le fond du socle à l'aide de 4 boulons M6x12 par pied.
2. Placez deux grands carreaux de béton et sept petits dans chaque quartier du socle.
3. Retirez les quatre boulons extérieurs comme indiqué sur le dessin. Attention : ne jetez pas les boulons, vous en aurez à nouveau besoin à l'étape 4.
4. Fixez maintenant le support du parasol avec les quatre boulons de l'étape 3 sur la base.
5. Placez la grande plaque de protection sur le dessus du socle.
6. Positionnez ensuite la petite plaque de protection et l'entretoise en caoutchouc sur le dessus, comme indiqué sur le dessin.
7. Faites glisser les deux/quatre poignées sur le mât, en partant du bas, et serrez-les à ± 1 mètre de haut, comme indiqué sur le dessin.
8. Retirez la plaque de protection du sommet du mât. Attention : ne jetez pas la plaque et les boulons !
9. Faites glisser le mât du parasol sur le support.
10. Retirez l'axe de la charnière en acier inoxydable et les boulons du bras du parasol, comme indiqué sur le dessin.
11. Faites glisser la partie supérieure de la tige de support dans le mât, par le haut. Attention : vérifiez que l'orifice du support est orienté vers le haut, comme indiqué sur le dessin.
12. Positionnez le bras du parasol sur la poignée.

13. Fixez le bras du parasol sur la poignée avec l'axe de la charnière et le boulon.
14. Reliez ensuite le haut de la tige de support au mât avec 1 boulon M8x20 et 1 écrou M8.
15. Répétez les étapes 10 à 14 pour l'autre bras de parasol.
16. Enfin, remontez la plaque de protection au sommet du mât à l'aide des 4 boulons.
20. Reliez ensuite le haut de la tige de support au mât avec 1 boulon M8x20 et 1 écrou M8.
21. Répétez les étapes 16 à 20 pour l'autre bras de parasol.
22. Enfin, remontez la plaque de protection au sommet du mât à l'aide des 4 boulons.

Duo/Quattro avec ancrage au sol - p26/54

Duo/Quattro avec fixation permanente - p14/42

1. Bouchez la partie inférieure du tube avec du ruban adhésif pour éviter que du béton ne pénètre dans le tube.
2. Faites un puits comme indiqué sur le dessin.
3. Placez l'ancrage au milieu du puits et assurez-vous que l'ancrage est bien perpendiculaire.
4. Remplissez le puits de béton.
5. Assurez-vous d'aligner le haut de l'ancrage avec le sol.
6. Vérifiez que l'ancrage est toujours perpendiculaire et laissez reposer un moment jusqu'à durcissement du béton.
7. Placez le support du socle dans le tube comme indiqué sur le dessin. Conseil : lorsque vous n'utilisez pas le parasol, mettez le capuchon livré dans le tube à la place du support de socle.
8. Fixez ensuite le support du parasol sur le socle avec 4 boulons M10x16.
9. Positionnez ensuite la petite entretoise en caoutchouc sur le dessus, comme indiqué sur le dessin.
10. Attention : si vous préférez utiliser l'extension du mât, suivez d'abord les étapes 10 à 12. Positionnez l'extension de mât sur le dessus.
11. Faites glisser une deuxième entretoise en caoutchouc sur le dessus de l'extension.
12. Faites ensuite glisser le tube d'extension dans le support du parasol, comme indiqué sur le dessin.
13. Faites glisser les deux/quatre poignées sur le mât, en partant du bas, et serrez-les à ± 1 mètre de haut, comme indiqué sur le dessin.
14. Retirez la plaque de protection du sommet du mât. Attention : ne jetez pas la plaque et les boulons !
15. Faites glisser le mât du parasol sur le support.
16. Retirez l'axe de la charnière en acier inoxydable et les boulons du bras du parasol, comme indiqué sur le dessin.
17. Faites glisser la partie supérieure de la tige de support dans le mât, par le haut. Attention : vérifiez que l'orifice du support est orienté vers le haut, comme indiqué sur le dessin.
18. Positionnez le bras du parasol sur la poignée.
19. Fixez le bras du parasol sur la poignée avec l'axe de la charnière et le boulon.
1. Positionnez la pièce de fixation au sol en acier galvanisé à l'endroit où vous souhaitez placer le parasol et fixez-la au sol. Pour ce faire, utilisez les fixations les mieux adaptées à la base sur laquelle le Hopper doit se trouver.
2. Fixez ensuite le support du parasol sur la pièce de fixation au sol avec 4 boulons M10x16.
3. Positionnez ensuite la petite entretoise en caoutchouc sur le dessus, comme indiqué sur le dessin.
4. Attention : si vous préférez utiliser l'extension du mât, suivez d'abord les étapes 4 à 6. Positionnez l'extension de mât sur le dessus.
5. Faites glisser une deuxième entretoise en caoutchouc sur le dessus de l'extension.
6. Faites ensuite glisser le tube d'extension dans le support, comme indiqué sur le dessin.
7. Faites glisser les deux/quatre poignées sur le mât, en partant du bas, et serrez-les à ± 1 mètre de haut, comme indiqué sur le dessin.
8. Retirez la plaque de protection du sommet du mât. Attention : ne jetez pas la plaque et les boulons !
9. Faites glisser le mât du parasol sur le support.
10. Retirez l'axe de la charnière en acier inoxydable et les boulons du bras du parasol, comme indiqué sur le dessin.
11. Faites glisser la partie supérieure de la tige de support dans le mât, par le haut. Attention : vérifiez que l'orifice du support est orienté vers le haut, comme indiqué sur le dessin.
12. Positionnez le bras du parasol sur la poignée.
13. Fixez le bras du parasol sur la poignée avec l'axe de la charnière et le boulon.
14. Reliez ensuite le haut de la tige de support au mât avec 1 boulon M8x20 et 1 écrou M8.
15. Répétez les étapes 16 à 20 pour l'autre bras de parasol.
16. Enfin, remontez la plaque de protection au sommet du mât à l'aide des 4 boulons.

Ouverture / Fermeture

1. Ouvrez le parasol en tirant sur les baleines extérieures.
2. Fixez maintenant le parasol en reliant les deux baleines à l'aide du crochet.
3. Placez Sensu en position inclinée pour faciliter l'évacuation de l'eau et le protéger du vent.

Inclinaison verticale

1. Utilisez la poignée pour relever/abaisser le parasol.
2. Fixez la poignée lorsque le parasol est dans la position souhaitée.

ENTRETIEN

Thermolaquage

NETTOYAGE

Régulièrement

Utilisez de l'Extremis Multicleaner, un détergent 100% biodégradable ou un produit de nettoyage classique. Évitez d'utiliser des produits agressifs. Il est préférable de nettoyer ces surfaces avec un produit de nettoyage neutre dilué dans l'eau.

ENLEVER DES TACHES

Uniquement si rien d'autre ne marche

Le magic eraser éliminer la plupart des taches tenaces sans effort. N'utilisez l'éponge Extremis Magic Eraser que si des taches tenaces subsistent après avoir nettoyé selon les instructions. Cette éponge en résine de mélamine s'use à l'usage. Elle est très facile d'utilisation et donne des résultats jusqu'à 26 fois plus rapides qu'un linge microfibre classique. L'éponge magique est la solution pour se débarrasser des taches tenaces (marqueur, graisse, éraflures, calcaire, café ou thé). L'éponge magique peut être utilisée sur de la toile, des profilés en plastique, du verre, de l'acier, du chrome, de l'aluminium, de la porcelaine, du similicuir et de nombreux types de sol.

RÉPARER DU MOBILIER

Si le revêtement poudré est endommagé

L'impact d'objets contondants peut endommager le revêtement. Les éraflures et les entailles peuvent être retouchées avec nos marqueurs de peinture. Cela ne fait toutefois que camoufler, et non éliminer le problème.

Toile acrylique

NETTOYAGE

Lorsque le parasol est sale

Préparez une solution pour éliminer les taches.

ÉLIMINER LES TACHES TENACES

Uniquement si aucune autre solution n'est efficace

Des mesures plus radicales sont nécessaires ? En dernier recours, vous pouvez utiliser de l'eau de Javel si rien d'autre ne fonctionne. Protégez la zone où se trouve votre toile lorsque vous utilisez une solution à base d'eau de Javel - celle-ci peut décolorer les tissus. Soyez attentif à l'environnement lorsque

vous nettoyez à l'eau de Javel, car elle peut avoir des effets nocifs sur la nature environnante. Nous vous déconseillons d'utiliser de l'eau de Javel si vous êtes à proximité d'un plan d'eau ou d'un autre écosystème susceptible d'être affecté. Si les taches et/ou les traces de moisissure sont importantes, la quantité d'eau de Javel peut être augmentée.

Voir les vidéos d'entretien sur
notre site web:
www.extremis.com/maintenance





Our headquarters:
Couthoflaan 20b
B-8972, Poperinge
info@extremis.com
+ 32 57 346020

www.extremis.com

Connect with us:



All rights reserved. Unless otherwise specified, all designs and photographs contained in this publication are copyright protected and are the property of Extremis. No part of this publication may be copied or distributed without Extremis' prior written consent. The names of the authors of photographs to which we do not hold rights are mentioned here. We have done our utmost to provide a comprehensive list of names. In the event of an alleged breach, please contact the editorial staff. © Extremis

20230714