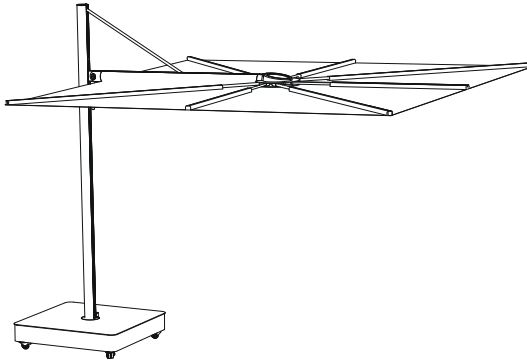
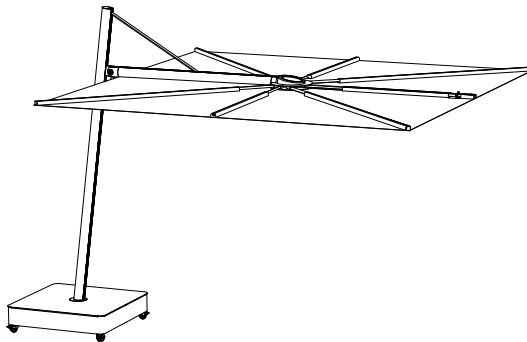


Sensu

Single square straight



Single square tilted



extremis®

Assembly instructions, how to use, useful tips for keeping
your tool for togetherness in shape.

EN

MANUAL
LAB162-2

extremis®

Tools for togetherness

**IMPORTANT! RETAIN FOR FUTURE
REFERENCE: READ CAREFULLY.**

**BELANGRIJK! LEES DIT DOCUMENT
AANDACHTIG EN BEWAAR HET VOOR
TOEKOMSTIGE RAADPLEGING!**

**WICHTIG! AUFHEBEN, UM SPÄTER
ETWAS NACHSEHEN ZU KÖNNEN:
SORGFÄLTIG DURCHLESEN!**

**IMPORTANT! LISEZ ATTENTIVEMENT
CE MANUEL ET CONSERVEZ-LE POUR
RÉFÉRENCE ULTÉRIEURE!**

**IMPORTANTE! CONSERVARE COME
RIFERIMENTO PER IL FUTURO:
LEGGERE ATTENTAMENTE!**

**¡IMPORTANTE! CONSÉRVELO PARA
FUTURA REFERENCIA: LÉALO
ATENTAMENTE!**



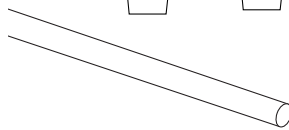
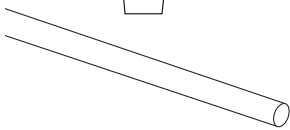
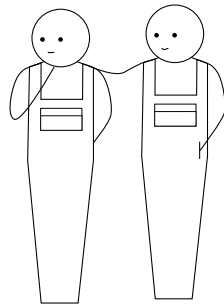
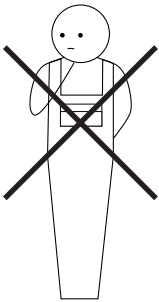
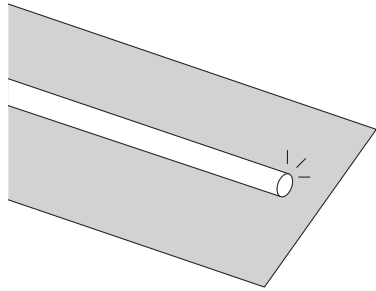
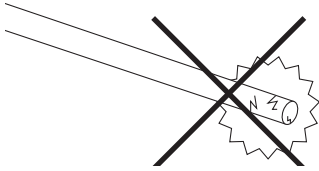


Table of contents

Mounting kit

8

Assembly wheel base

10

Moving up/down

18

Open / close

20

Rotate 360°

22

Tilting vertically

24

Assembly permanent fixation

26

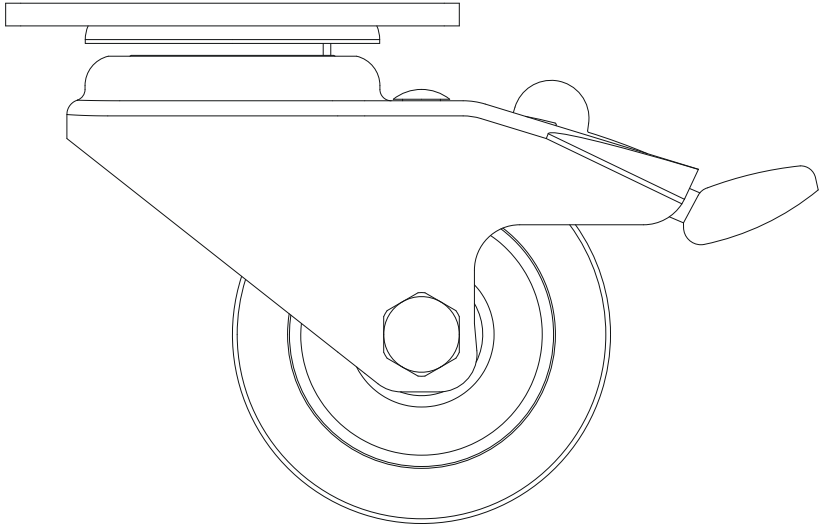
Assembly floor fastening spacer plate

36

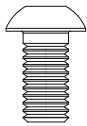
Warnings - Assembly text instructions - Maintenance

40

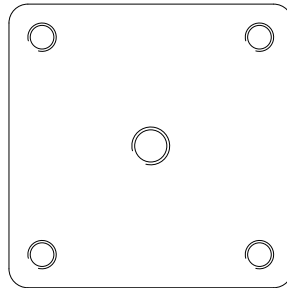
Mounting kit



4 x wheel



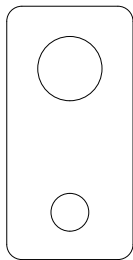
16 x M6x12 iso 7380



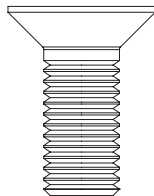
4 x plate

scale 1:1

Mounting kit to fix **wheels** to the wheel base



4 x plates



4 x M10x25

scale 1:1

Mounting kit to fix rotating system

Assembly with wheel base

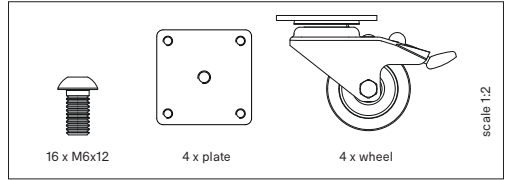
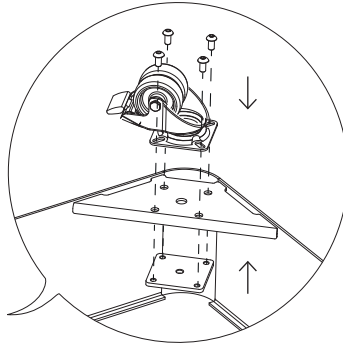
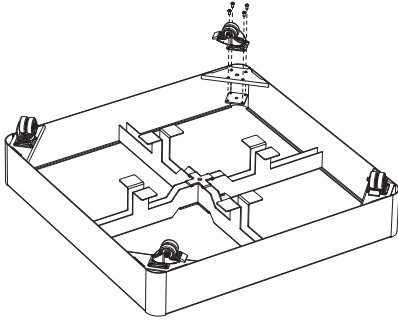
1.



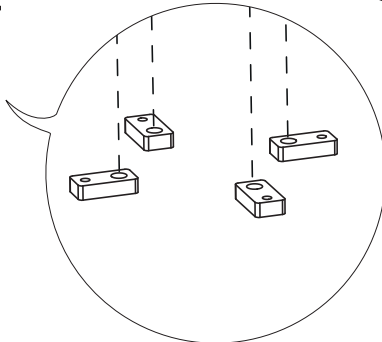
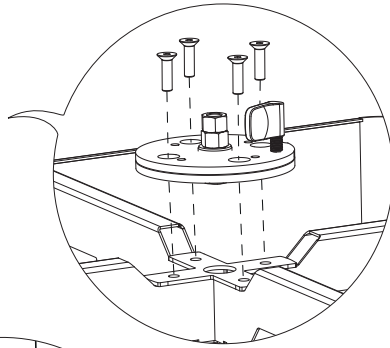
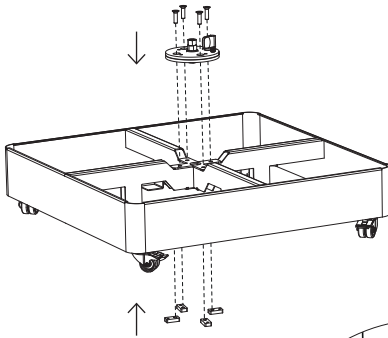
N° 4 - 6

15'

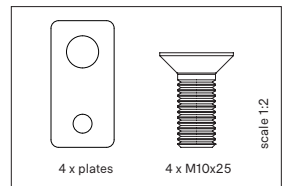
p 40



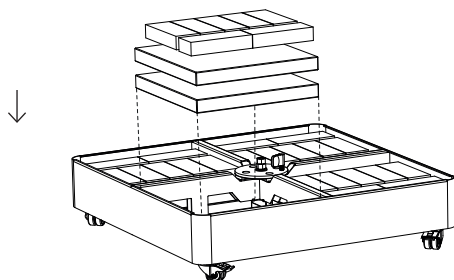
2.



The rotating system is inside the box of the parasol

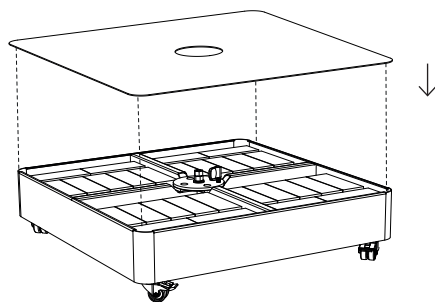


3.



**Do not use the wheel base without any weight!
Add at least 200 kg!**

4.

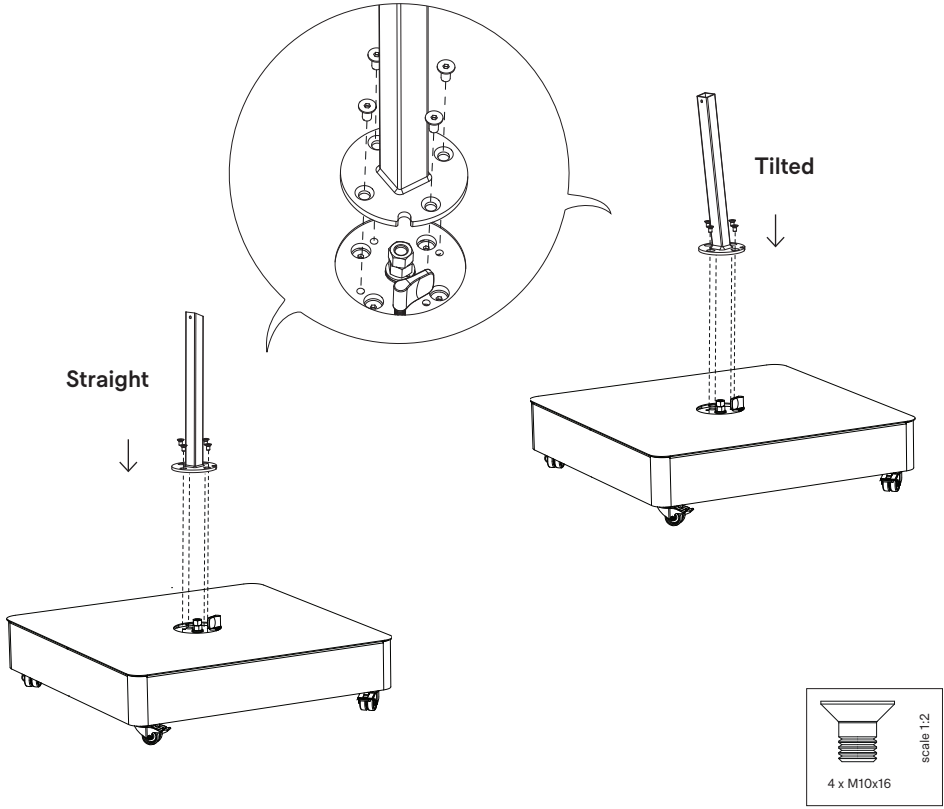


5.

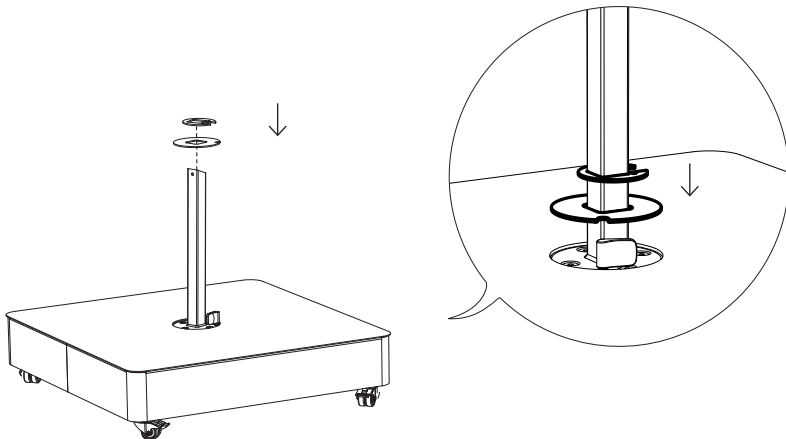


Take the included parasol support out of the pole

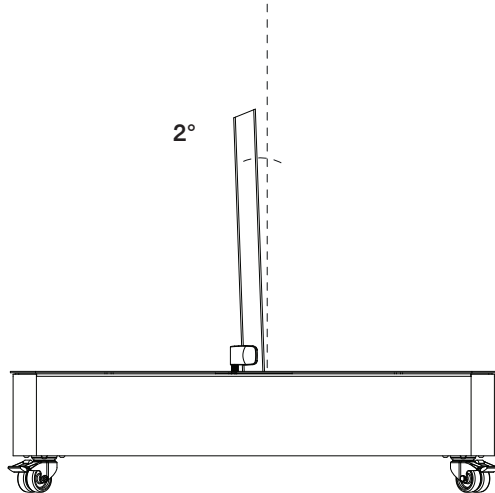
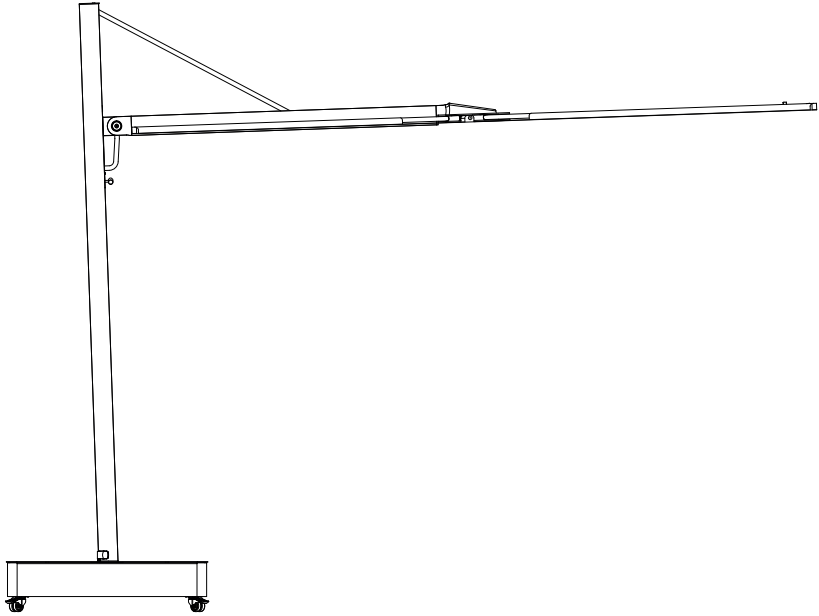
6.



7.

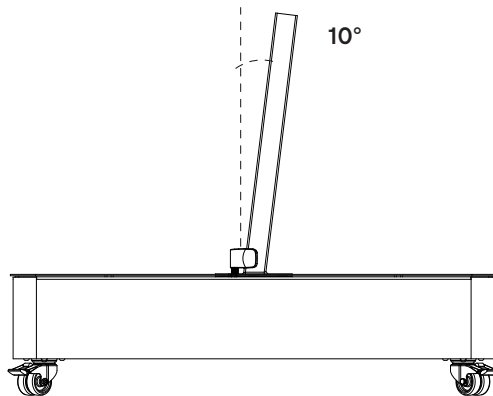
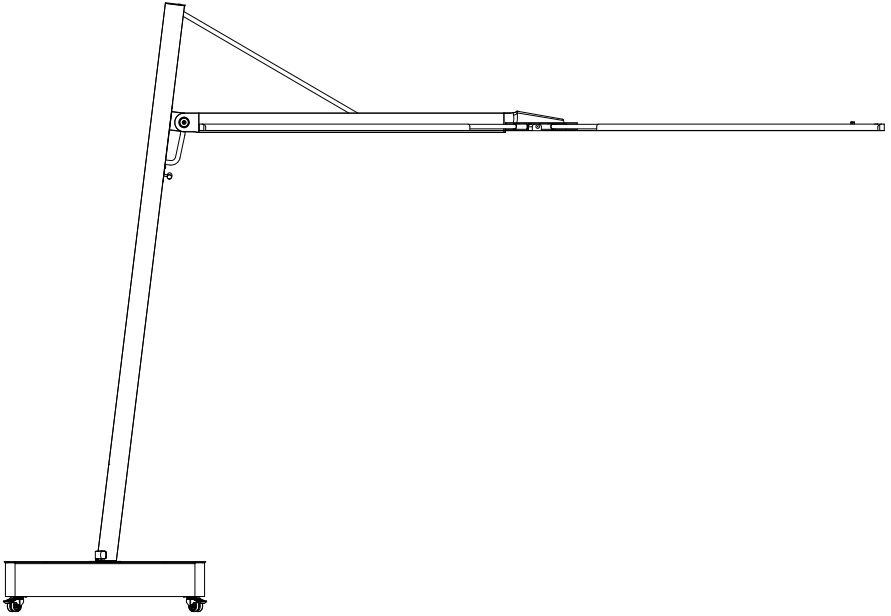


8. Straight



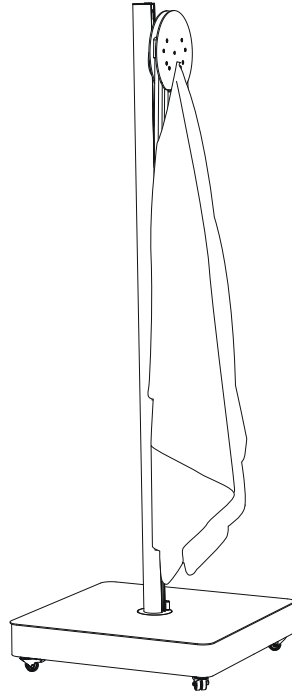
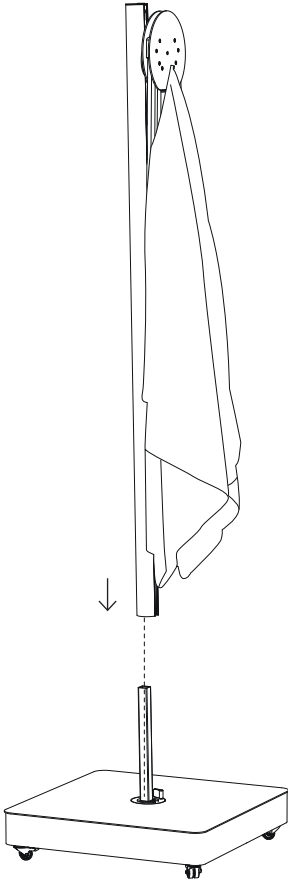
Make sure shade is tilted backwards

8. Tilted

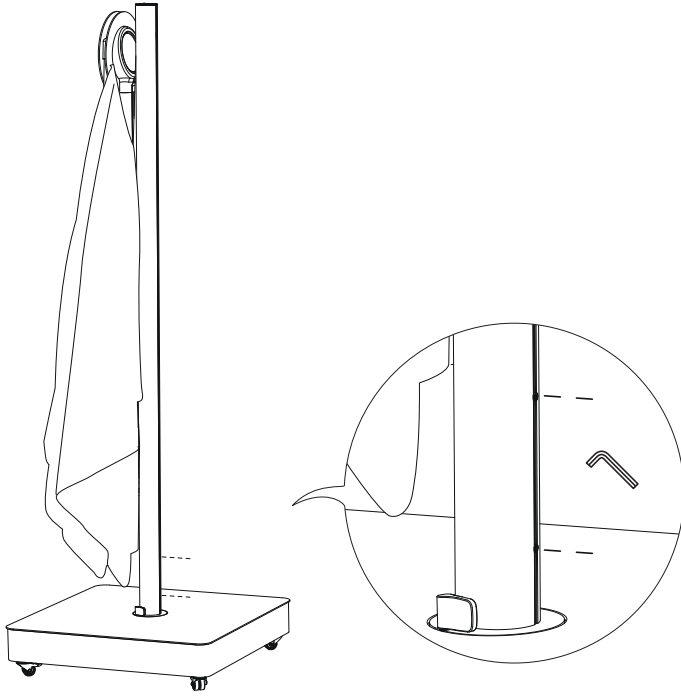


Make sure shade is tilted forward

9.

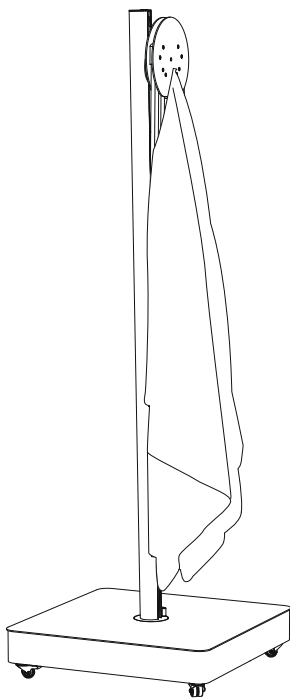


10.

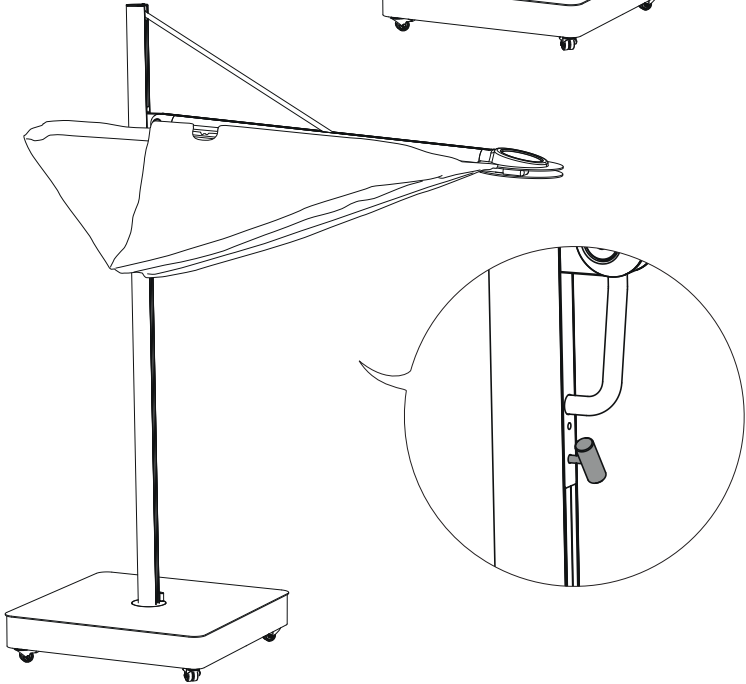
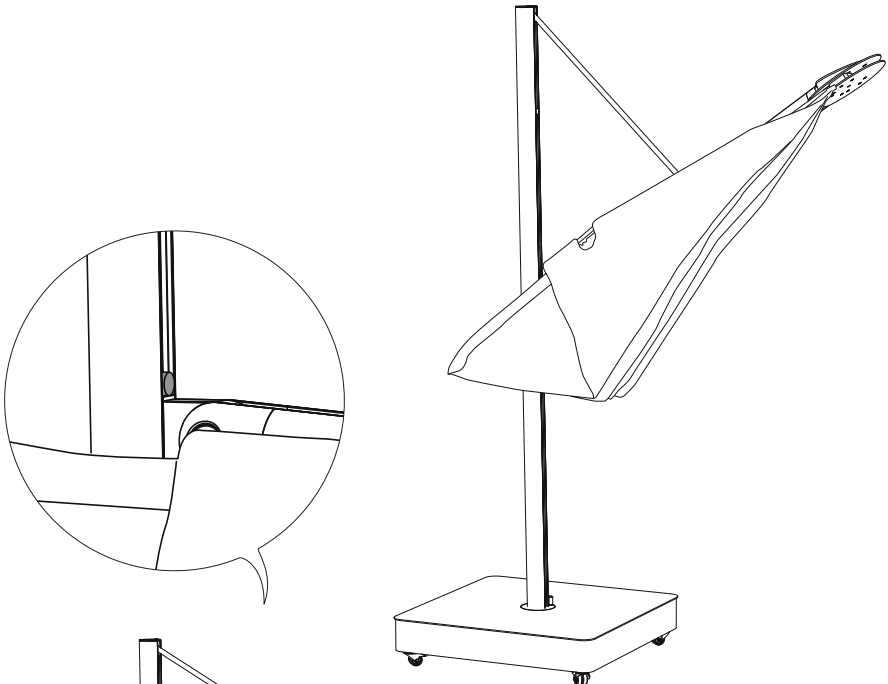


Tighten the two adjusting screws on the back

Moving up / down

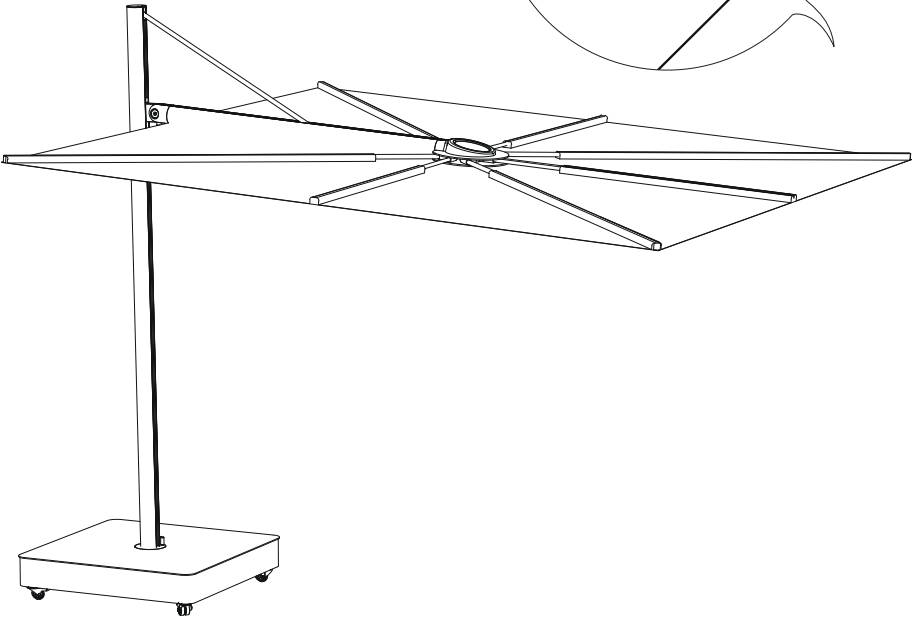
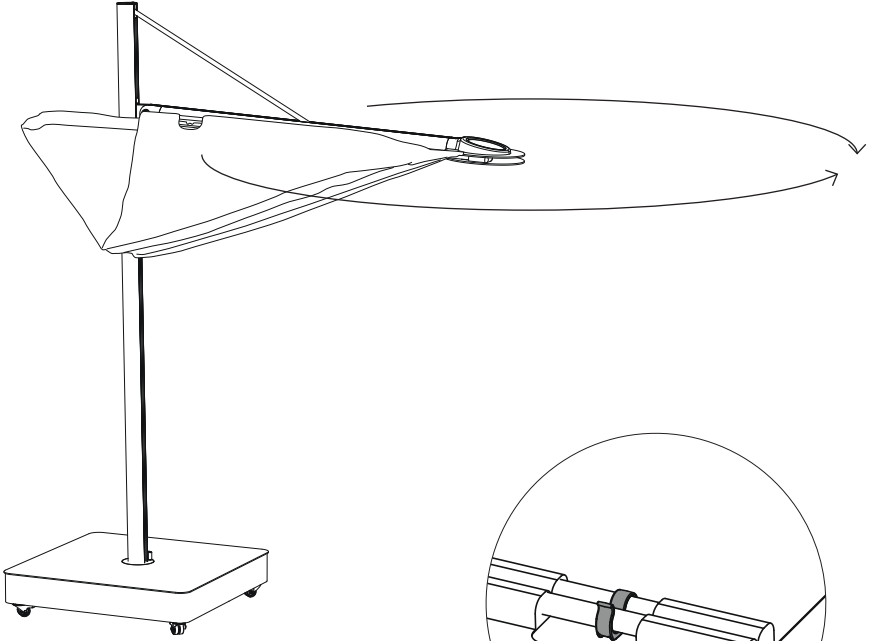


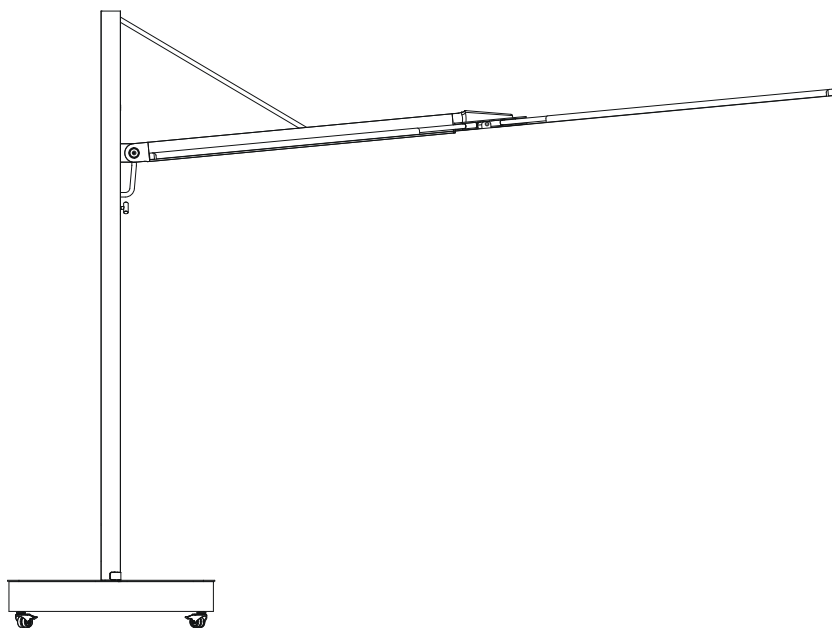
Use the handle to move the shade up / down



Move all the way up + fix the handle

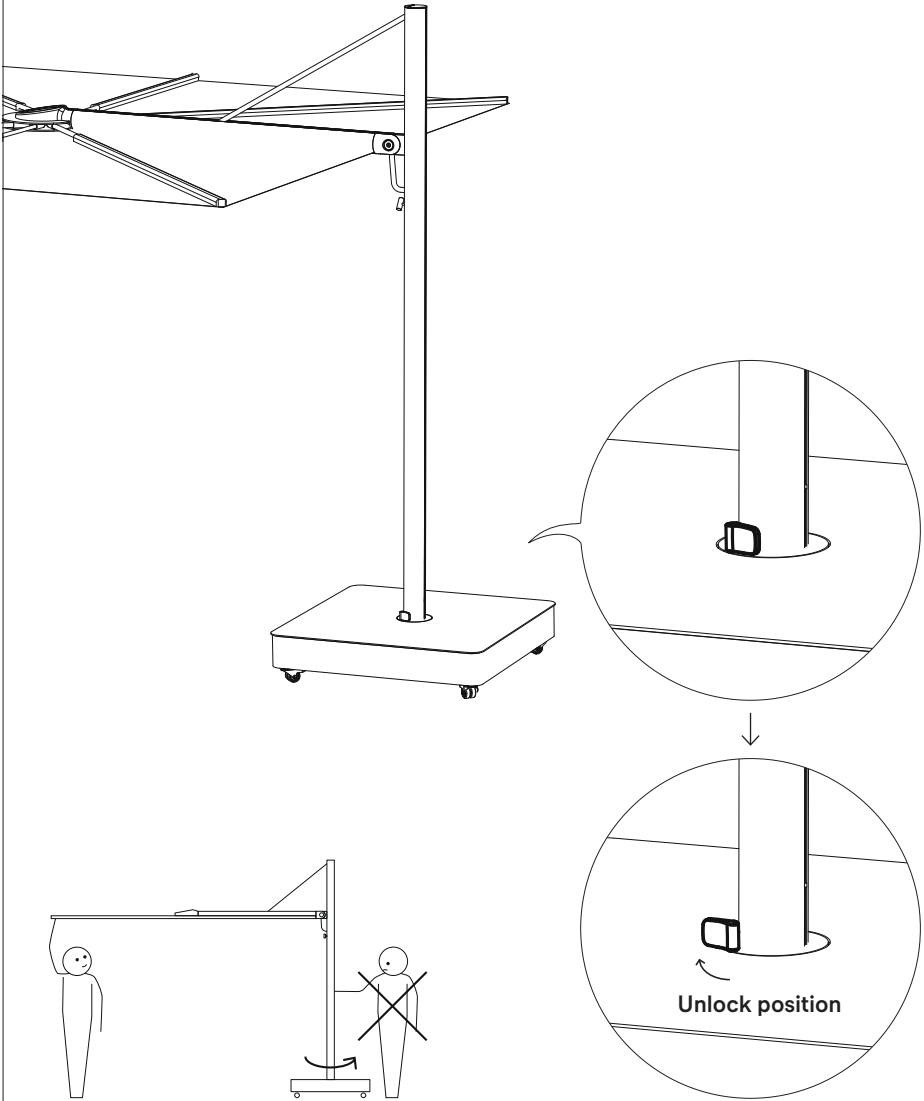
Open / Close





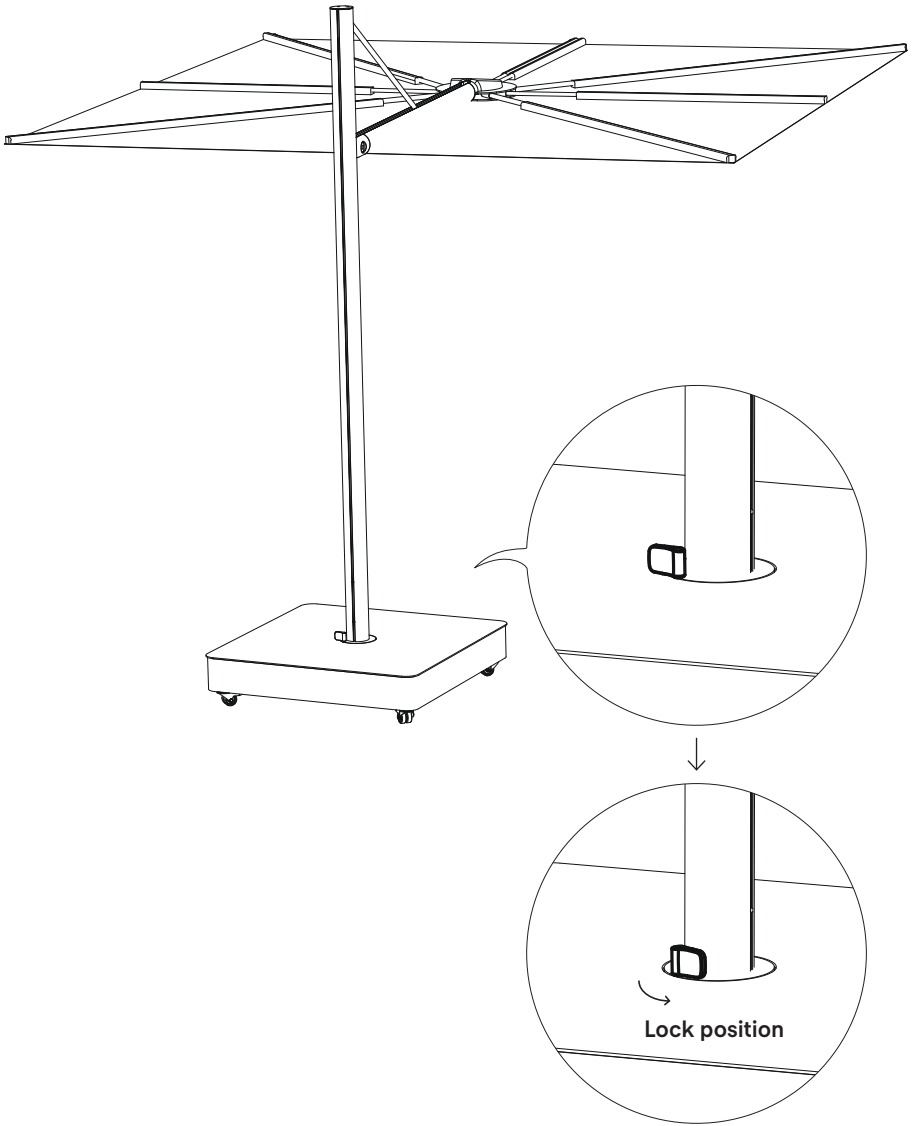
**Put the Sensu in a tilted position for water drainage & wind advantage
We strongly advise you to close the shade at wind speed 28 km/h (18 mph)**

Rotate 360°



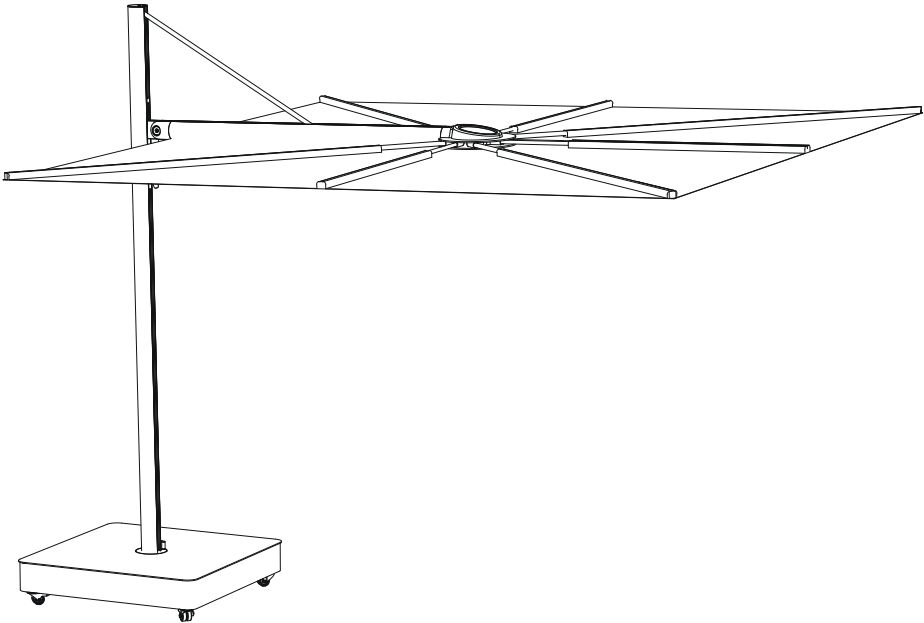
Turn the rotating pin 180° to unlock the pole

Tip: take corner of the fabric to turn easily

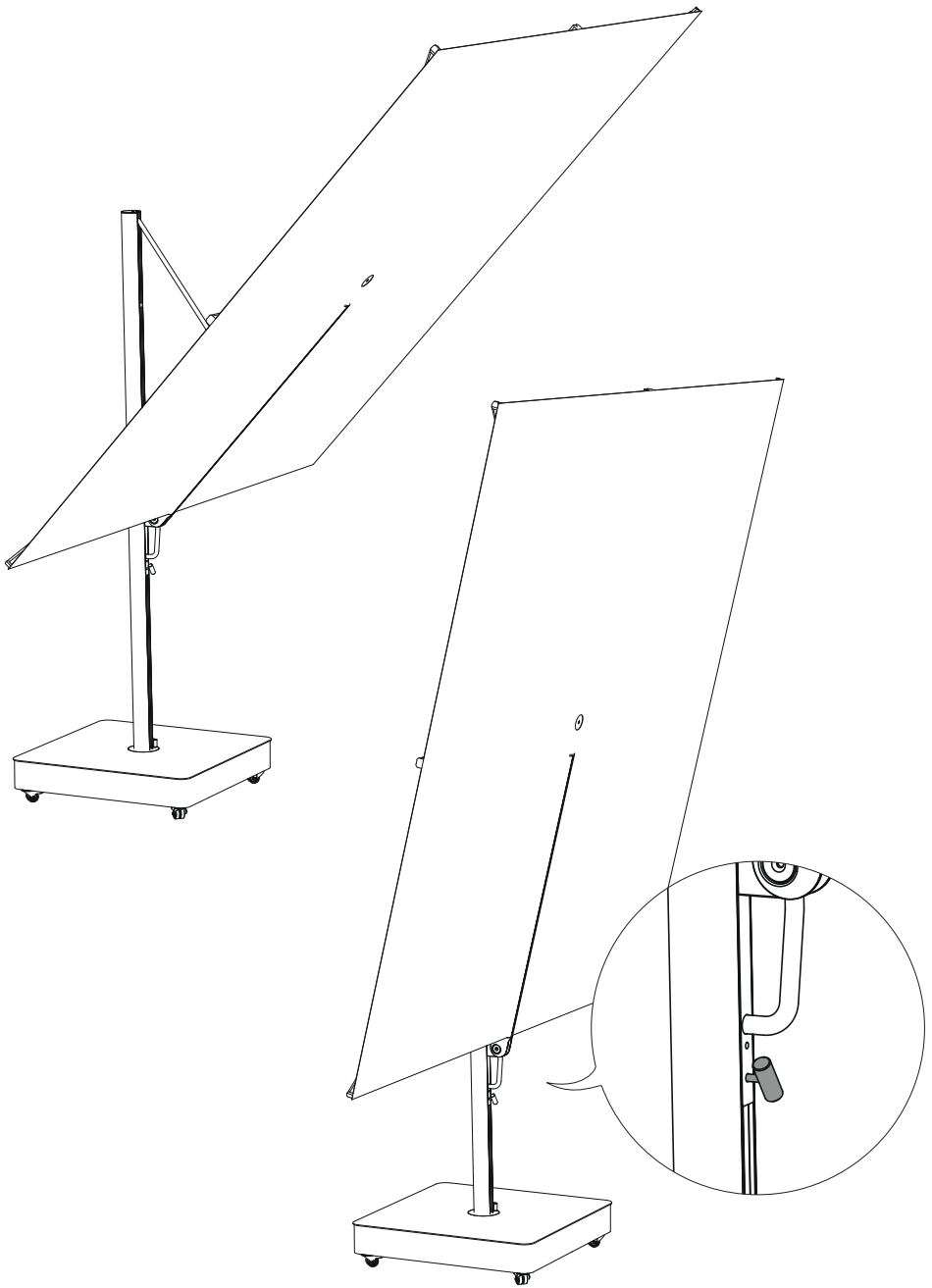


When in desired position, lock the rotating pin by turning it back 180°
Rotate the parasol a bit until you here it "lock"

Tilting vertically



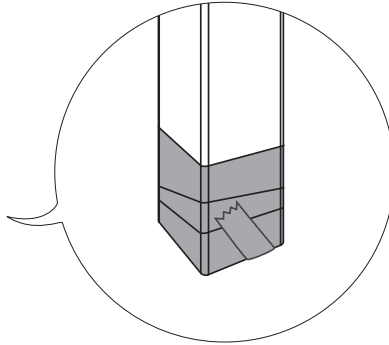
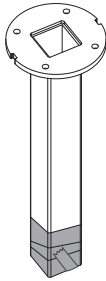
Use the handle to tilt the shade up and down



Fix handle in the desired position

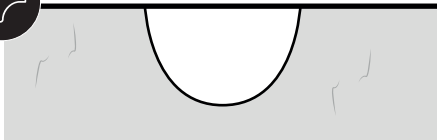
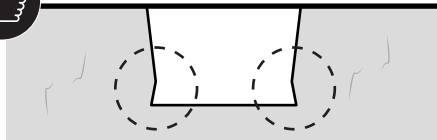
Assembly with permanent fixation

1.

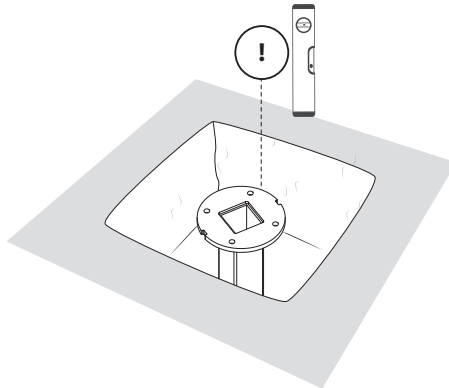
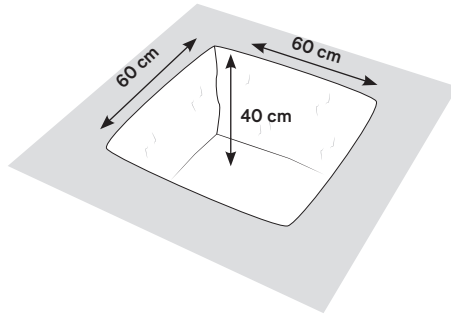
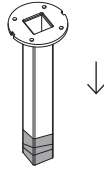


Use tape to close the bottom side of the tube

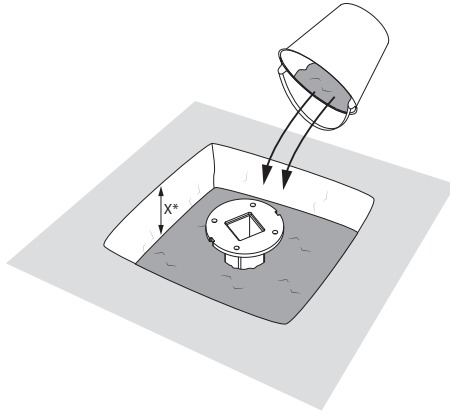
2.



3.

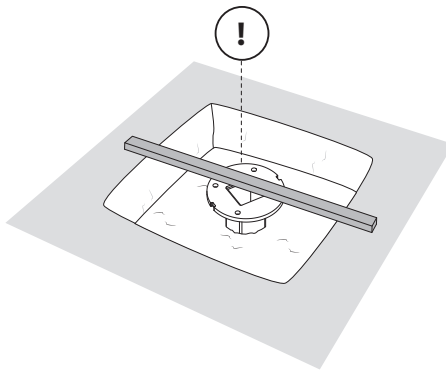


4.

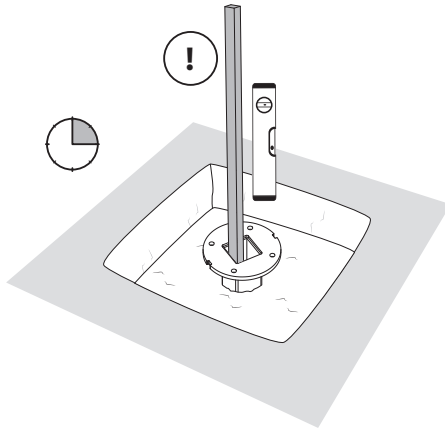


	 GRASS	 GRAVEL	 H + TILES
 X*	10 cm	4 cm	= H

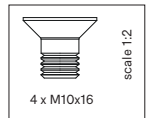
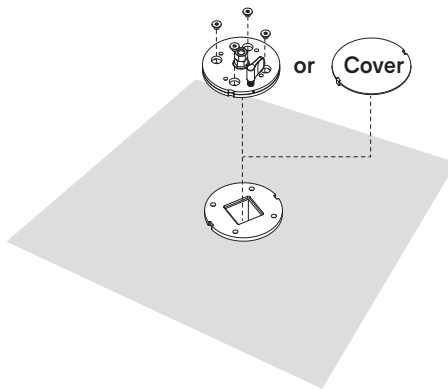
5.



6.



7.

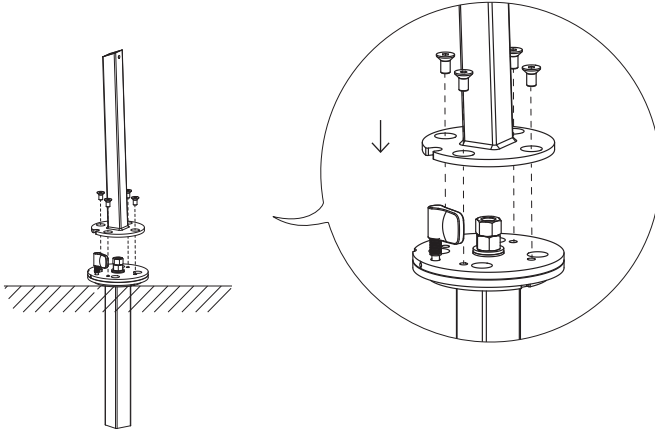


8.

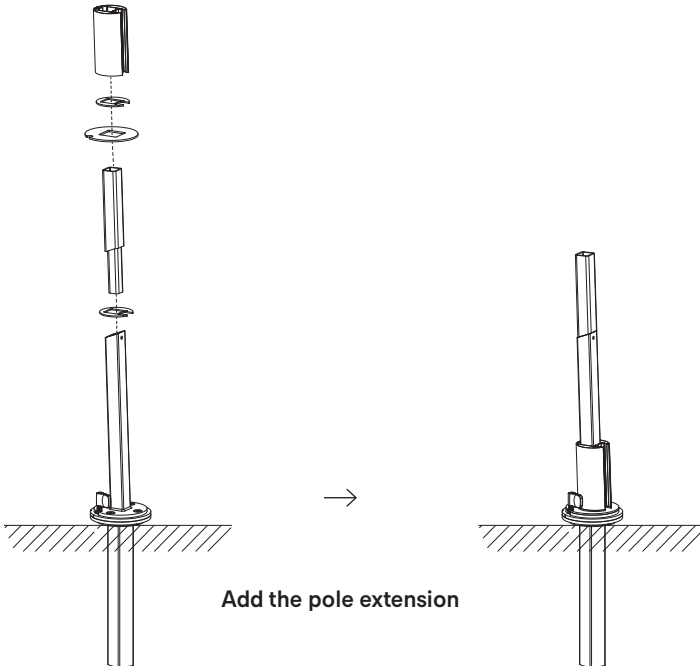


Take the included parasol support out of the pole

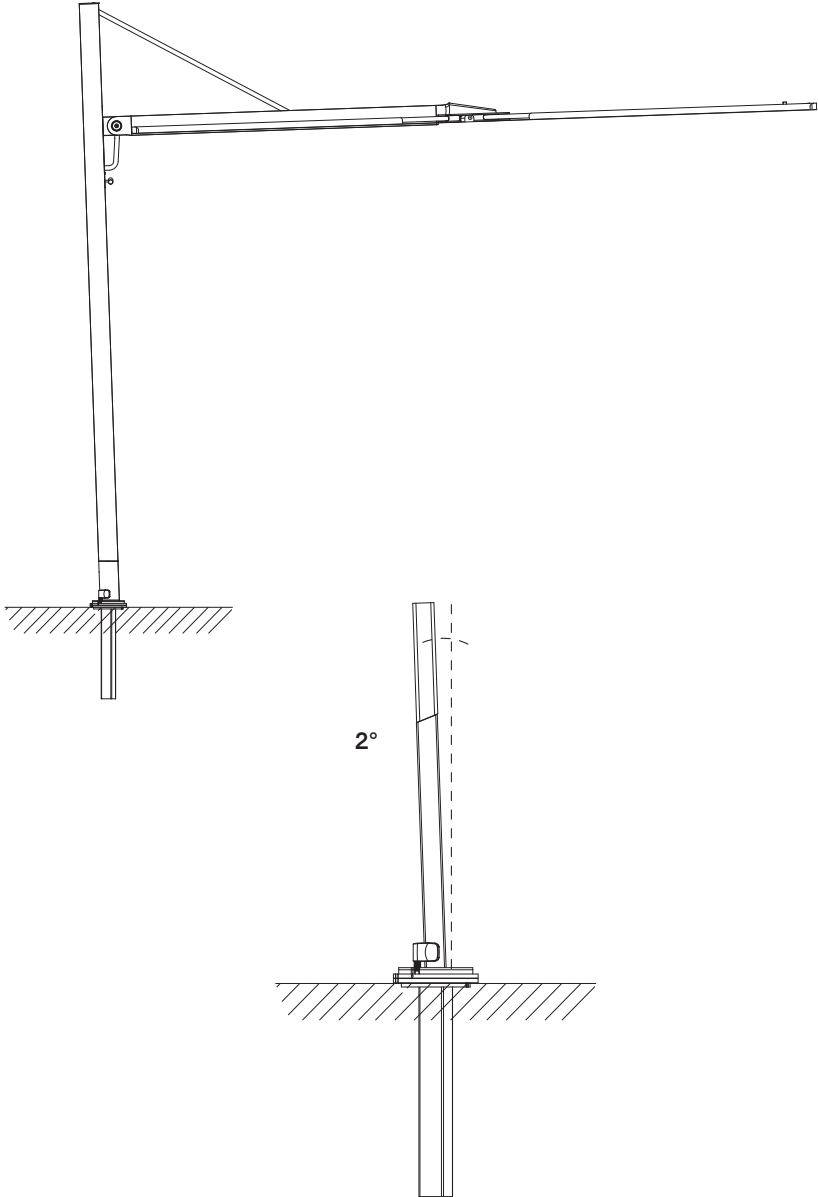
9.



10.

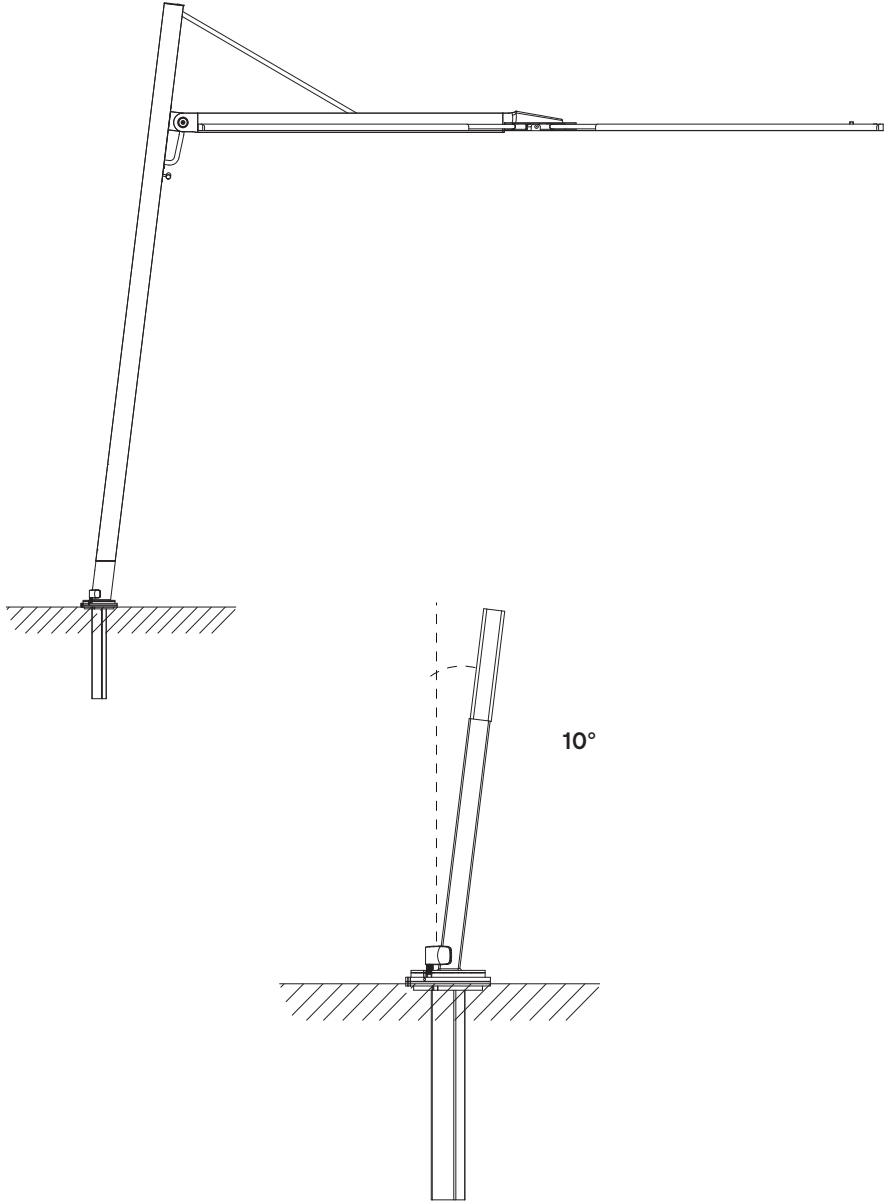


11. Straight



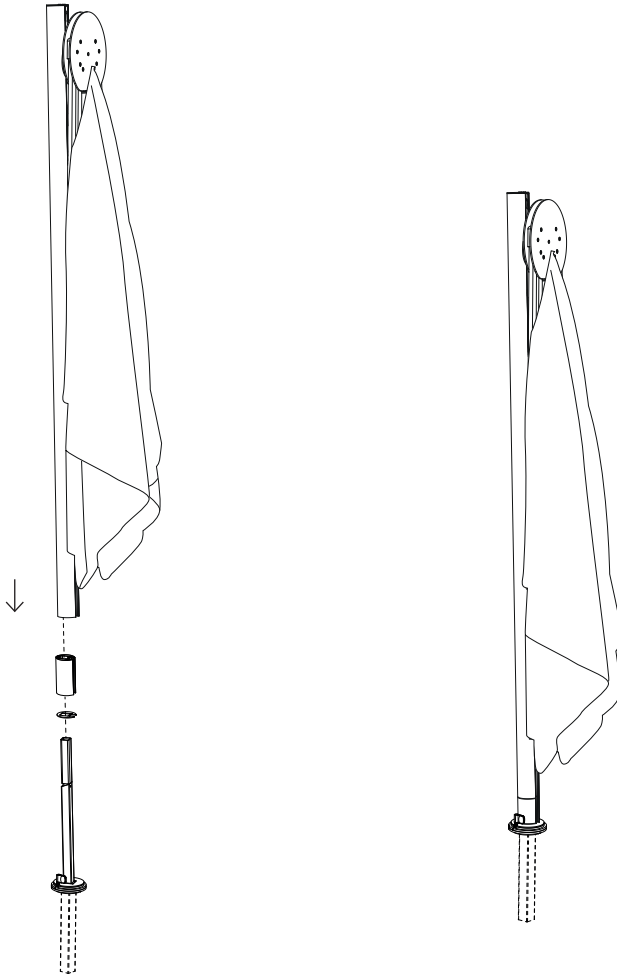
Make sure shade is tilted backwards

11. Tilted

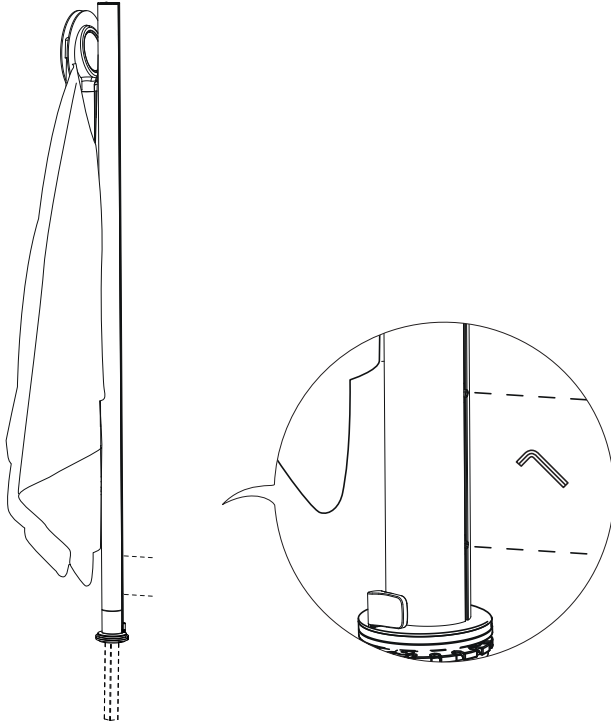


Make sure shade is tilted forward

12.



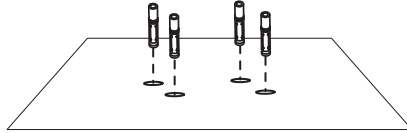
13.



Tighten the two adjusting screws on the back

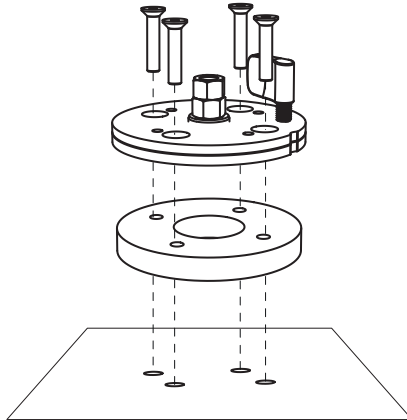
Assembly with floor fastening

1.



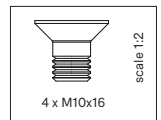
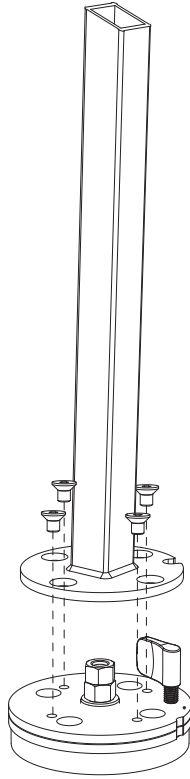
Use the spacer to mark the holes

2.

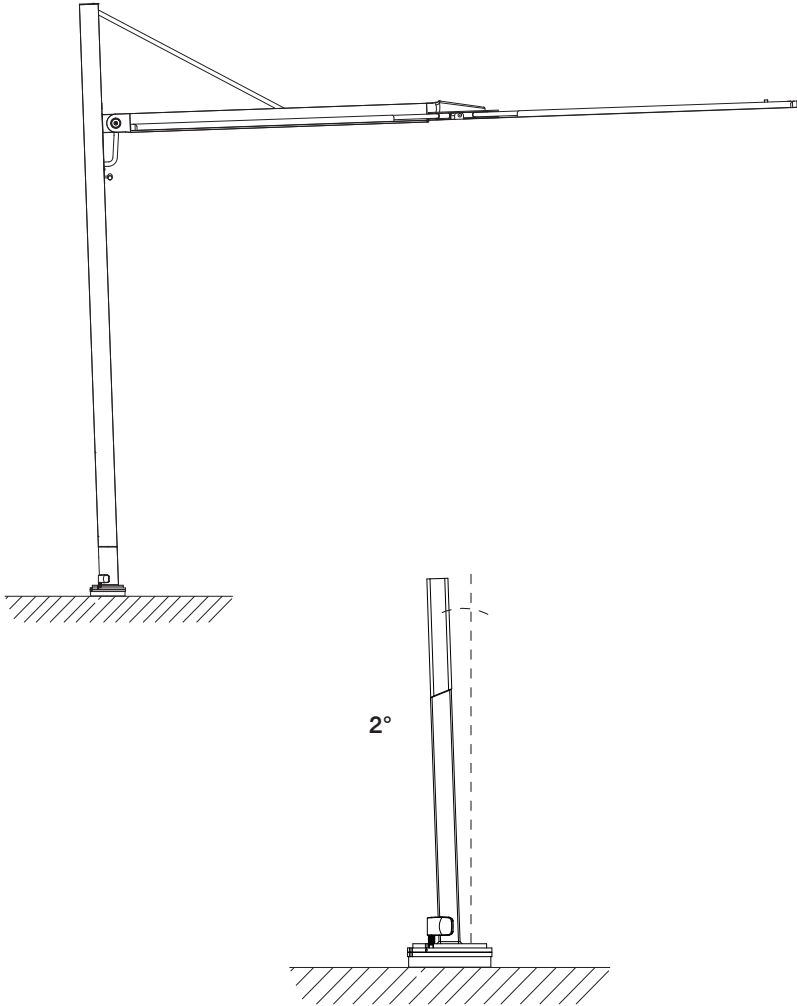


Use suitable bolts or screws from a specialized store depending on the material your terrace is made of

3.

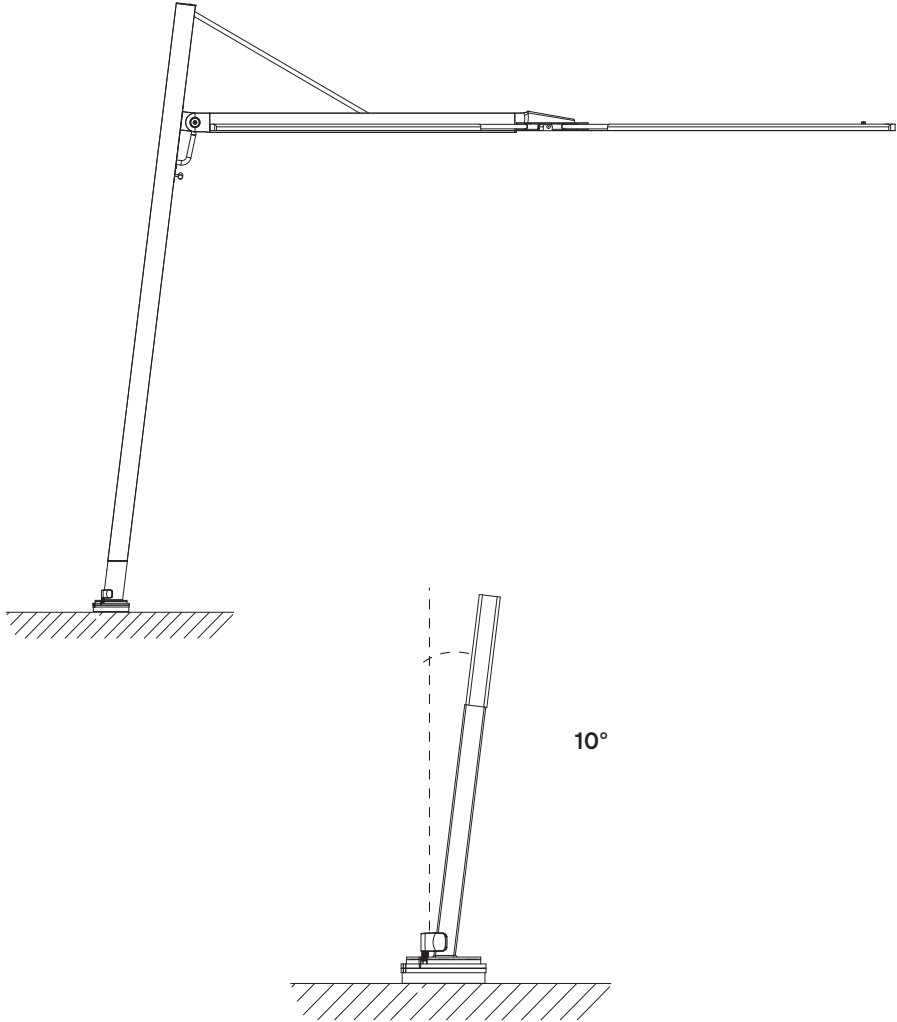


4. Straight



Make sure shade is tilted backwards

4. Tilted



Make sure shade is tilted forward

Warnings – Assembly text instructions – Maintenance

English

WARNINGS

General

- Do not use any sharp tools to open the packaging.
- We strongly advise against using power tools.
- Tripping hazard, mind your step.
- Do not put out cigarettes on the shade.
- Not graffiti proof.
- Do not leave children unattended whilst playing underneath the shade.
- Colors can differ over years and from batch to batch.

Product

- Do not drag the shade, but carry it with minimum 2 people.
- Anchoring the product has to be done by qualified people.
- For anchoring: use suitable bolts or screws from a specialized store depending on the material your terrace is made of.
- In case of strong winds or if it is not being used, close the shade and tilt the latches downwards. Put the protective cover over the shade to prevent it from blowing open or getting dirty.
- For ventilation purposes, the cover is not 100% water proof.
- Store the parasol when not in use for a long time as follows: completely dry and in a dry environment.
- Do not leave the parasol closed for a long time when the parasol fabric is still damp or wet.
- Do not leave the shade unattended when opened.
- Tests in a windtunnel have shown that the shade withstands wind speeds up to 49 km/h (31 mph). Still, we strongly advise to close it sooner (from wind speed 28 km/h (18 mph) is the rule of thumb.
- We advise to position the shade in the direction of the wind, put the arm in a 5° à 10° angle.
- Fix the closed Sensu with the supplied strap.

Powder coating

- White powder coating requires more maintenance.
- Do not use abrasive scouring powders or scourers as they will scratch the surface.
- Color can fade to some extent when exposed to UV.
- Flame retarding - NEN-EN13501-1 A2-sl -

Satisfying the same criteria as Class B for the SBI-test according to EN13823. In addition, under conditions of a fully developed fire these products will not significantly contribute to the fire load and fire growth.

- Dark colors can get very hot in sunny weather.

Acrylic fabric

- White fabric requires more maintenance.
- Shake or brush off loose dirt immediately.
- Do not use any aggressive detergents as they will remove the protective coating of the fabric.
- We strongly advise you not to use a high-pressure hose for cleaning.
- UV color fastness: 7/8 (ISO 105-B02).

ASSEMBLY INSTRUCTIONS

Wheel base - p10

1. Put the wheel base upside down and fix the wheels to the bottom of the base using four bolts M6x12 and four plates.
2. Flip the wheel base on its wheels and fix the rotating system as shown in the drawing with four bolts M10x25 and four plates.
3. Do not use the wheel base without any weight! Add at least 200 kg!
4. Position the large cover plate on top of the base.
5. Take the included parasol support out of the pole.
6. Position the parasol support on top of the rotating system. Make sure that the cutout is positioned with the rotating pin as shown in the drawing.
7. Now position the small cover plate and rubber spacer on top as shown in the drawing.
8. **Straight:** Attention: make sure the shade is tilted backwards 2° as shown in the drawing.
Tilted: The tilted side of the parasol support is the front of the shade.
9. Now slide the parasol pole on top of the parasol support as shown in the drawing.
10. Tighten the two adjusting screws on the back of the pole.

Moving up / down - p18

1. Use the handle to move the shade up / down.
2. Move all the way up until it can't move any further.
3. Fix the handle.

Open / close - p20

1. Open the shade by pulling the outer balleens.

2. Now fix the shade by connecting the two balleens with the hook.
3. Put the Senu in a tilted position for water drainage & wind advantage.

Rotate 360° - p22

1. Turn the rotating pin 180° to unlock the pole.
2. Now take the corner of the fabric to turn the shade easily.
3. When in the desired position, lock the rotating pin by turning it back 180°. Rotate the parasol a bit until you here it "lock".

Tilting vertically - p24

1. Use the handle to move the shade up / down.
2. Fix the handle when the shade is in the desired position.

Permanent fixation - p26

1. Tape the bottom side of the tube to make sure no concrete gets inside the tube.
2. Make a well as shown in the drawing.
3. Place the anchor in the middle of the well and make sure the anchor is perpendicular.
4. Fill the well with concrete.
5. Make sure the top of the anchor is aligned with the disired floor.
6. Check if the anchor is still perpendicular and let it rest for a while until the concrete is hard.
7. Fix the rotating system to the anchor and fix with 4 bolts M10x16. Or place the included cover plate when not using the rotating system.
8. Take the included parasol support out of the pole.
9. Position the parasol support on top of the rotating system. Make sure that the cutout is positioned with the rotating pin is shown in the drawing.
10. Now position the rubber spacer and pole extension on top as shown in the drawing.
11. **Straight: Attention:** make sure the shade is tilted backwards 2° as shown in the drawing.
Tilted: The tilted side of the parasol support is the front of the shade.
12. Now slide the parasol pole on top of the parasol support as shown in the drawing.
13. Tighten the two adjusting screws on the back of the pole.

Floor fastening spacer plate - p36

1. Use the spacer plate to mark the holes.
2. First position the floor fastening spacer plate on top of the holes and then fix the rotating system as show in the drawing. Use suitable bolts or screws from a specialized store depending on the material your terrace is made of.

3. Take the included parasol support out of the pole and position the parasol support on top of the rotating system. Make sure that the cutout is positioned with the rotating pin as shown in the drawing and fix with four bolts M...x...
4. **Straight: Attention:** make sure the shade is tilted backwards 2° as shown in the drawing.
Tilted: The tilted side of the parasol support is the front of the shade.

MAINTENANCE

Powder coating

CLEANING

Regularly

Use Extremis Multicleaner, a 100% biodegradable detergent or common kitchen cleaning products. Avoid using aggressive products. These surfaces are best cleaned with a neutral cleaning product diluted in water.

REPAIRING DAMAGED POWDER COATING

When damaged

The impact of sharp objects can damage the coating. Scratches or dents can be touched up with our paint pens. However this only camouflages the scratches without removing them.

Acrylic fabric

CLEANING

When dirty

Make a solution to remove stains.

REMOVING STUBBORN STAINS

Only if nothing else helps

More drastic measures needed? Bleach can be used if nothing else helps. Protect the area around your fabric when using a bleach solution – bleach may discolor fabrics. Please be aware of the environment when cleaning with bleach. Bleach can have harmful effects on the natural environment around you. We do not advise using bleach if you are surrounded by a body of water or another environment that could be affected. If stains and/or mildew marks are severe, the quantity of bleach may be increased.

Watch the maintenance video on our website:
www.extremis.com/maintenance





Our headquarters:
Couthoflaan 20b
B-8972, Poperinge
info@extremis.com
+ 32 57 346020

extremis.com

Connect with us:



All rights reserved. Unless otherwise specified, all designs and photographs contained in this publication are copyright protected and are the property of Extremis. No part of this publication may be copied or distributed without Extremis' prior written consent. The names of the authors of photographs to which we do not hold rights are mentioned here. We have done our utmost to provide a comprehensive list of names. In the event of an alleged breach, please contact the editorial staff. © Extremis

20231220