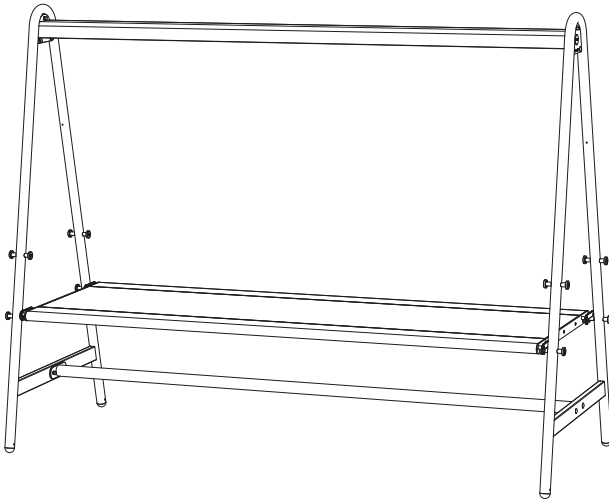


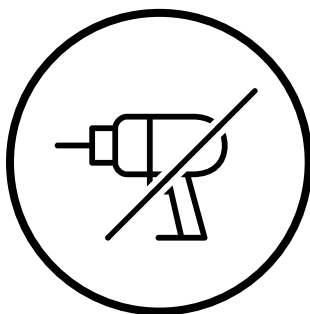
# AMAi

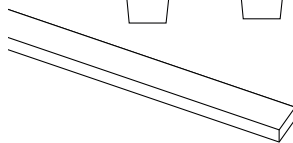
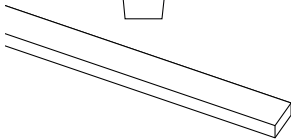
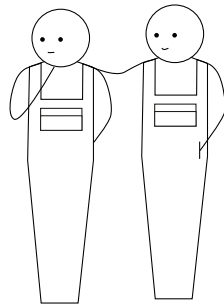
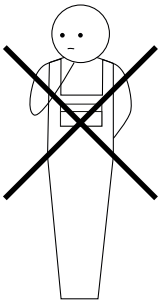
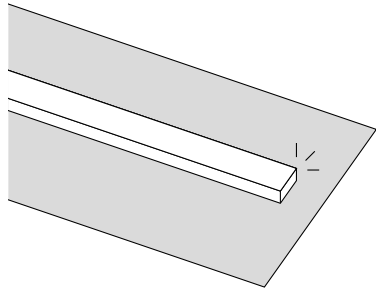
Powder coated version



**extremis®**

**IMPORTANT! RETAIN FOR FUTURE  
REFERENCE: READ CAREFULLY.**





# Table of contents <sup>1/4</sup>

**Mounting kit <sup>↗</sup>**

---

**Exploded view <sup>↗</sup>**

---

**Assembly standard module <sup>↗</sup>**

---

**Assembly extension module <sup>↗</sup>**

## **This is an interactive PDF**

You can easily navigate through this manual, allowing you to smoothly jump from one page to the other.



# Table of contents <sup>2/4</sup>

**Add-on table <sup>↗</sup>**

---

**Assembly screenholder <sup>↗</sup>**

---

**Assembly tabletop fixation <sup>↗</sup>**

---

**Assembly leveling feet <sup>↗</sup>**

**This is an interactive PDF**

You can easily navigate through this manual, allowing you to smoothly jump from one page to the other.

# Table of contents <sup>3/4</sup>

**Assembly floor fastening <sup>↗</sup>**

---

**Assembly hanging hook <sup>↗</sup>**

---

**Assembly LED module <sup>↗</sup>**

---

**Assembly multiple LED modules <sup>↗</sup>**

## **This is an interactive PDF**

You can easily navigate through this manual, allowing you to smoothly jump from one page to the other.

# Table of contents <sup>4/4</sup>

Assembly shade & market shade <sup>↗</sup>

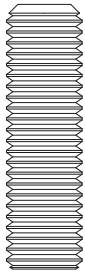
---

Warnings - Text instructions -  
Maintenance <sup>↗</sup>

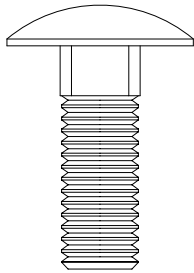
## **This is an interactive PDF**

You can easily navigate through this manual, allowing you to smoothly jump from one page to the other.

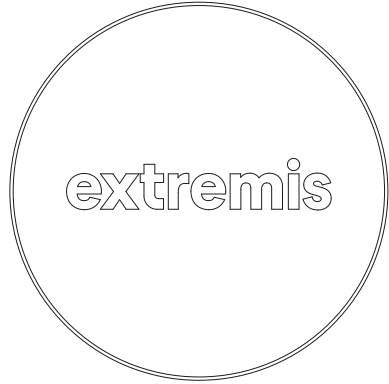
# Mounting kit



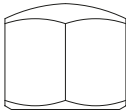
2 x M10x35



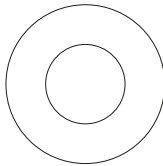
4 x M10x25



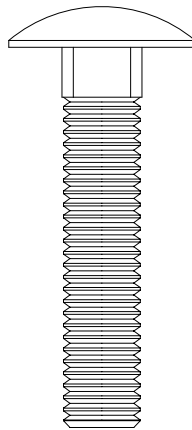
2 x dop



12 x M10

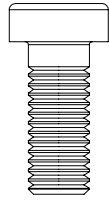


12 x washer M10

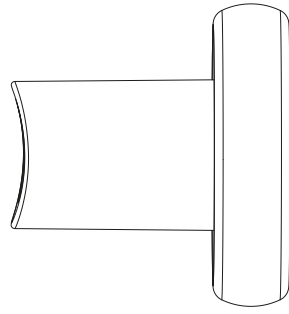


4 x M10x45

Mounting kit **AMA284** to fix A-frames



8 x M8x20

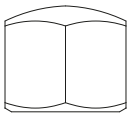


8 x Plastic cap

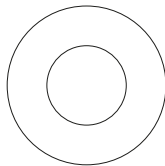


4 x Connector axis

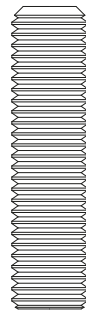
Mounting kit **AMA201-1** to fix the black dots to the A-frame



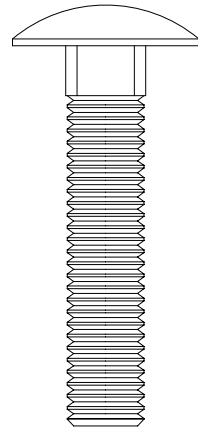
8 x M10



8 x M10



3 x M10x40

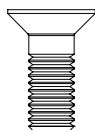


2 x M10x50

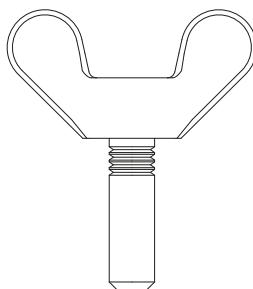
Mounting kit **AMA239-1** to fix the extension module



4 x spacer

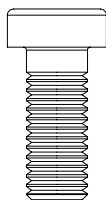


4 x M6x16

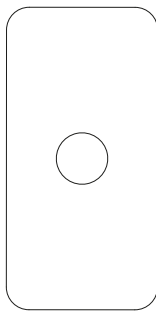


4 x M6x20

Mounting kit **AMA440** to fix the tabletop fixation



2 x M8x20



2 x connection plate

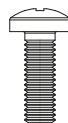
Mounting kit **AMA442** to fix the floor fastening feet



4 x Spacer

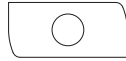


4 x M4x20

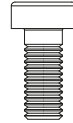


4 x M4x12

Mounting kit **AMA435** to fix the screenholder

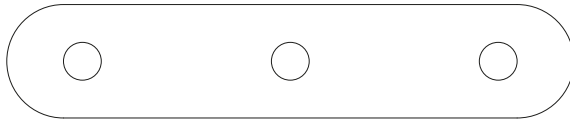


hammer nut



2 x M5x12

Mounting kit **AMA517** to fix the hanging hook



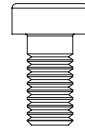
6 x flat plate



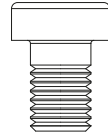
4 x shade spacer



6 x M6



6 x M6x12

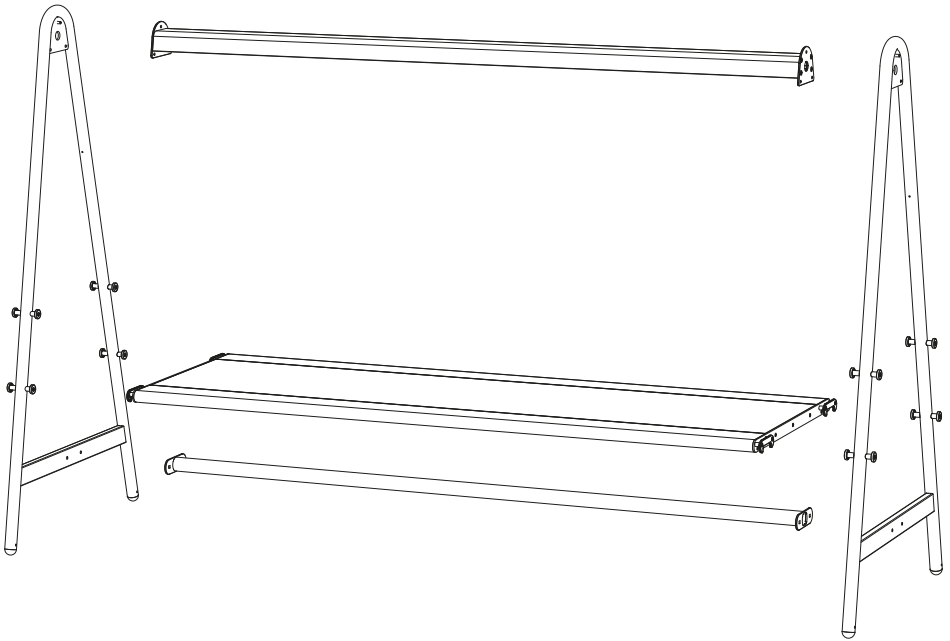


6 x M8x12

Mounting kit **AMA433-1** to fix the shade



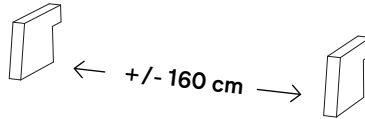
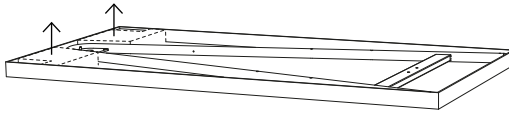
# Exploded view





# Standard module - Powder coated

1.



N° 5



N° 17

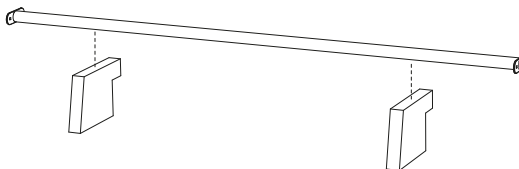


20'

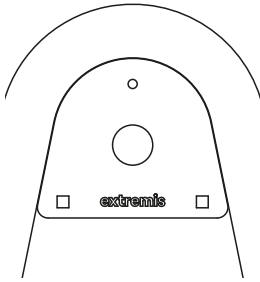


**Use the polystyrene blocks in the packaging of the A-frames for the rest of the assembly!**

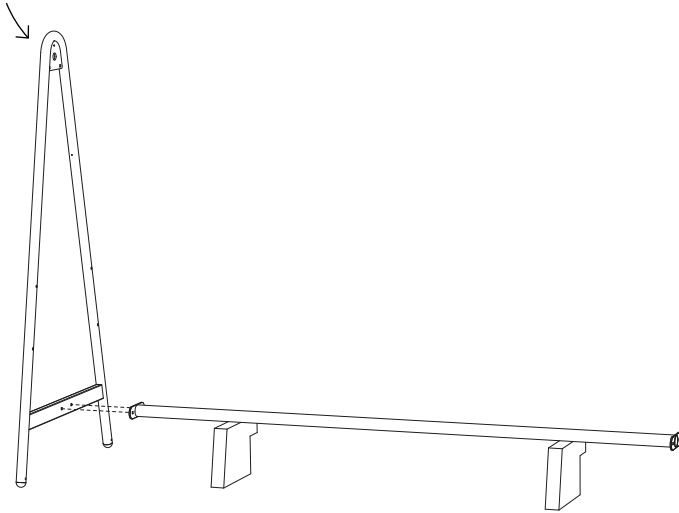
2.



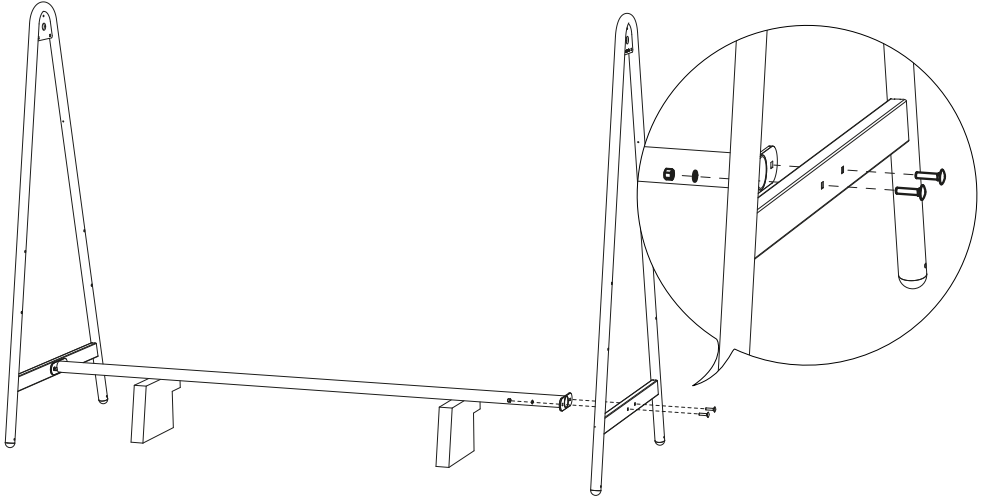
3a.



**Logo on the outside  
on both sides**

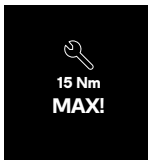


3b.

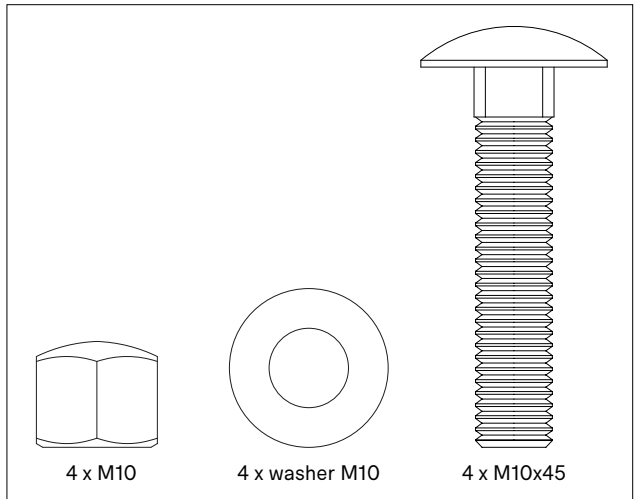


Do this for both A-frames,  
do not tighten!

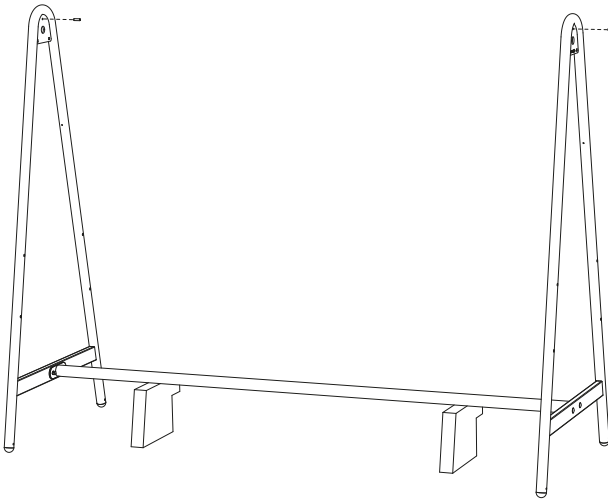
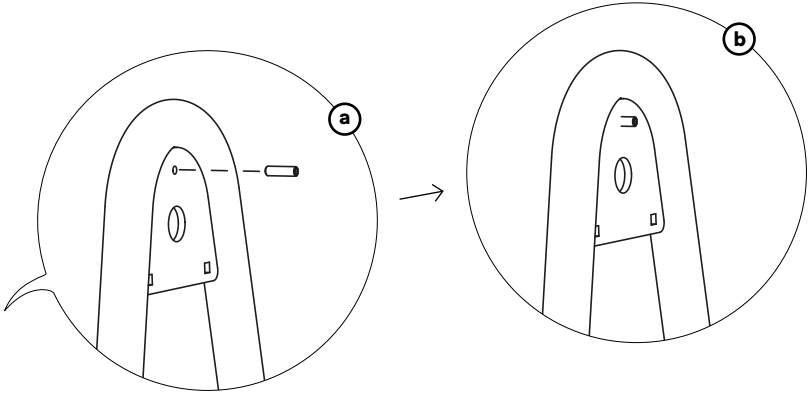
AMA284



Tighten carefully!  
Excessive force may  
damage the coating!

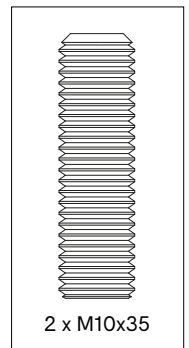


4.



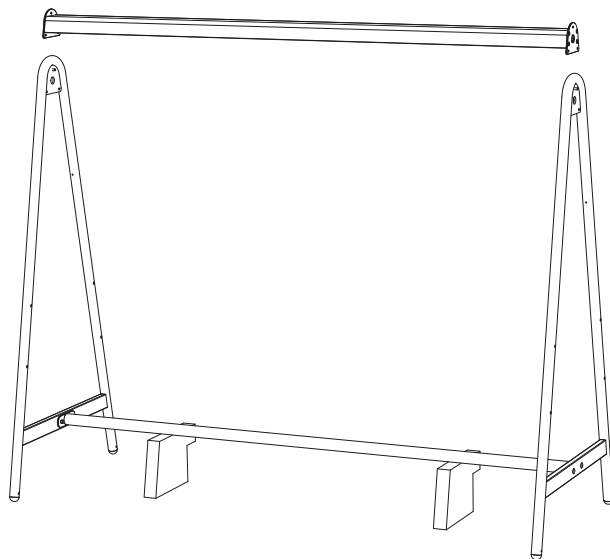
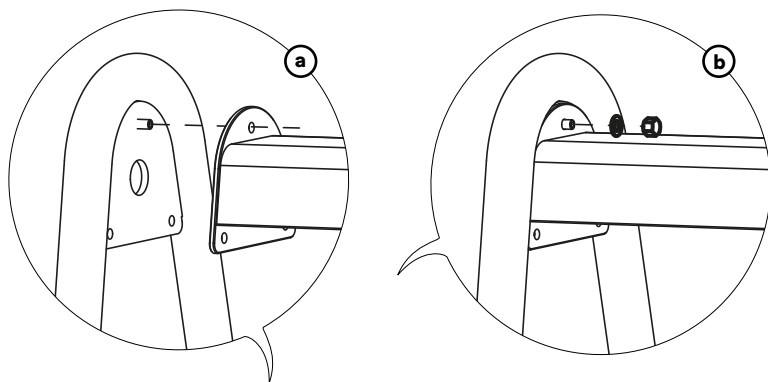
**Make sure the set screw is centered to the A-frame. Do this for both A-frames.**

**AMA284**



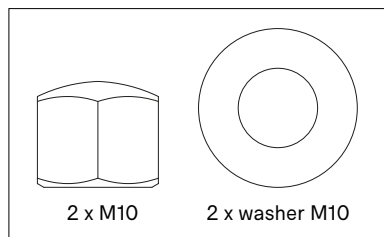
5. Go to page 58 if you want to assemble the LED module ↗

Go to page 67 if you want to assemble the shade or market shade ↗



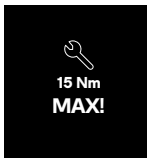
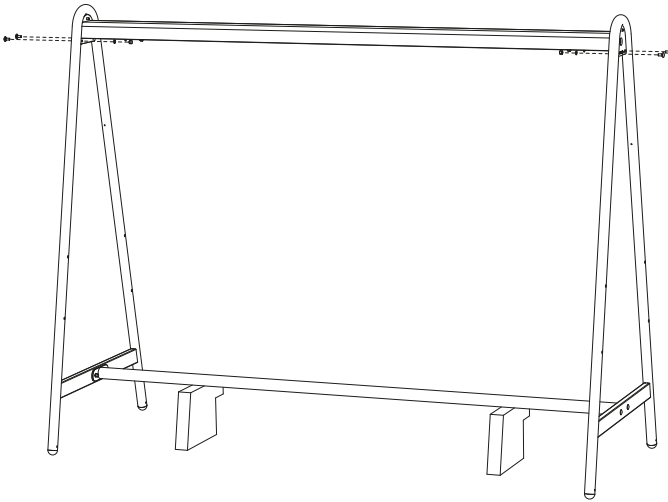
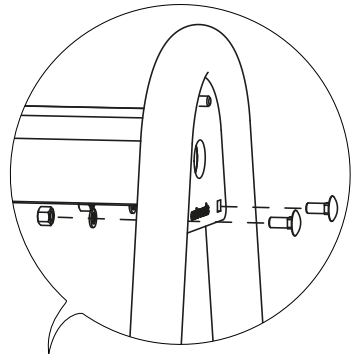
**AMA284**

**Do this for both sides**

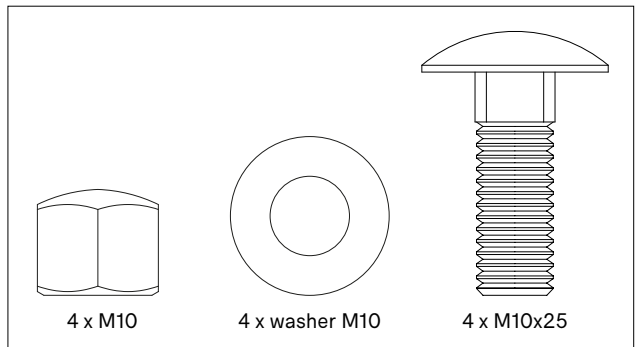


6.

**Do this for both A-frames,  
tighten all bolts!**



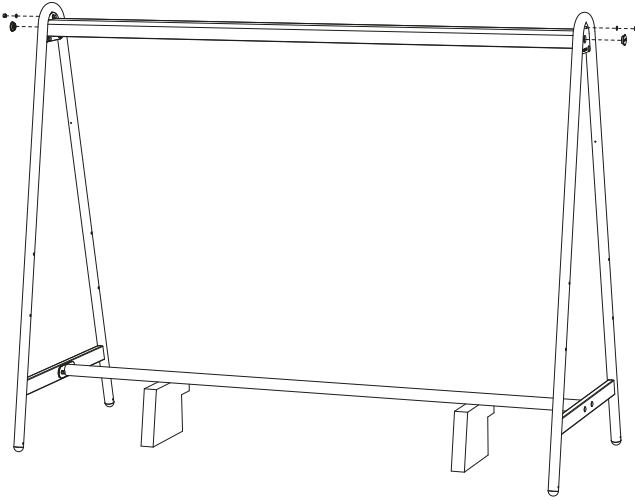
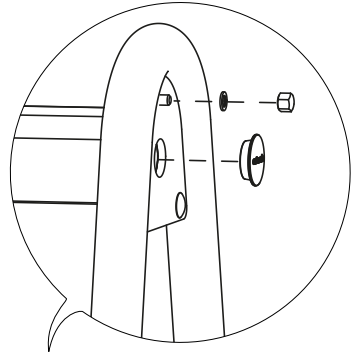
**AMA284**



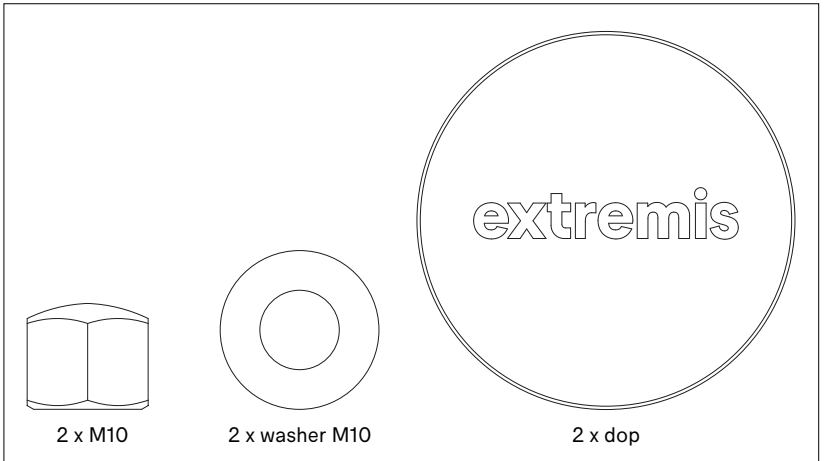
**Tighten carefully!**  
Excessive force may  
damage the coating!

7.

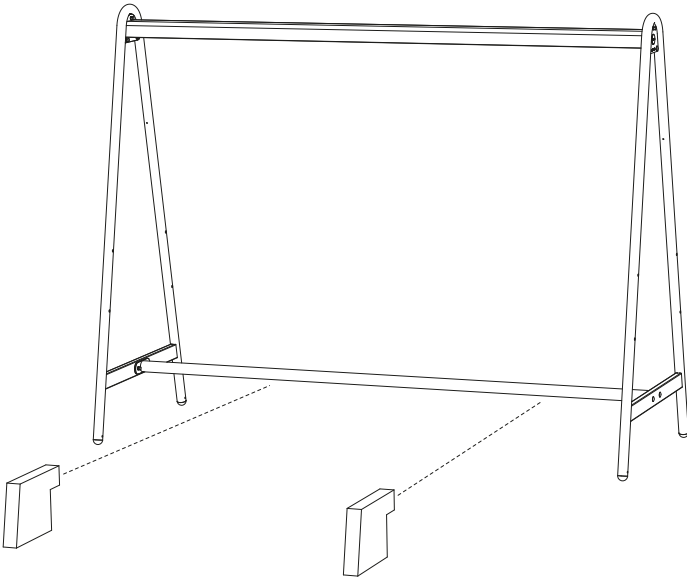
Do this for both A-frames



**AMA284**



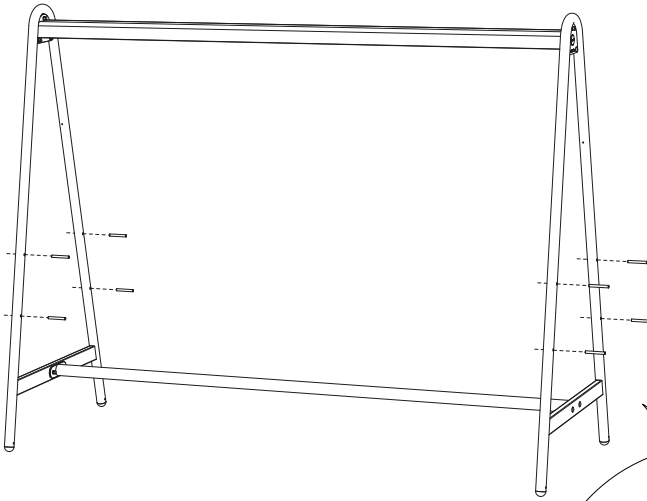
8.



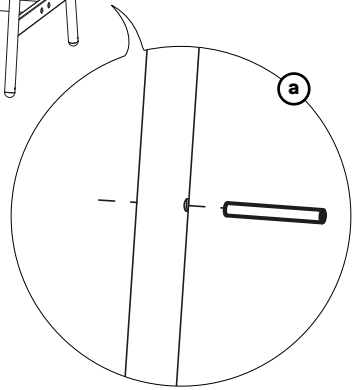
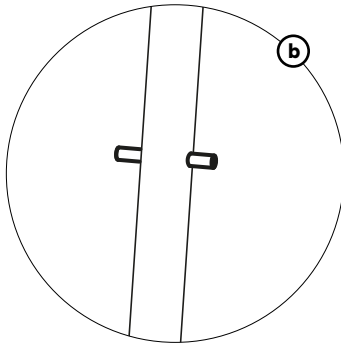
**Remove the polystyrene blocks**



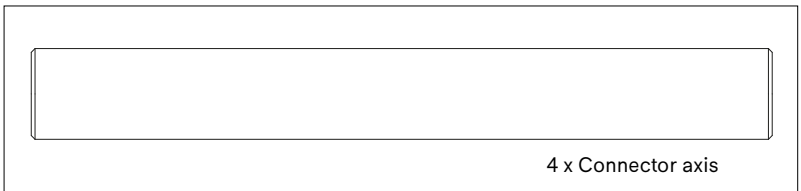
9.



Do this for both A-frames

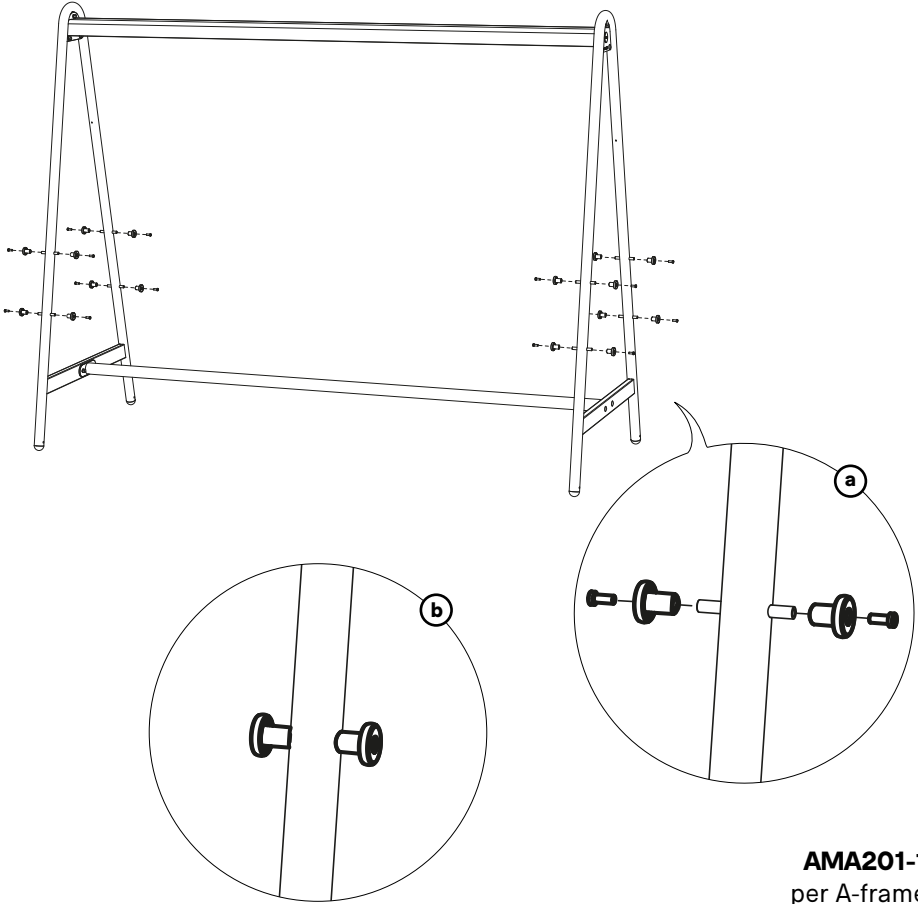


**AMA201-1**  
per A-frame



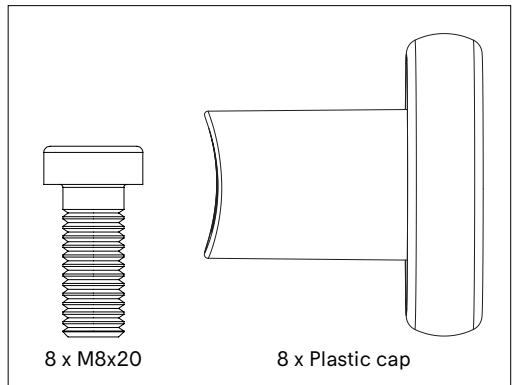
4 x Connector axis

10.

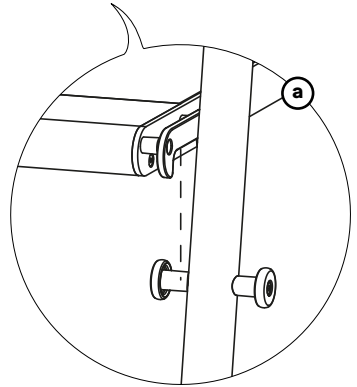
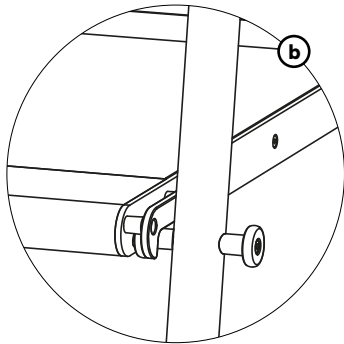
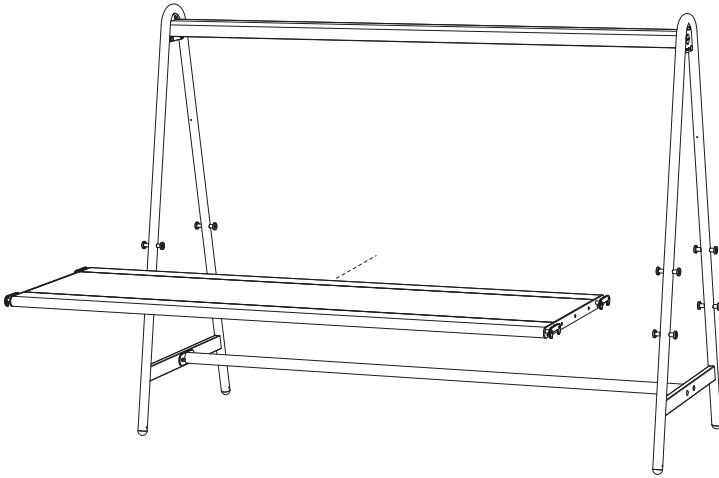


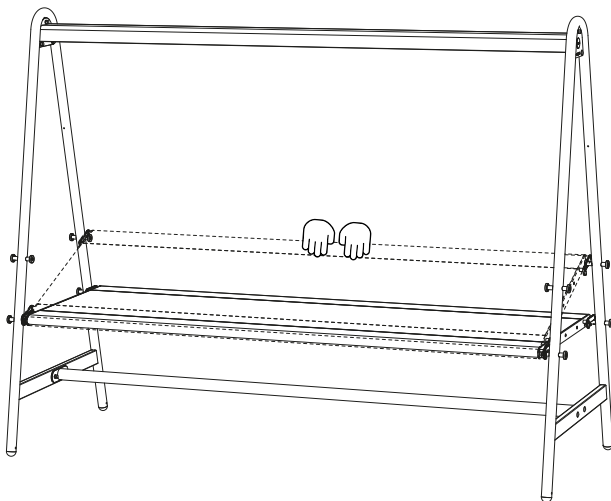
**AMA201-1**  
per A-frame

**Do this for both A-frames**

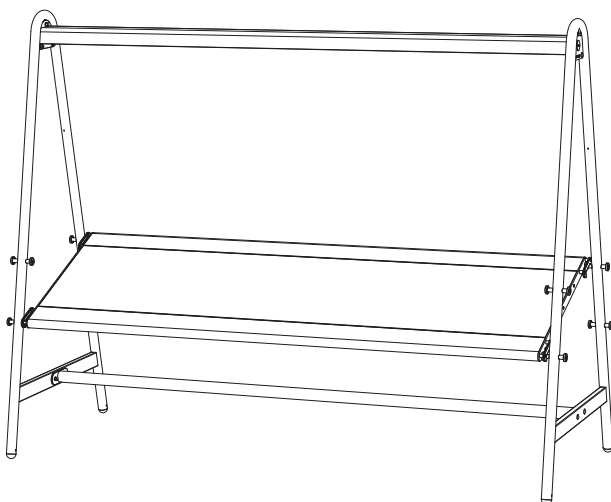


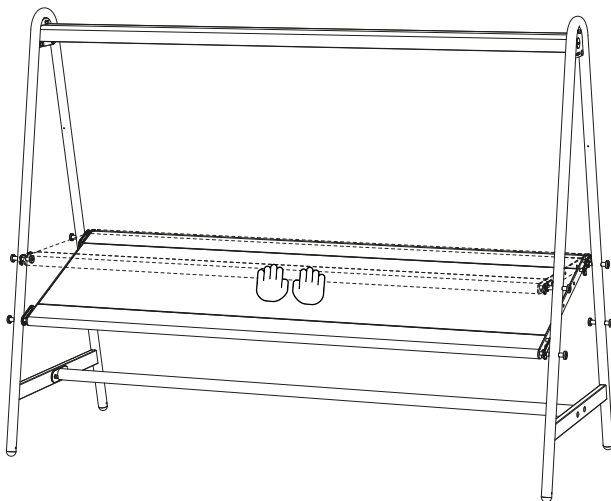
11.



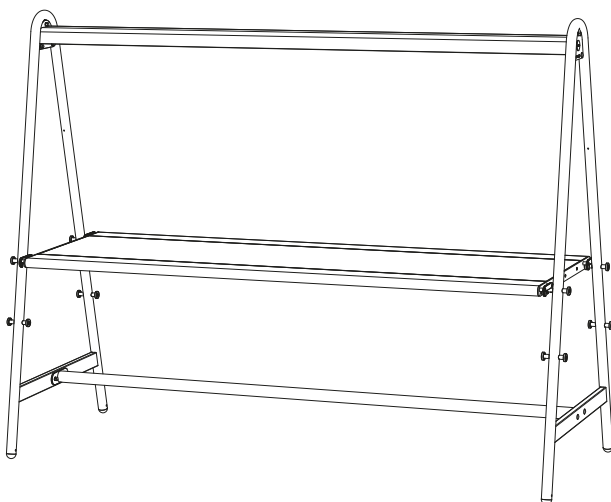


**1<sup>st</sup> side up and pull.**  
**Always make sure to hold the tabletop at its center when moving it up and down!**



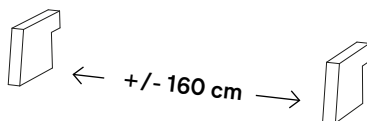
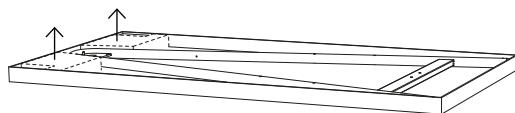


**2<sup>nd</sup> side up and push.**  
**Always make sure to hold the tabletop at its center when moving it up and down!**



# Extension module - Powder coated

1.



N° 5



N° 17

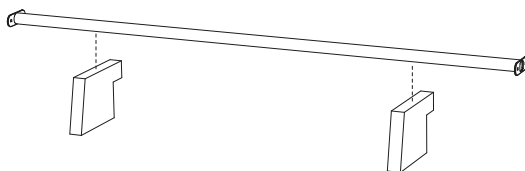


35' - ...'

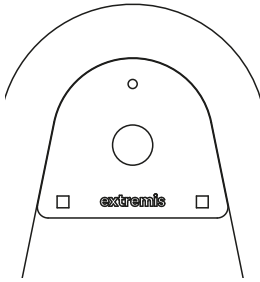


**Use the polystyrene blocks in the packaging of the A-frames for the rest of the assembly!**

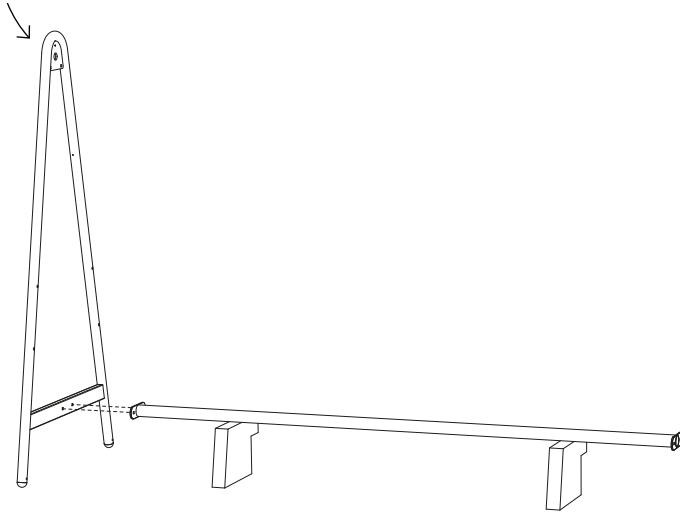
2.



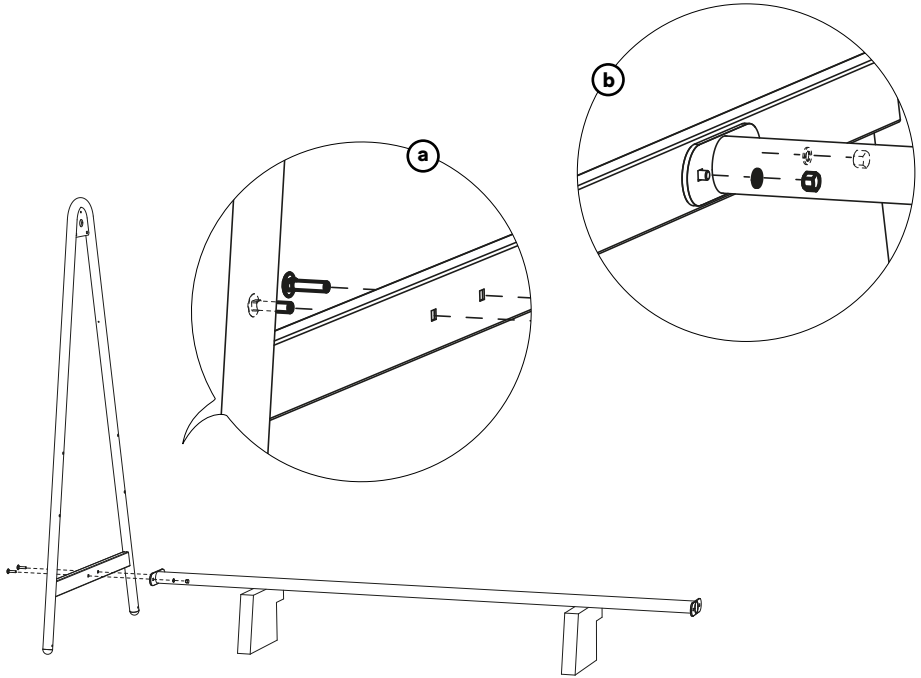
3a.



**Logo on the outside**

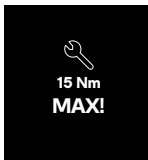


3b.

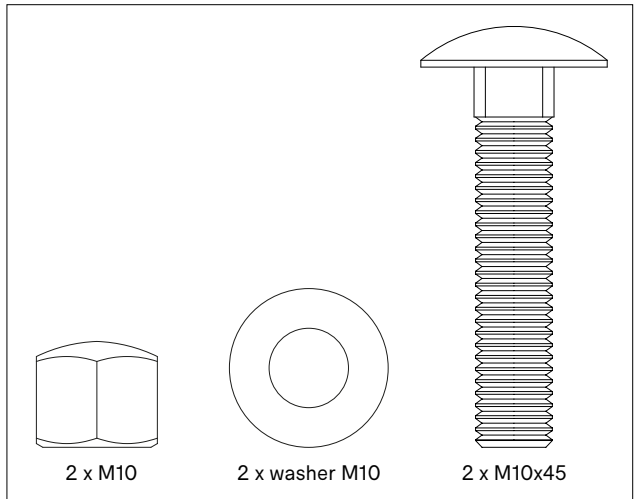


**Do not tighten!**

**AMA284**

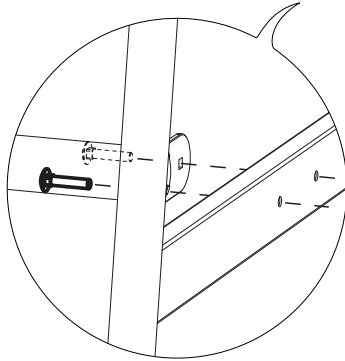
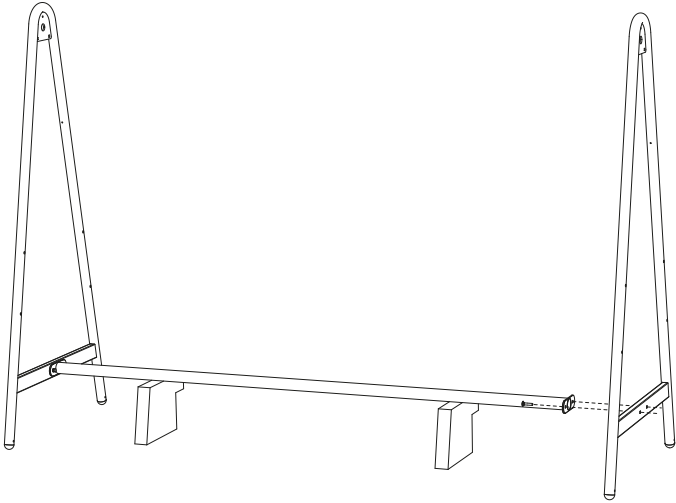


**Tighten carefully!**  
Excessive force may  
damage the coating!

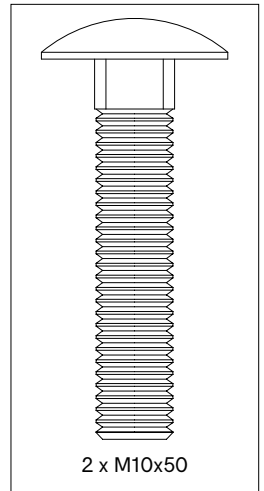




4.

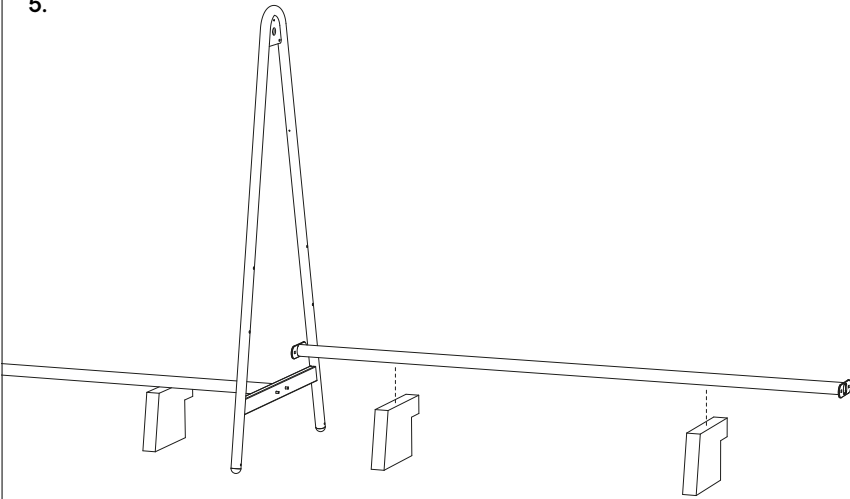


**AMA239-1**

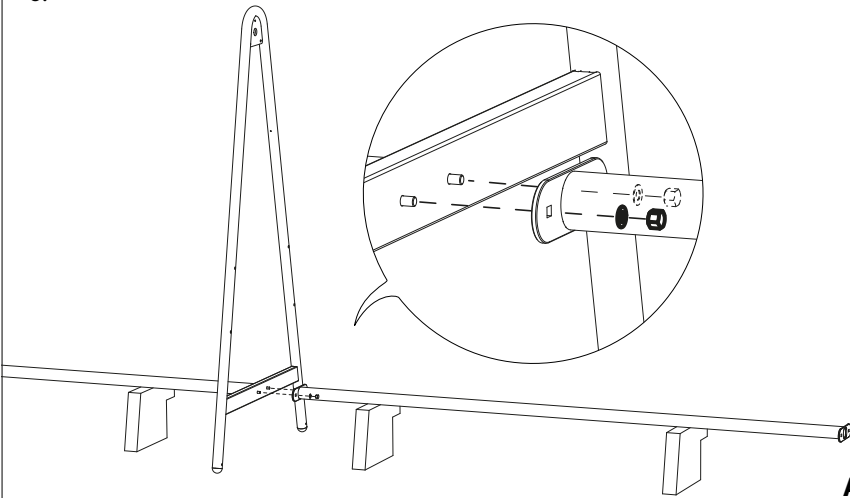


2 x M10x50

5.

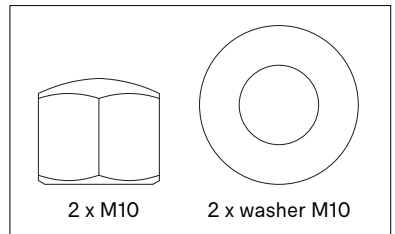


6.

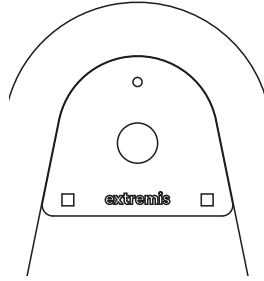


**AMA239-1**

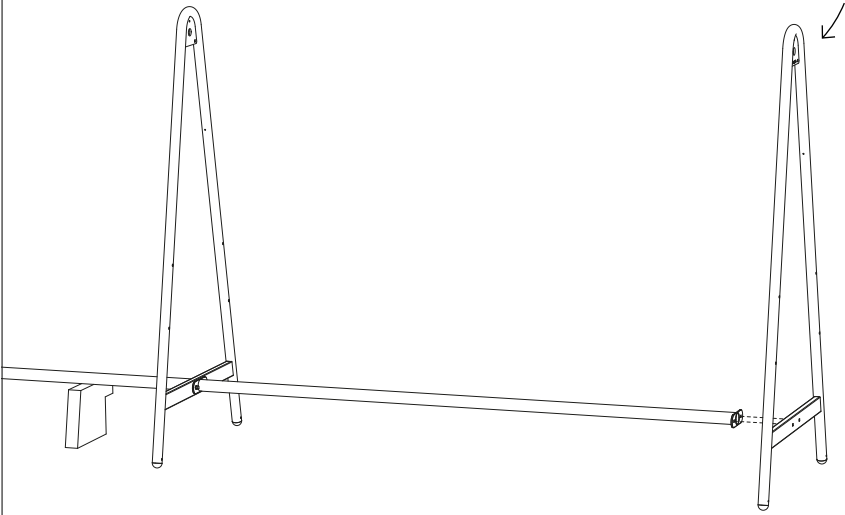
**Do not tighten!**



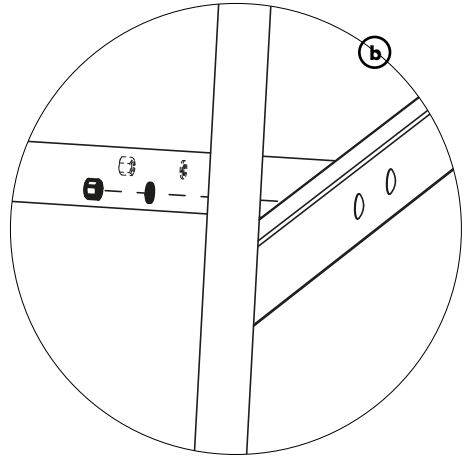
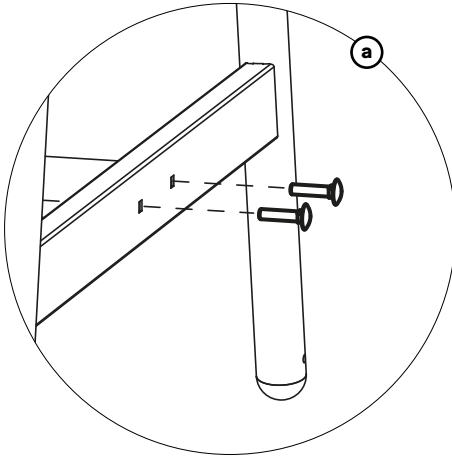
7a.



**Logo on the outside**

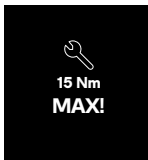


7b.

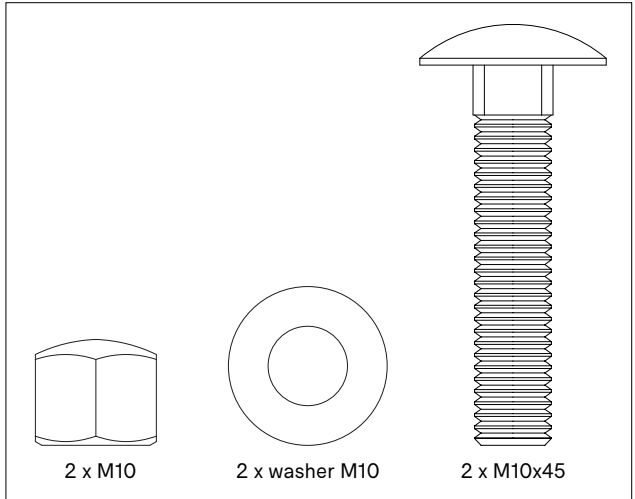


Do this for both sides

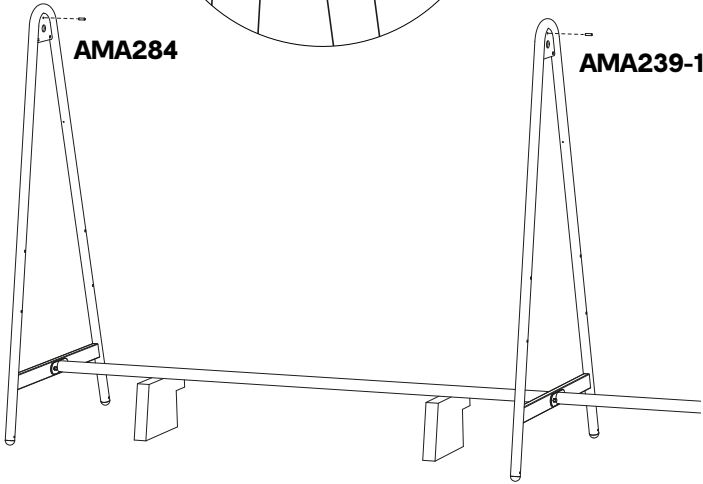
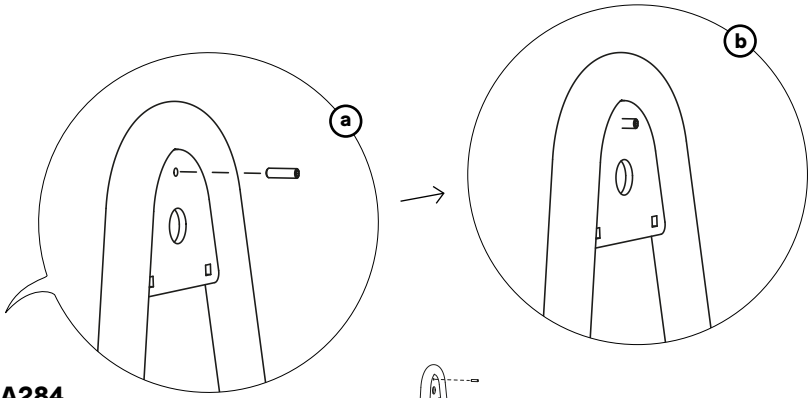
AMA284



**Tighten carefully!**  
Excessive force may  
damage the coating!



8.

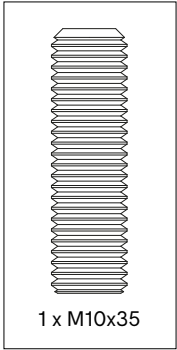


**AMA284**

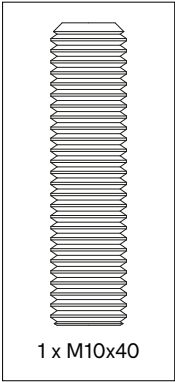
**AMA239-1**

**AMA284**  
per outer  
A-frame

**AMA239-1**  
per center  
A-frame



1 x M10x35

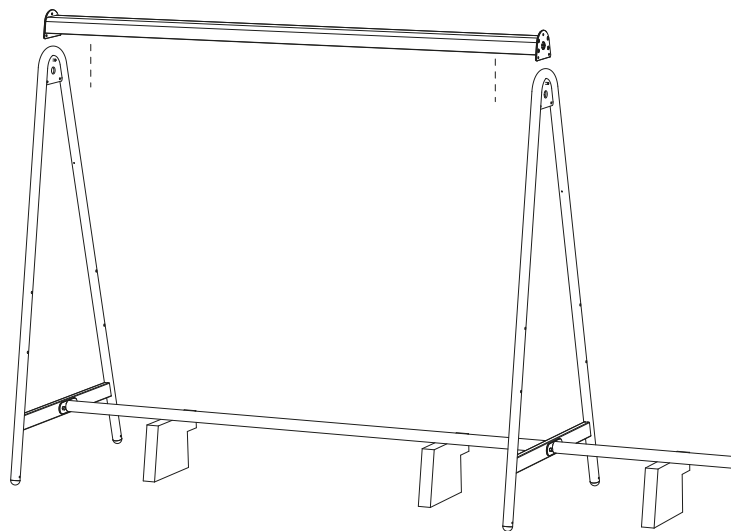
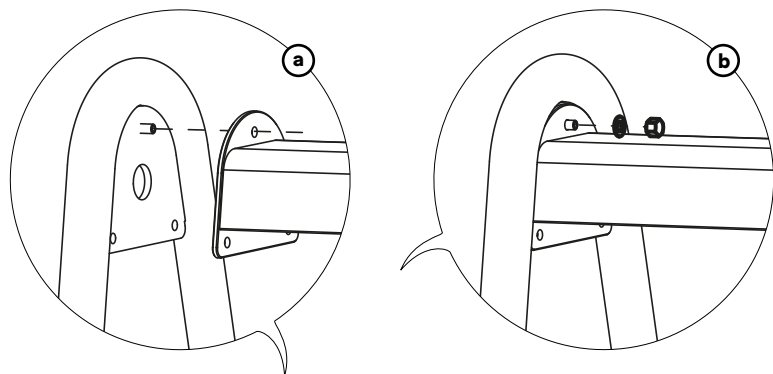


1 x M10x40

**Make sure the set screw is centered to the A-frame.**

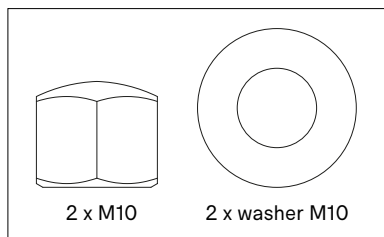
9. Go to page 58 if you want to assemble the LED module ↗

Go to page 67 if you want to assemble the shade or market shade ↗

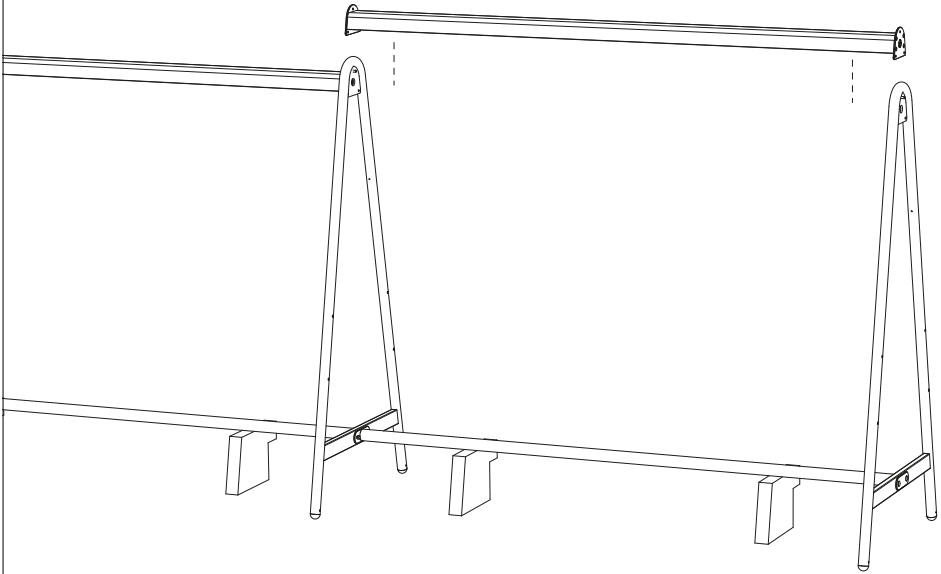
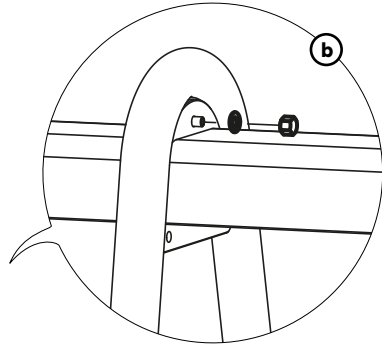
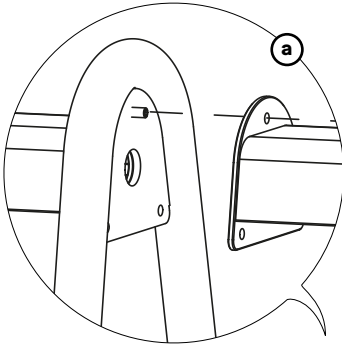


**AMA284**

**Do this for both sides**

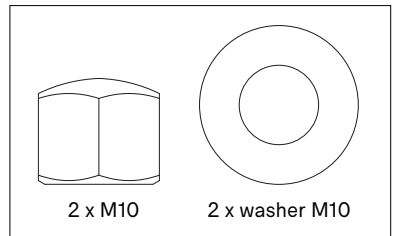


10.



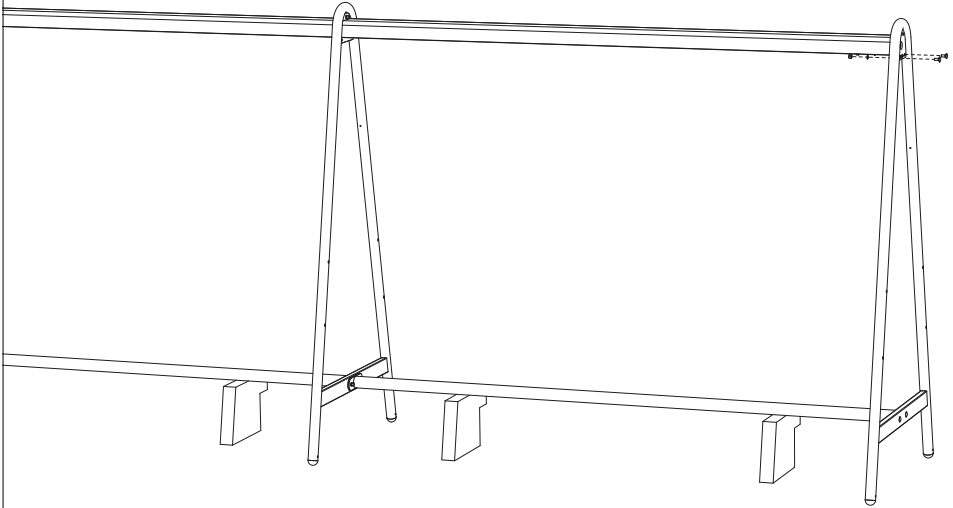
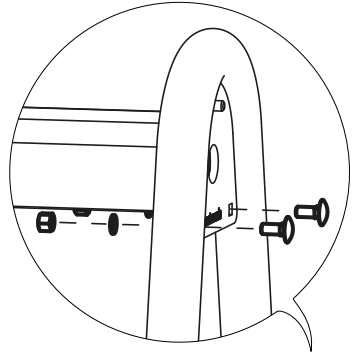
**AMA284**

**Do this for both sides**



11a.

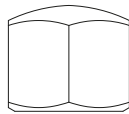
Do this for both outer A-frames,  
tighten all bolts



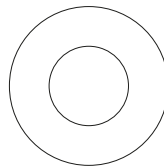
**AMA284**  
per outer  
A-frame

  
15 Nm  
**MAX!**

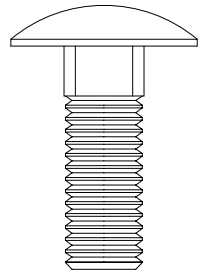
**Tighten carefully!**  
Excessive force may  
damage the coating!



2 x M10



2 x washer M10

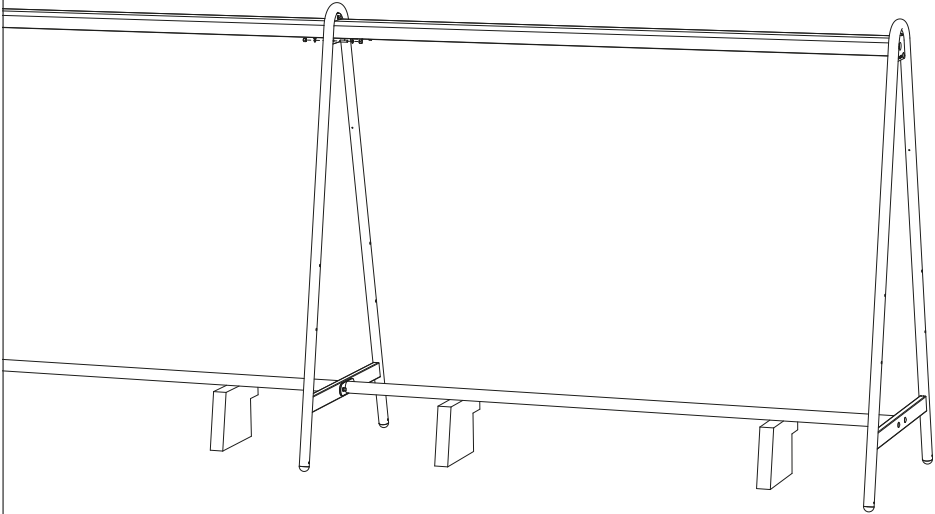
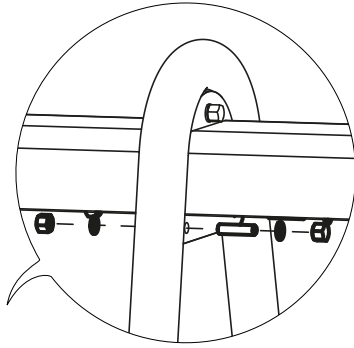


2 x M10x25

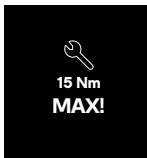


11b.

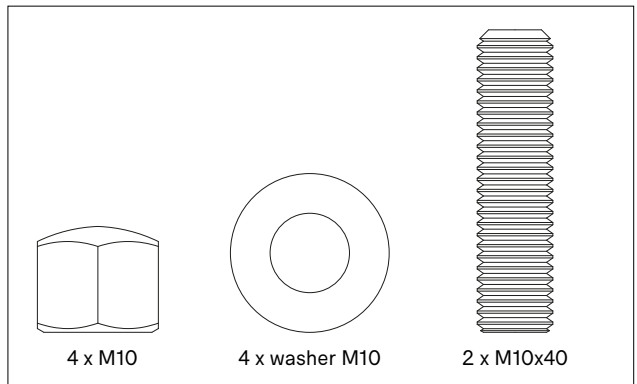
Do this for all  
center A-frames



**AMA239-1**  
per center  
A-frame



**Tighten carefully!**  
Excessive force may  
damage the coating!



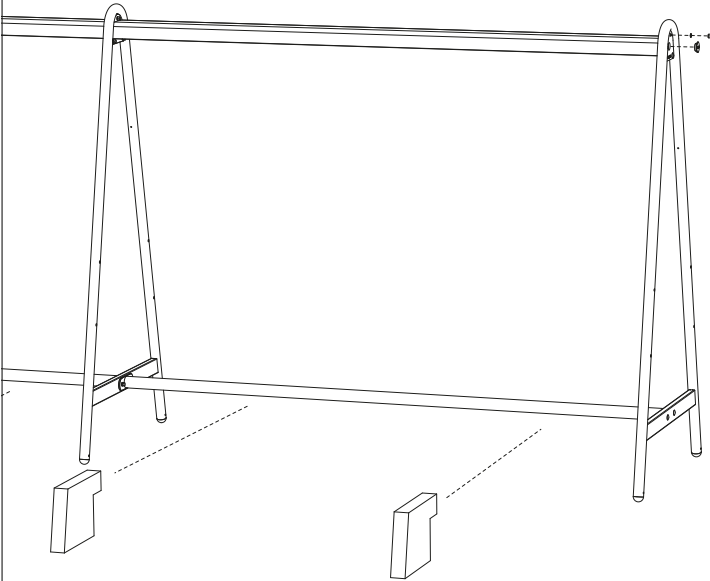
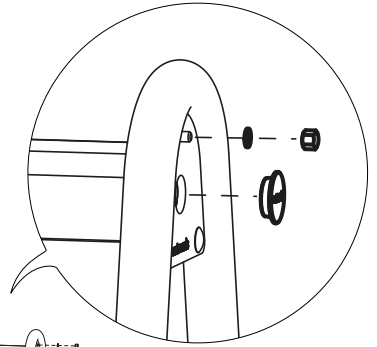
4 x M10

4 x washer M10

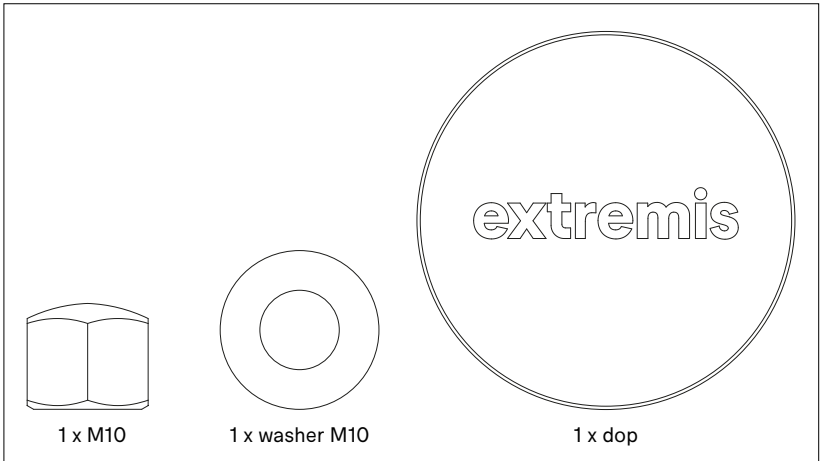
2 x M10x40

12.

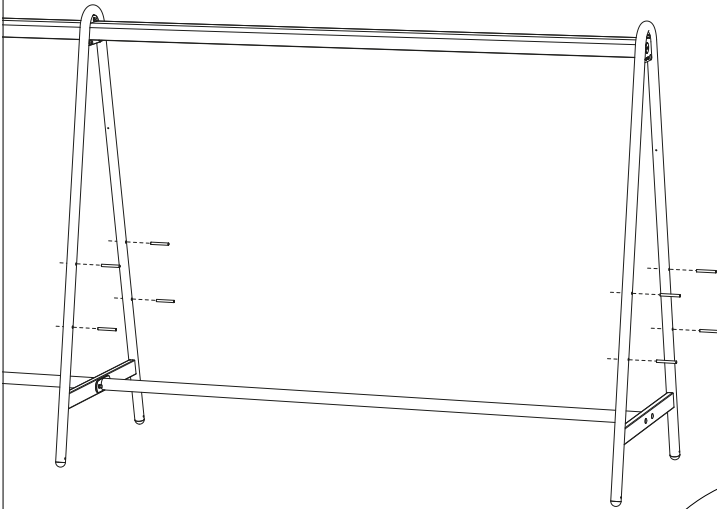
Do this for both outer  
A-frames



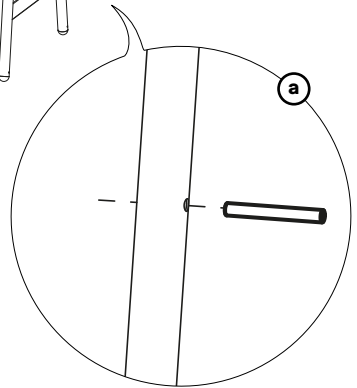
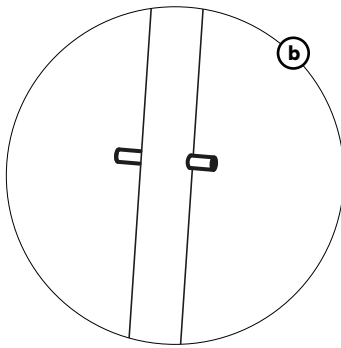
**AMA284**  
per outer  
A-frame



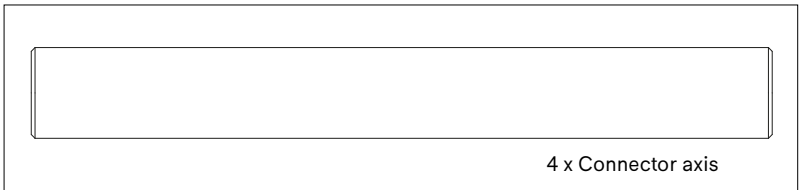
13.



**Do this for all A-frames**

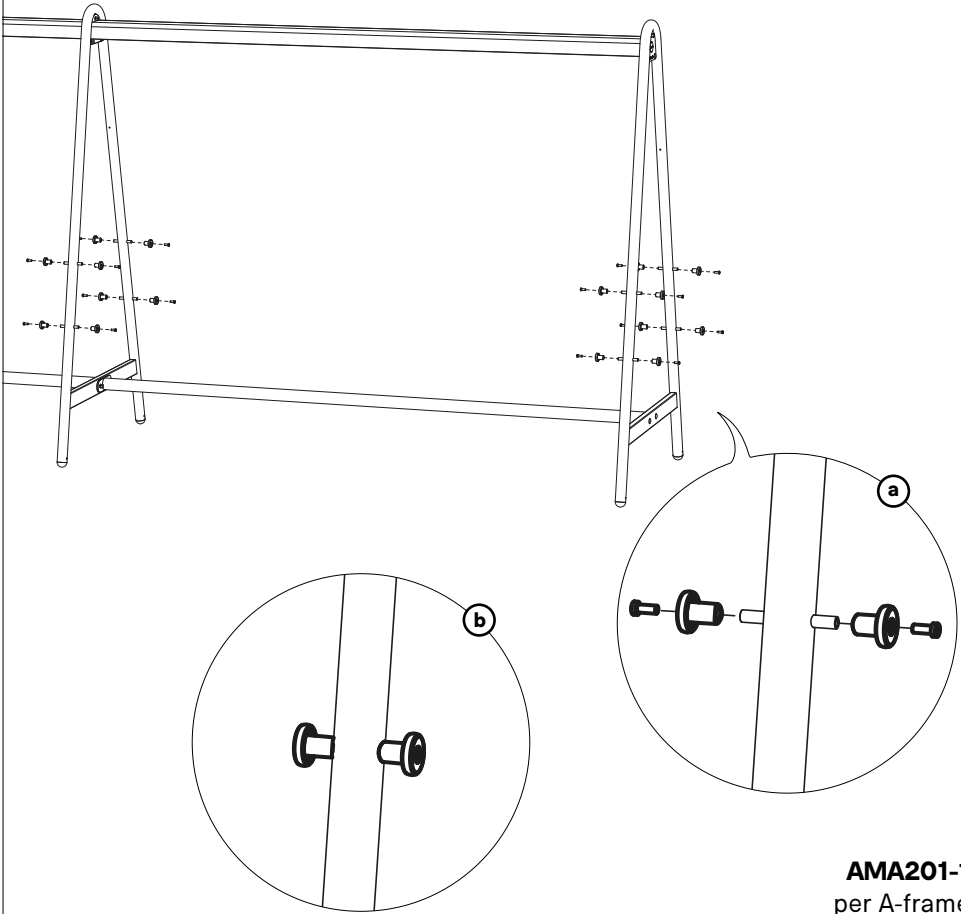


**AMA201-1**  
per A-frame



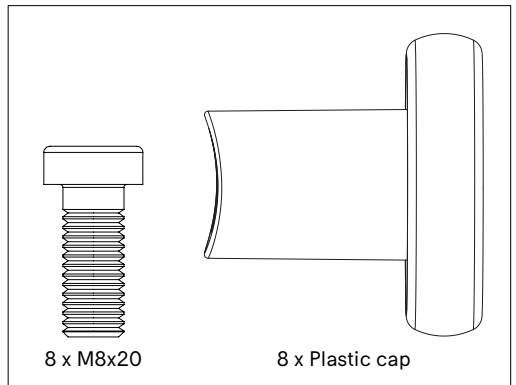
4 x Connector axis

14.

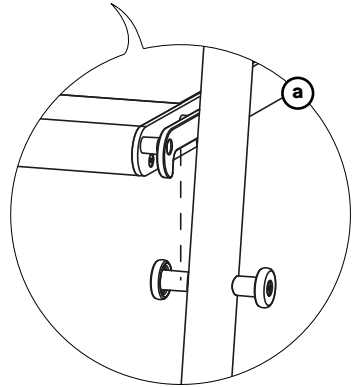
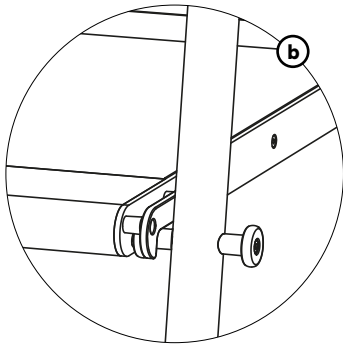
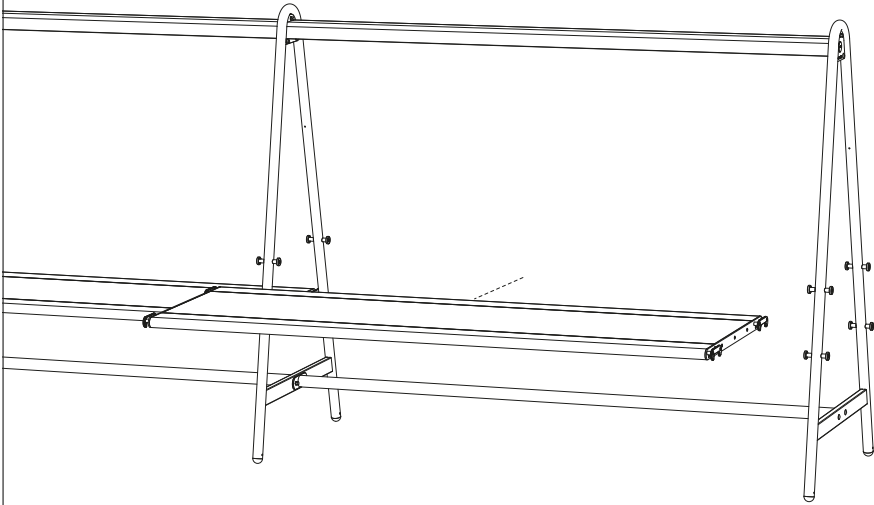


**AMA201-1**  
per A-frame

**Do this for all A-frames**

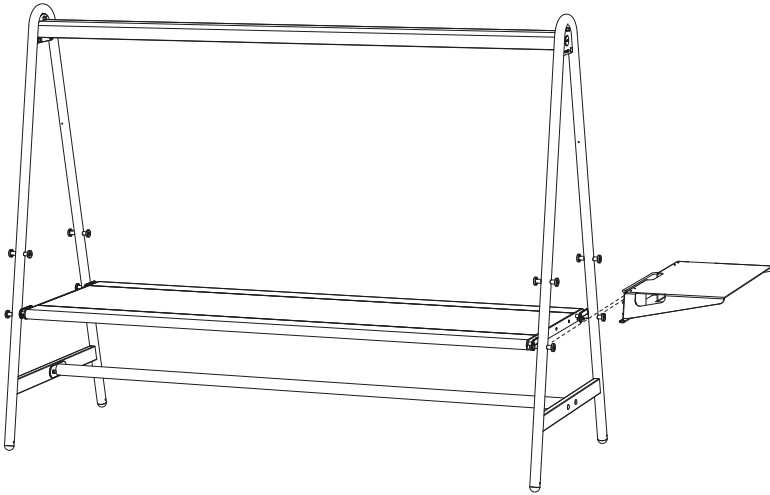


15.

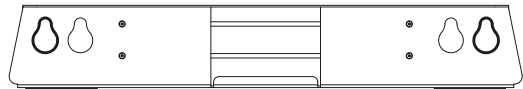
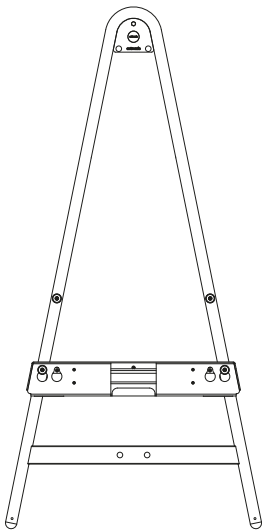


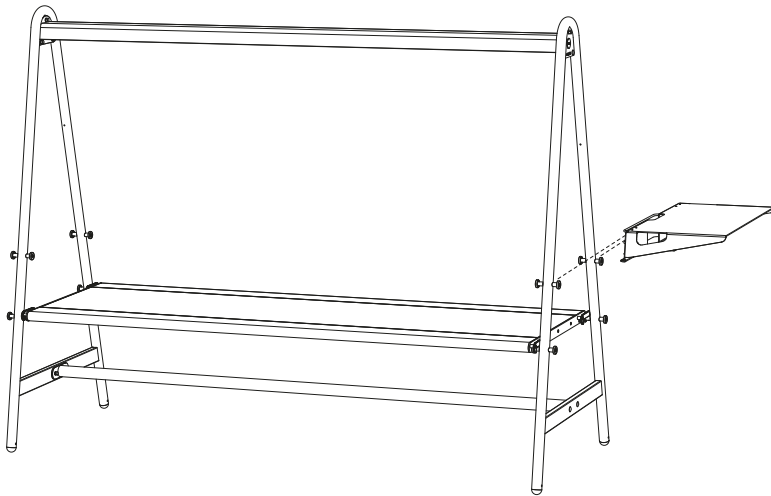
# Add-on table

1.

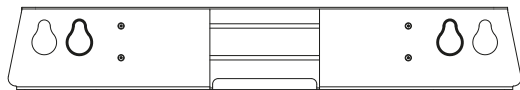
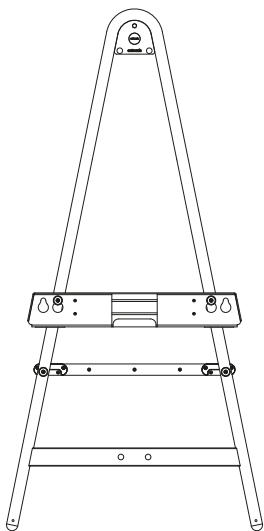


**Lowest position:  
use outer holes**



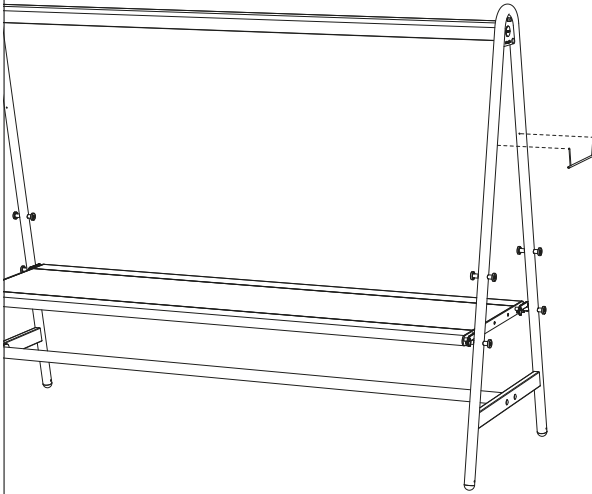


**Highest position:  
use inner holes**



# Screenholder

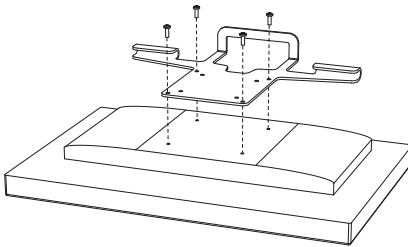
1.



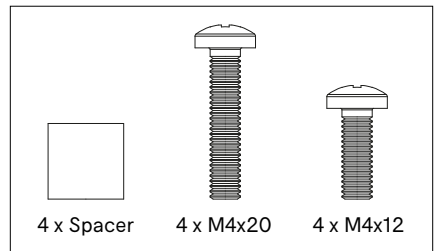
5'



2.

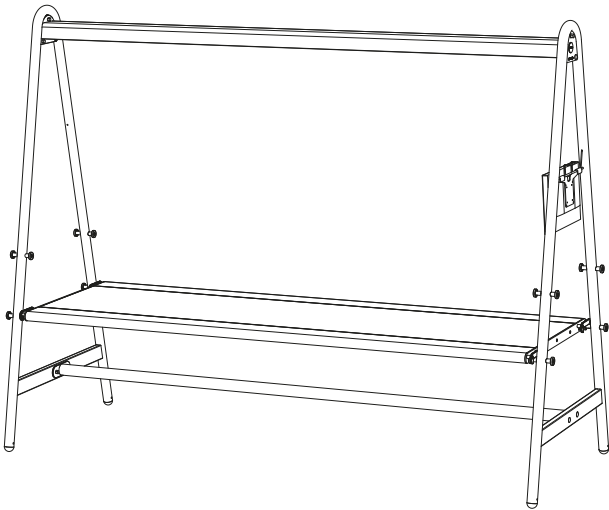
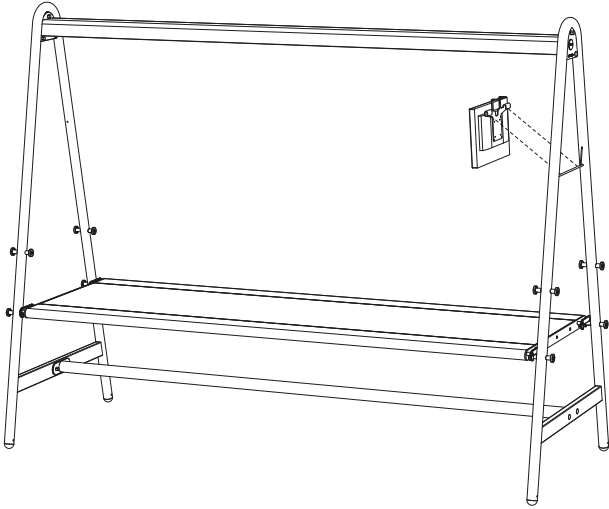


**AMA435**





3.



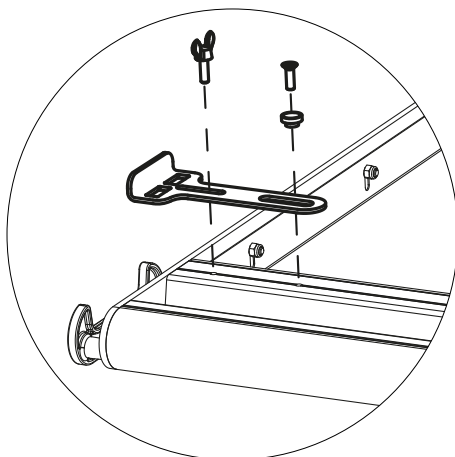
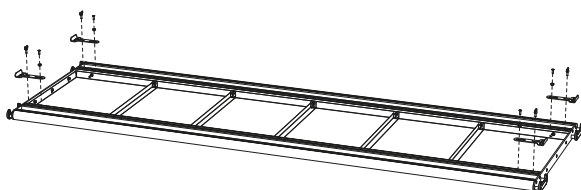
# Tabletop fixation

1.

N° 4

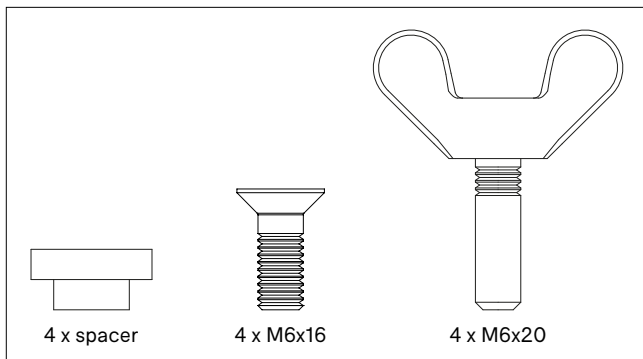


10'

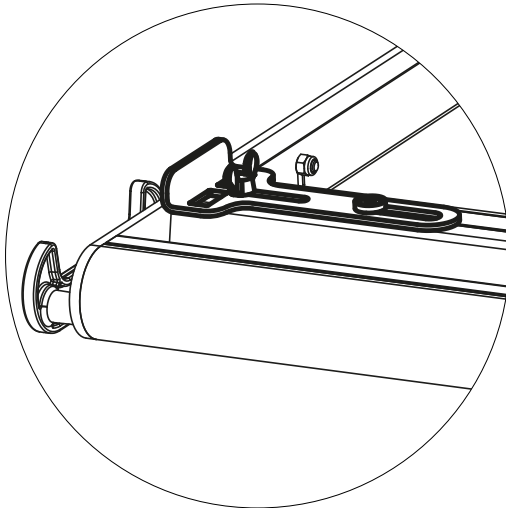
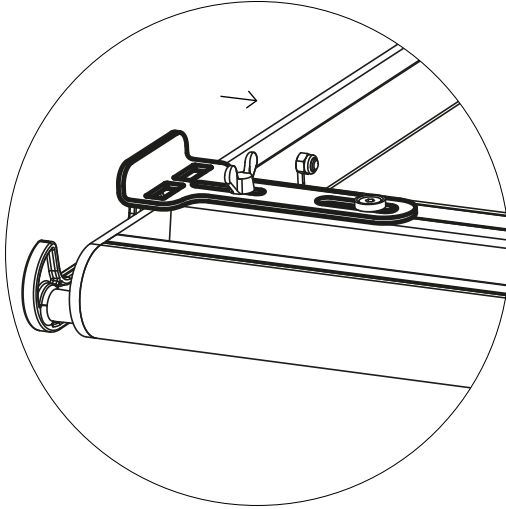


**Tighten the bolt with spacer.  
Do not tighten the wing screw!**

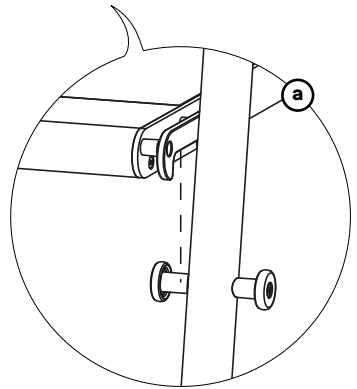
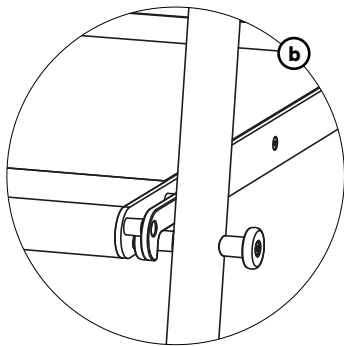
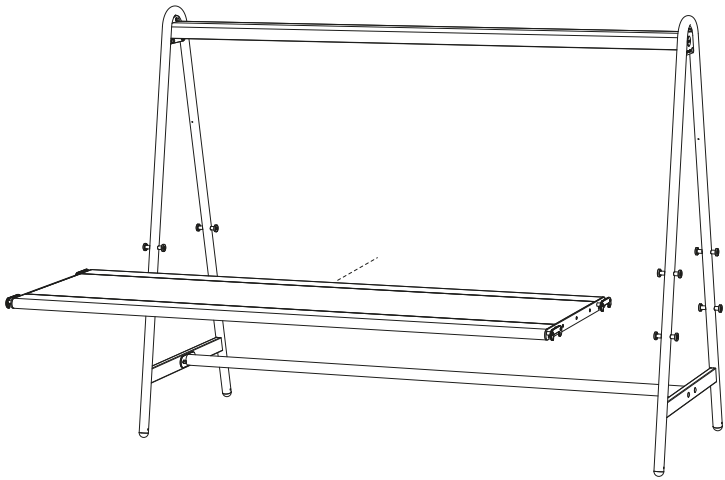
**AMA440**



2.

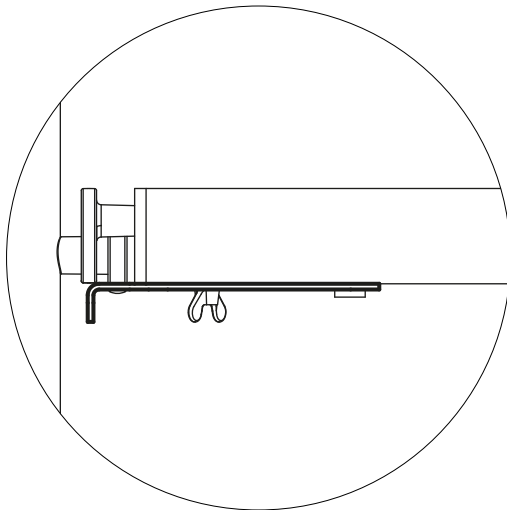
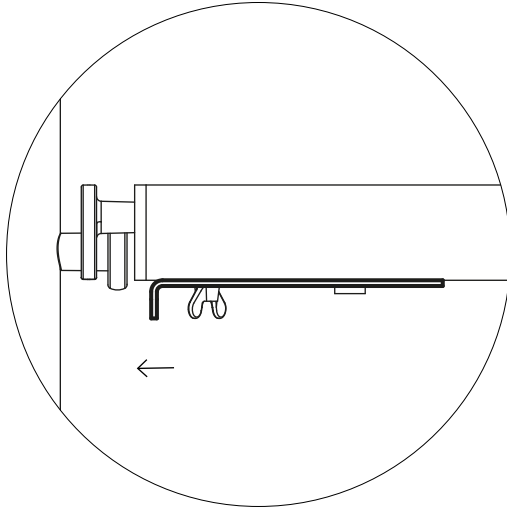


3.



**Can only be combined when the tabletop  
is in the highest position**

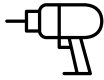
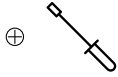
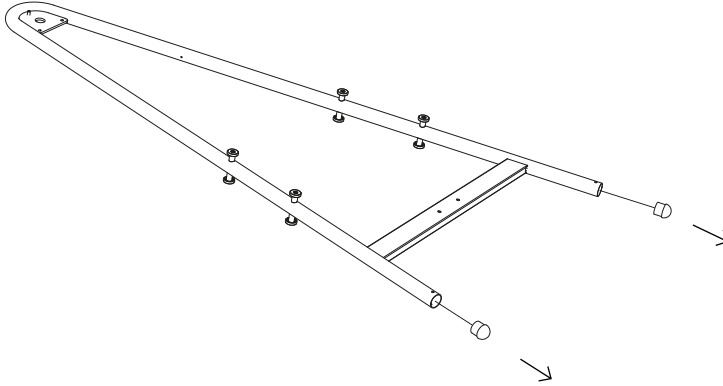
4.



**Tighten all wing screws**

# Leveling feet

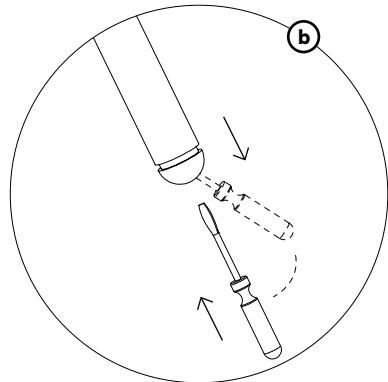
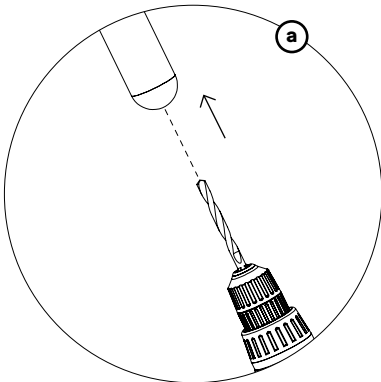
1.



N° 17

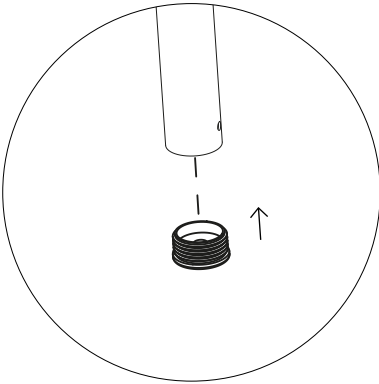


10'

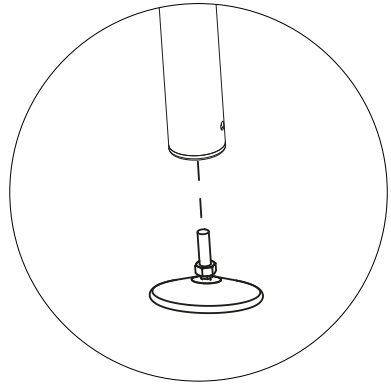


**Remove the standard plastic caps**

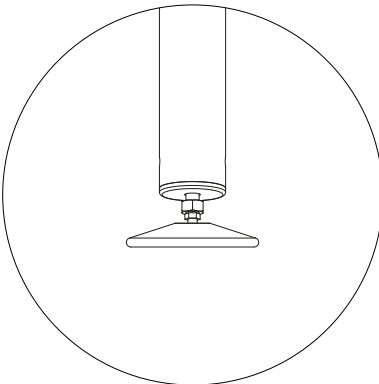
2.



3.

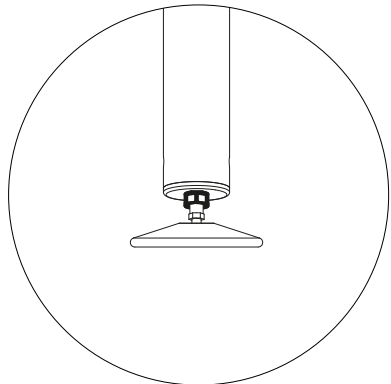


4a.



**Level the feet until they touch the floor**

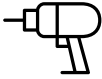
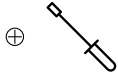
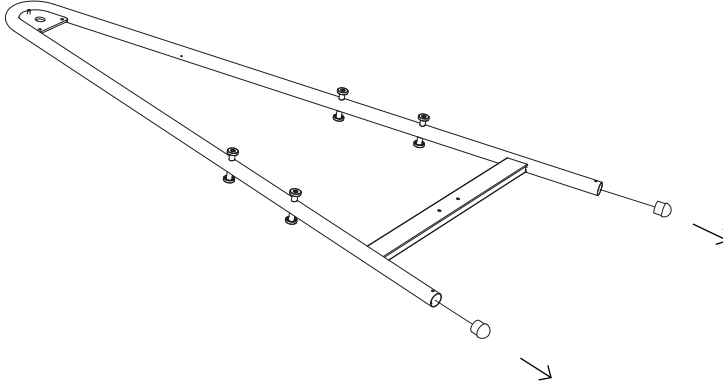
4b.



**Fix the nut**

# Floor fastening

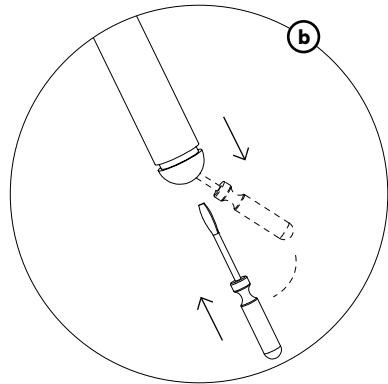
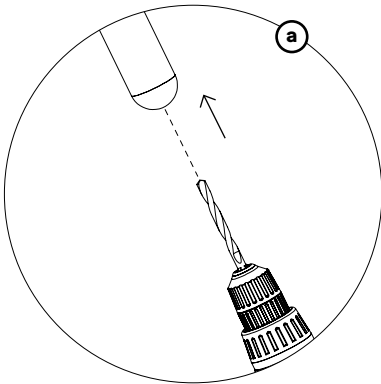
1.



N° 13



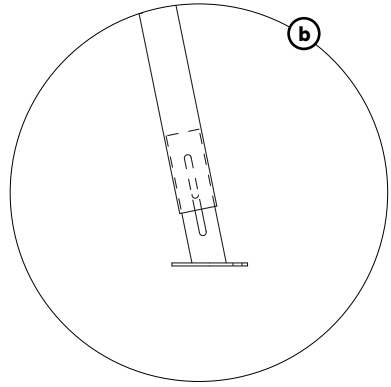
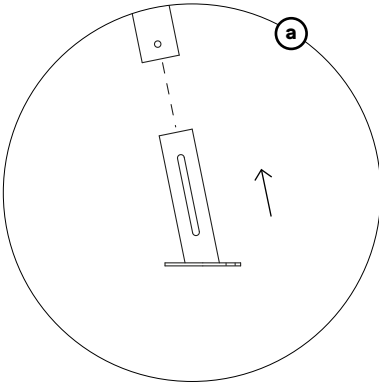
10'



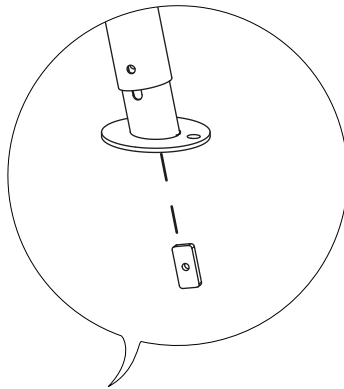
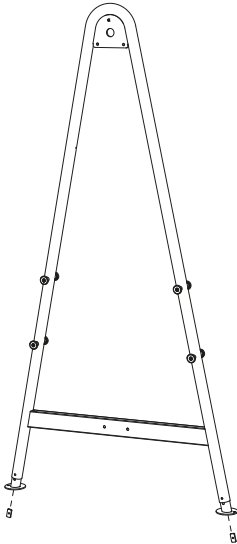
**Remove the standard plastic caps**



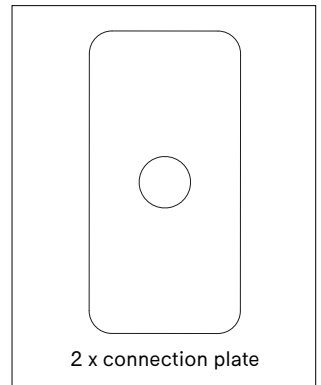
2.



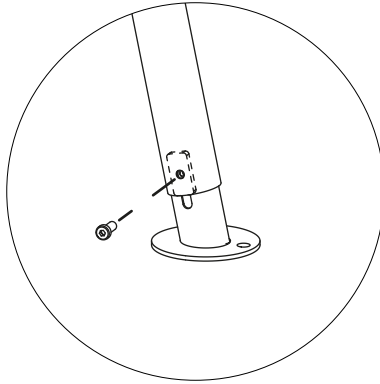
3.



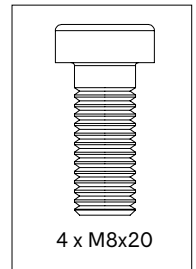
**AMA442**  
per A-frame



4.

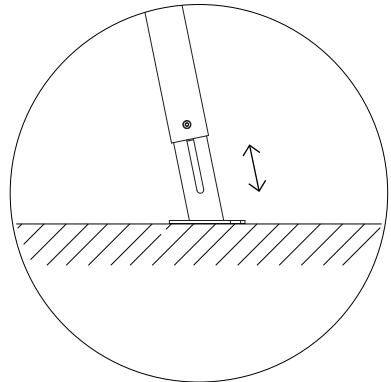
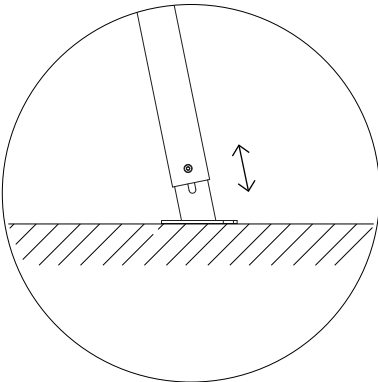


**AMA442**  
per A-frame



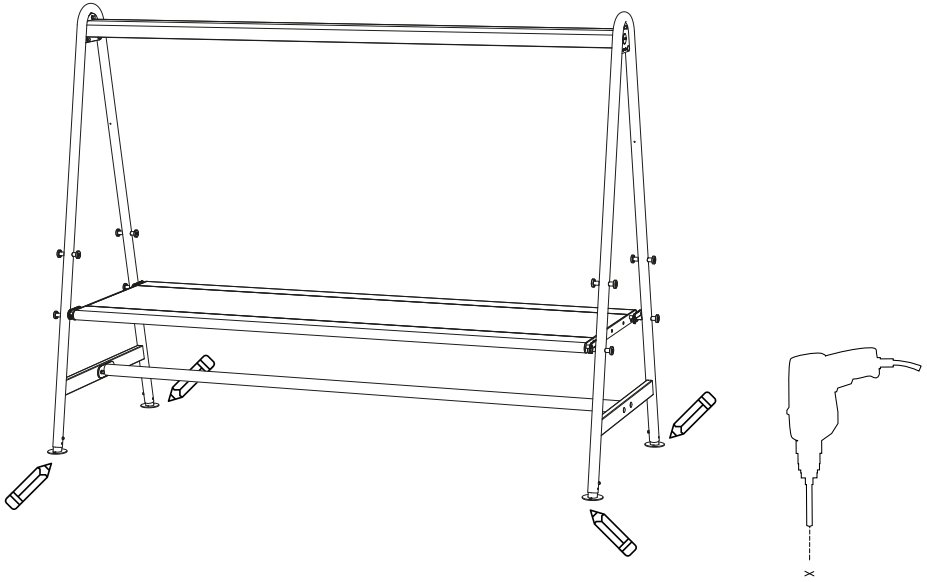
**Do not tighten!**

5.

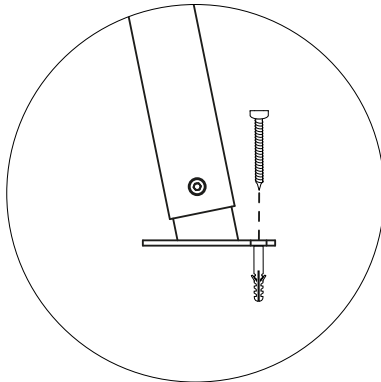


**Put on the desired height & tighten the bolt**

6.



7.



**Use the fasteners that are most suitable for the surface**

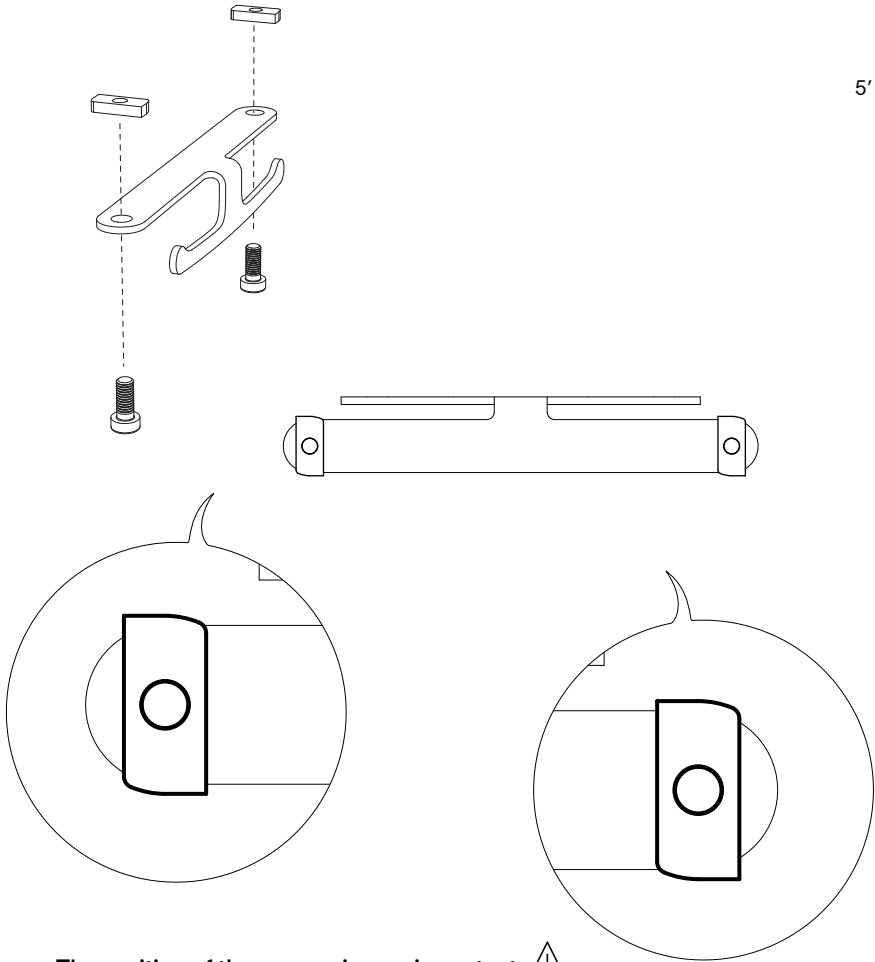
# Hanging hook

1.

N° 3

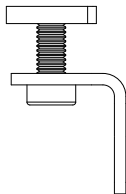


5'

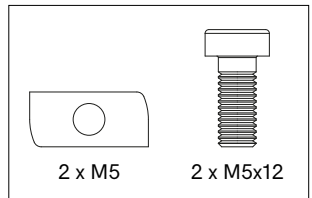


The position of the corners is very important 

Do not tighten



**AMA517**

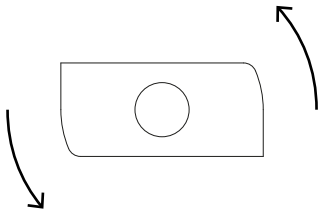
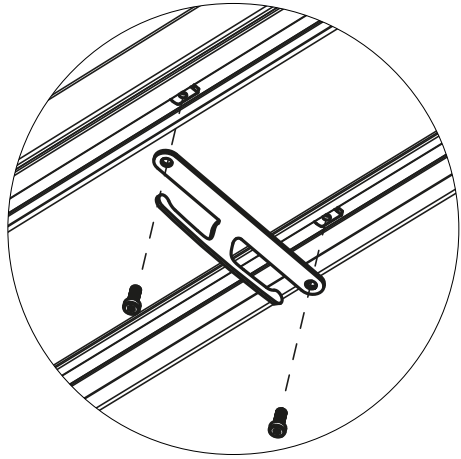
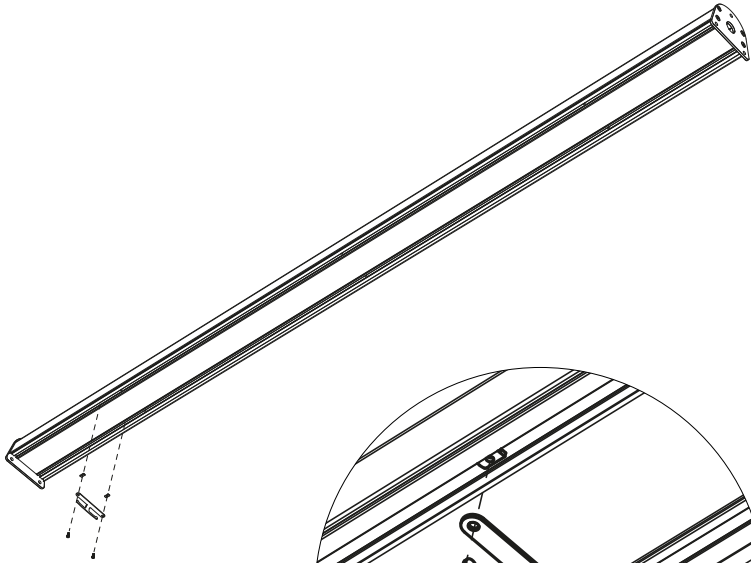


2 x M5

2 x M5x12



2.



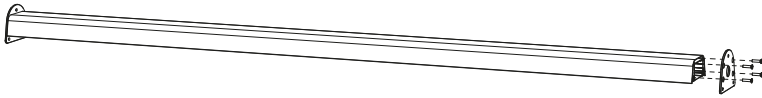
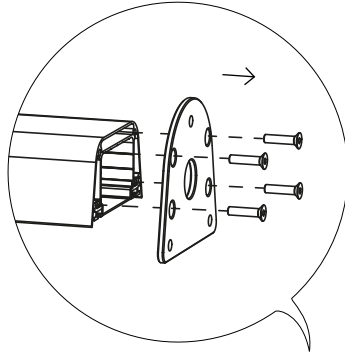
# LED module

1.

N° 5

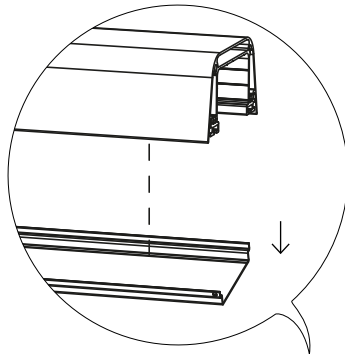


15'

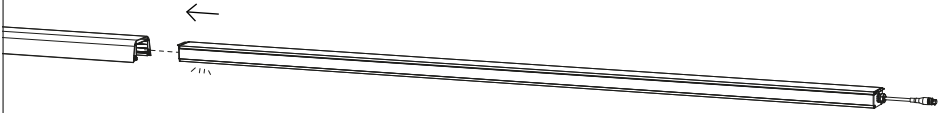
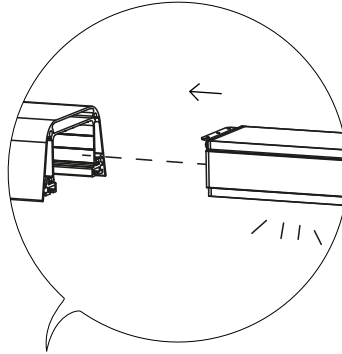


**Demount one side plate of the top profile  
& set aside**

2.

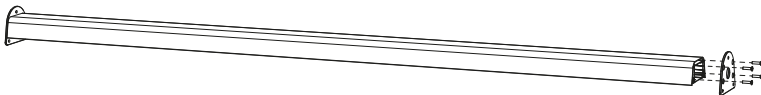
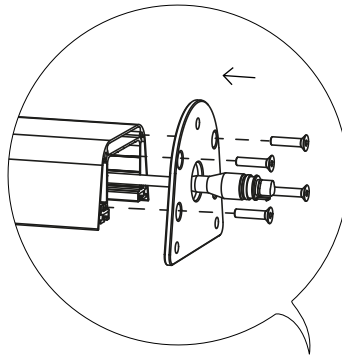


3.



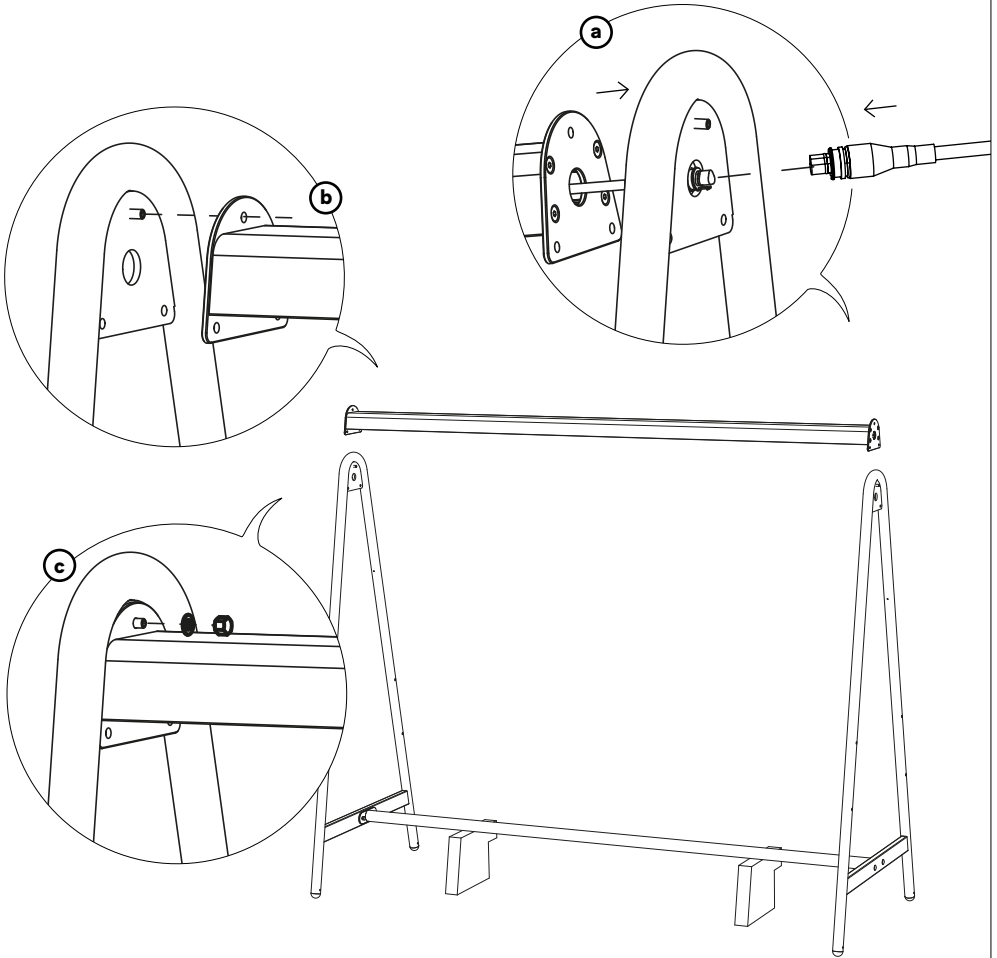
**Make sure the LED module is facing downwards**

4.



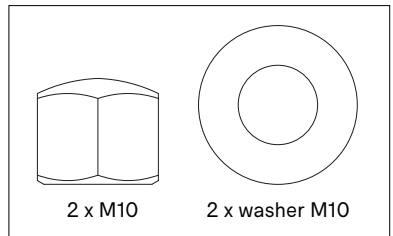
**Reattach the side plate**

5.



**AMA284**

**Face the end of the cable towards the socket you want to use. Connect the power supply to this connector**



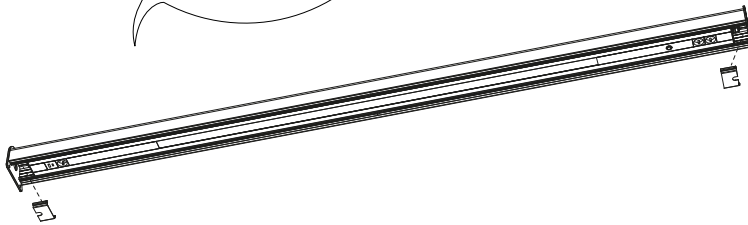
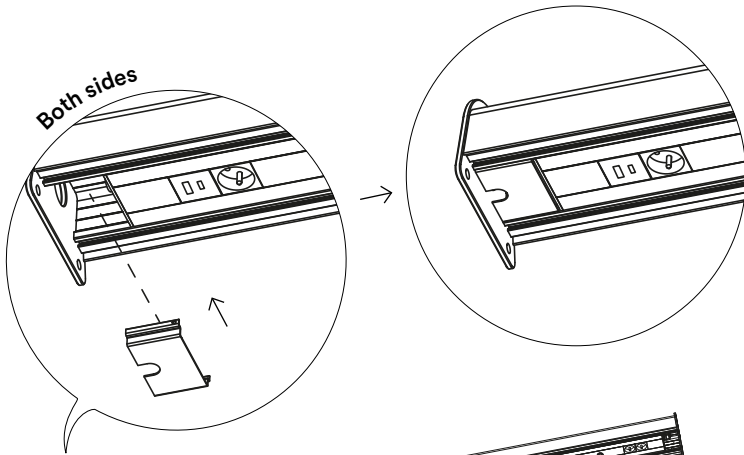


6.

57 mm



57 mm



**Make sure the LED module is centered  
and insert the two small cover plates**

**Now go back to step 5 on page 17 (standard module)**

**Now go back to step 9 on page 34 (extension module)**

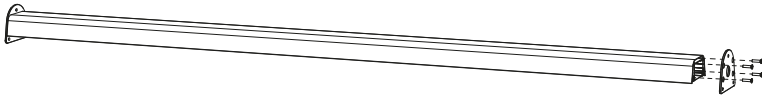
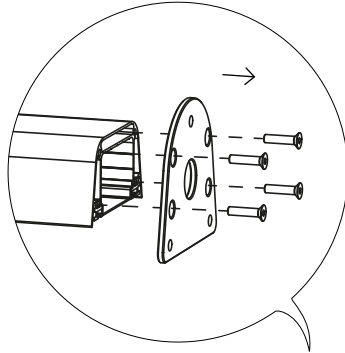
# Connecting multiple LED modules

1.

N° 5

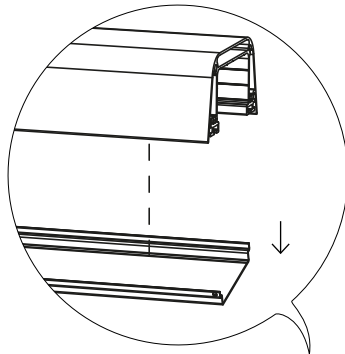


20'

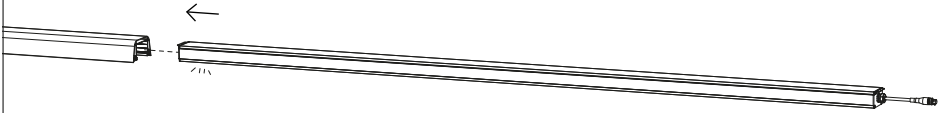
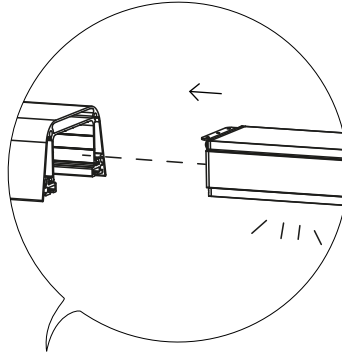


**Demount one side plate of the top profile  
& set aside**

2.

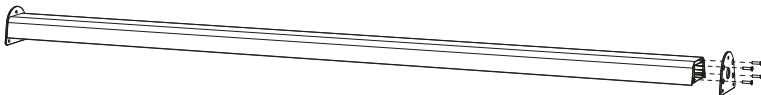
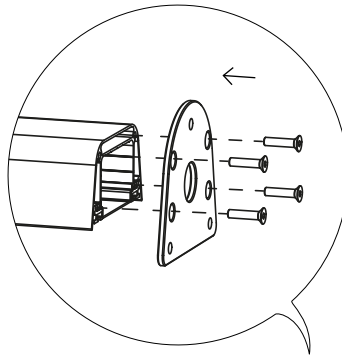


3.



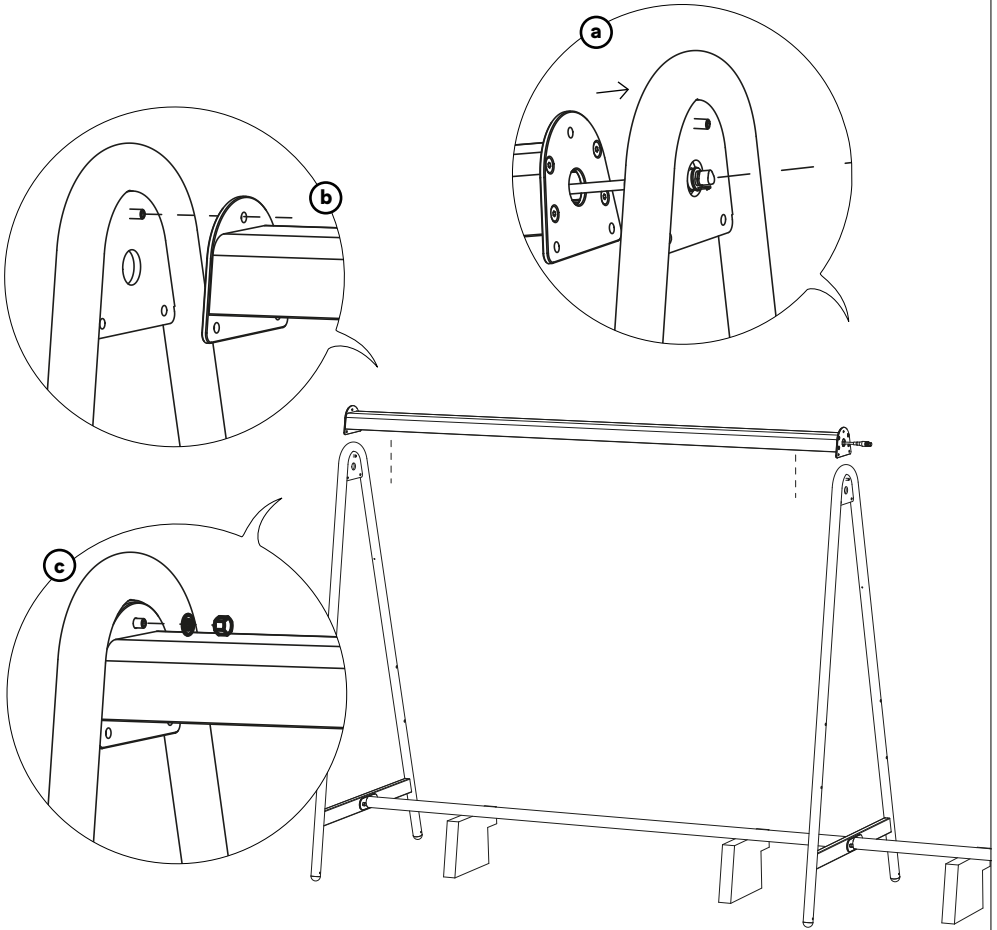
**Make sure the LED module is facing downwards**

4.

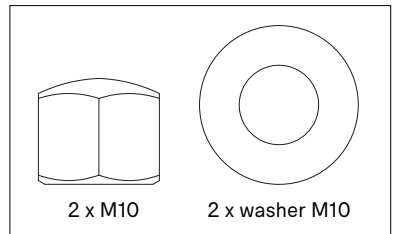


**Reattach the side plate**

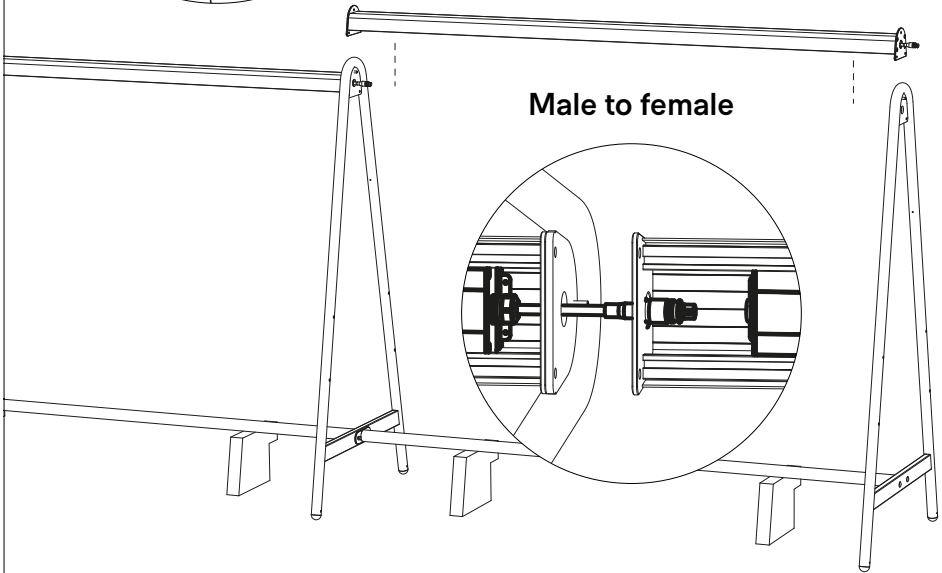
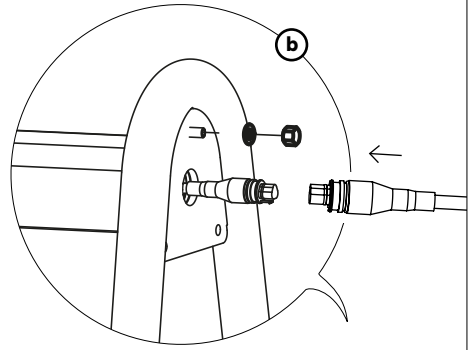
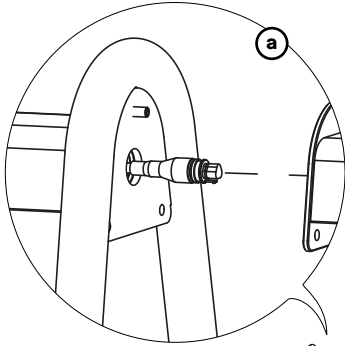
5.



**AMA284**  
per top profile



6.

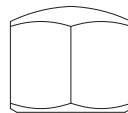


Male to female

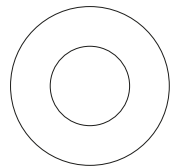
**AMA284**

per top profile

Face the end of the cable towards the socket you want to use. Connect the power supply to this connector



2 x M10



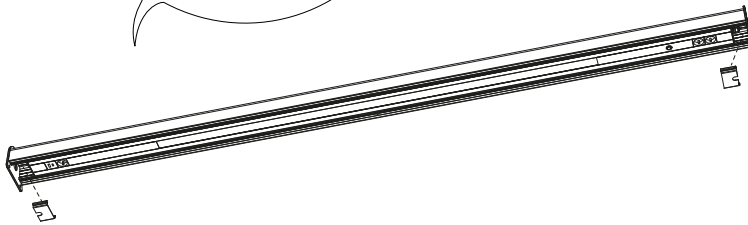
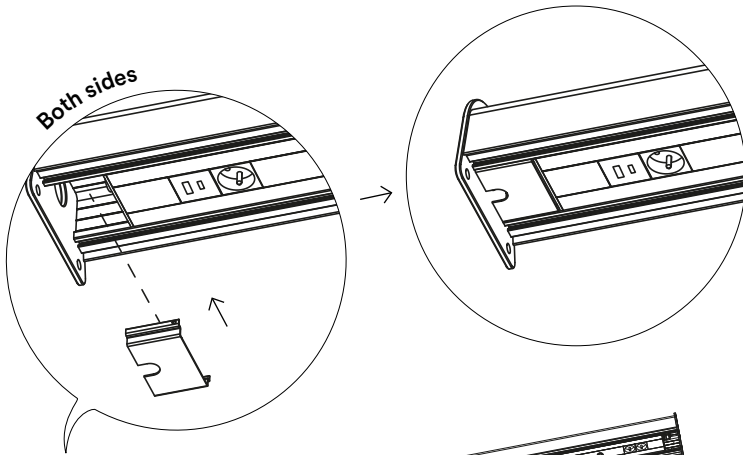
2 x washer M10

7.

57 mm



57 mm



**Make sure the LED module is centered  
and insert the two small cover plates**

**Now go back to step 5 on page 17 (standard module)**

**Now go back to step 9 on page 34 (extension module)**

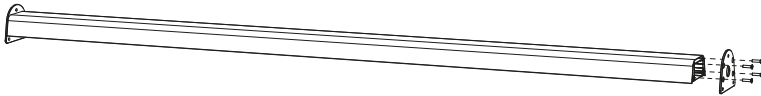
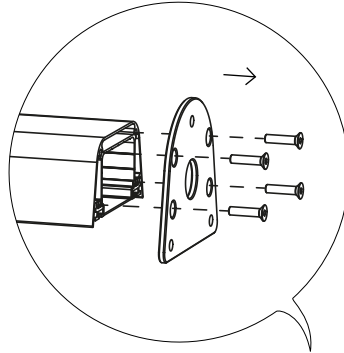
# Shade & market shade

1.

N° 4 - 5

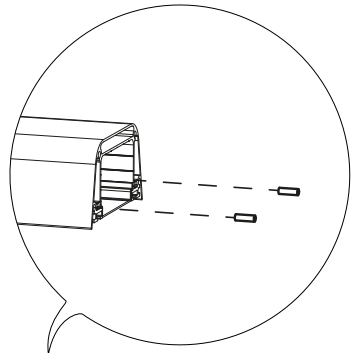
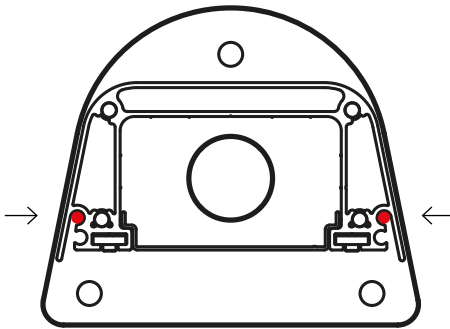


30'



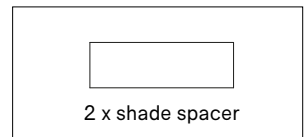
**Demount one side plate of the top profile  
& set aside**

2.

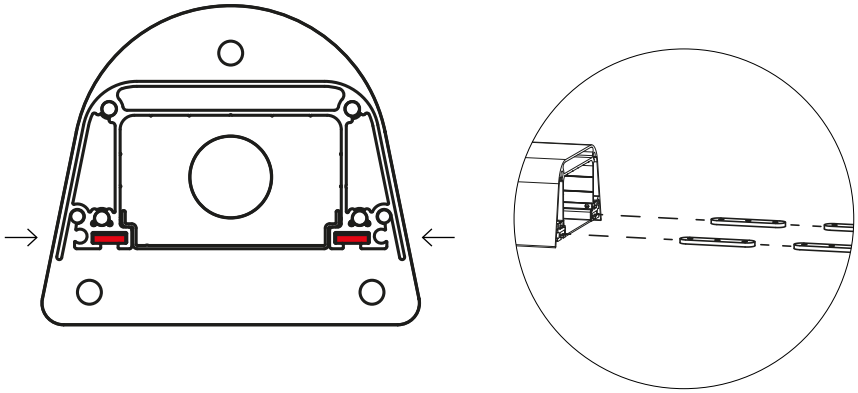


**AMA433-1**

**Make sure that the two shade spacers  
are inserted in the upper slot!**

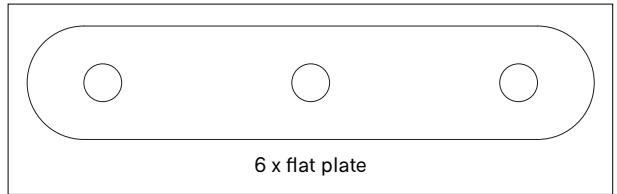


3.

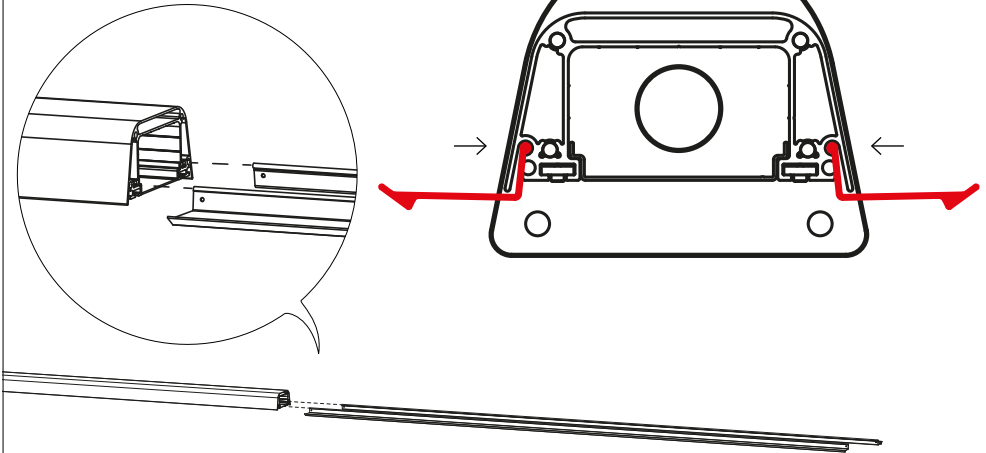


**AMA433-1**

**Slide three flat plates  
per side into the slot of  
the top profile**



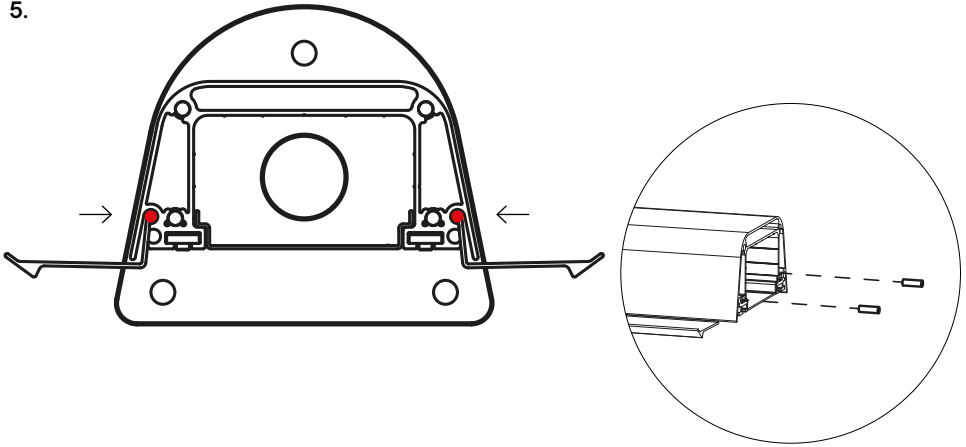
4.



**Make sure that the two shade stoppers are inserted in the  
upper slot (the same slot as the shade spacers)!**

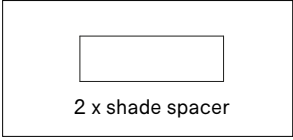


5.



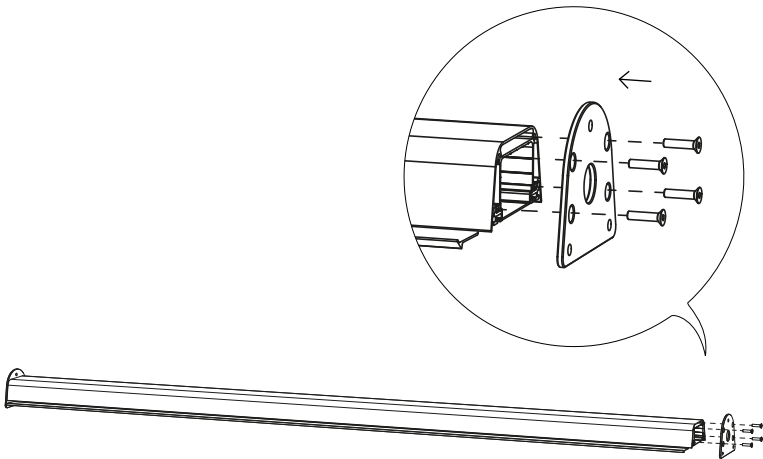
Slide the other two shade spacers in the same upper slot

**AMA433-1**



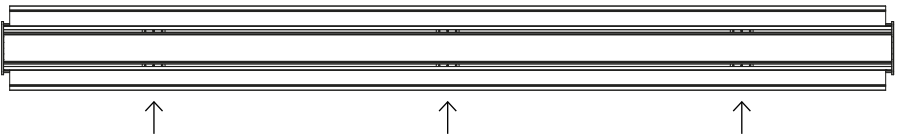
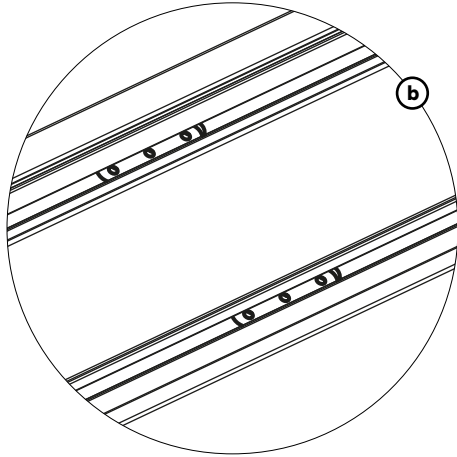
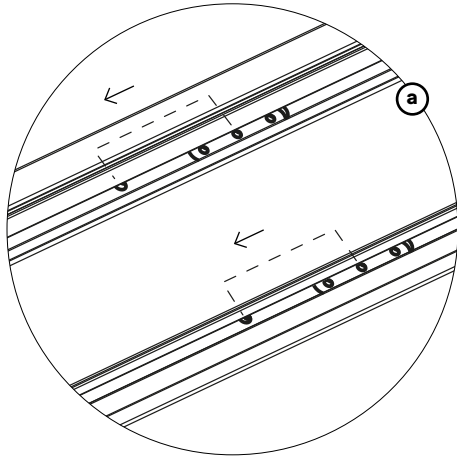
2 x shade spacer

6.



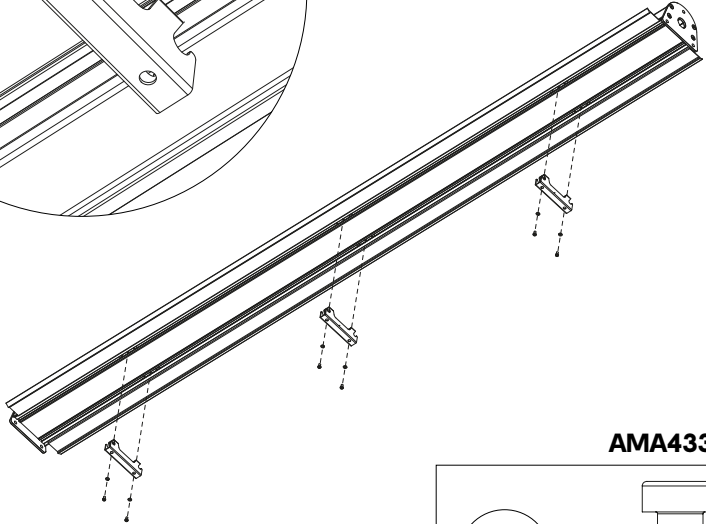
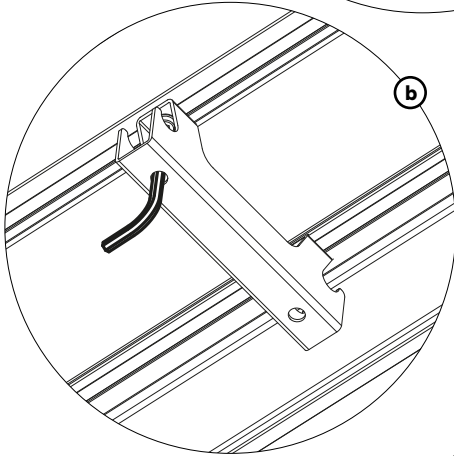
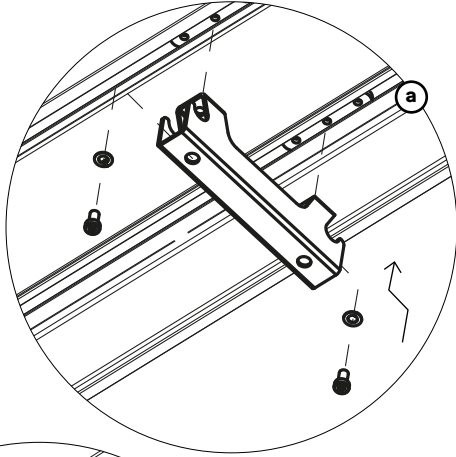
Reattach the side plate

7.



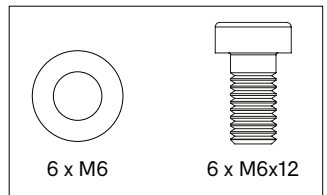
**Position the center hole of the flat plates above  
the holes in the top profile**

8.



**Slide the washer and bolt in from the sides and tighten the bolts**

**AMA433-1**

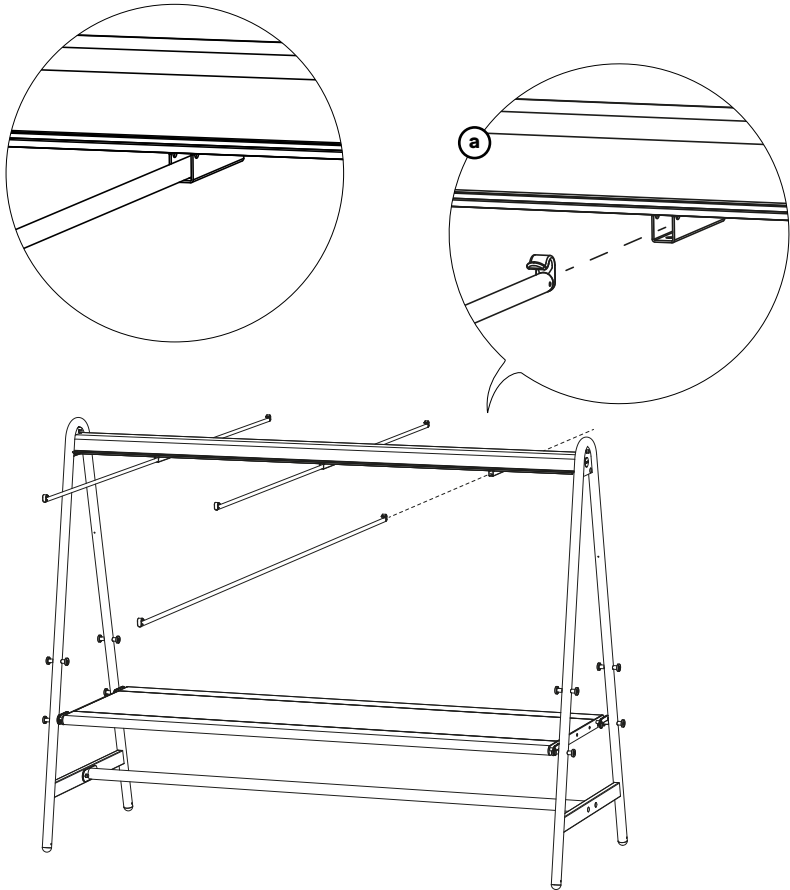


9.

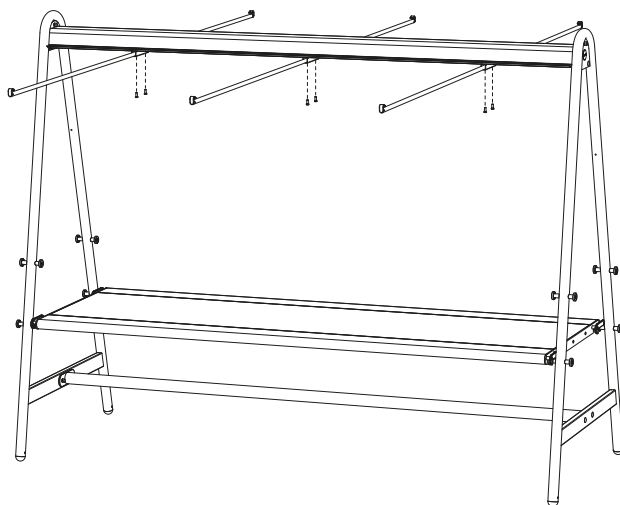
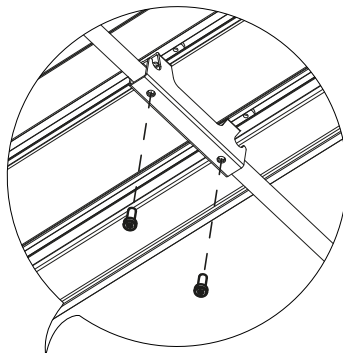
Now go back to step 5 on page 17 (standard module)

Now go back to step 9 on page 34 (extension module)

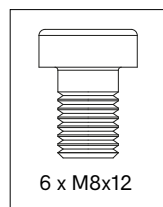
10.



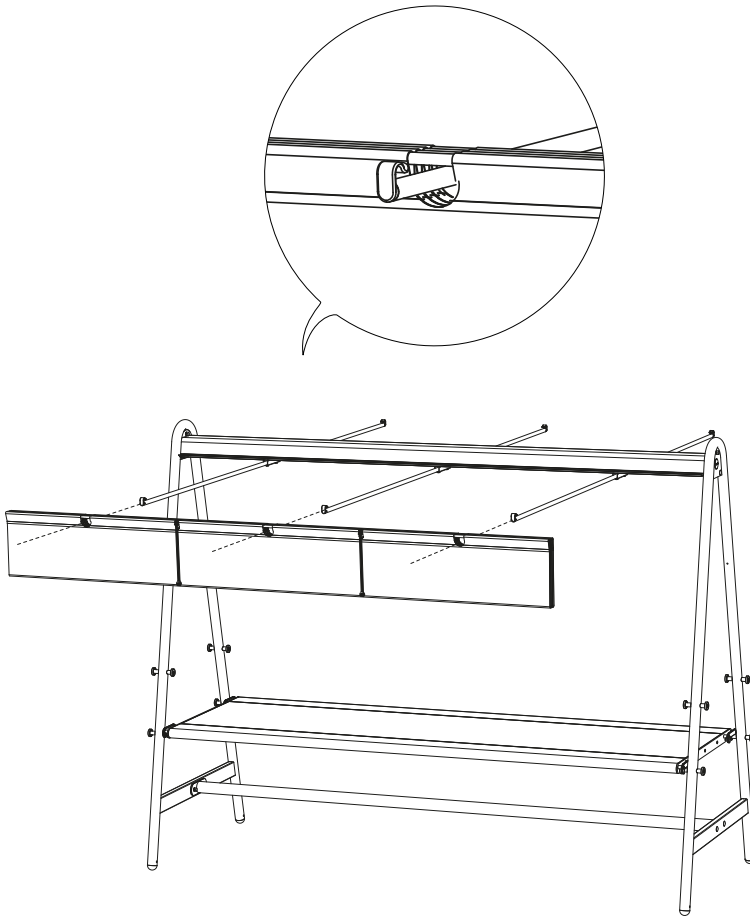
11.



**AMA433-1**

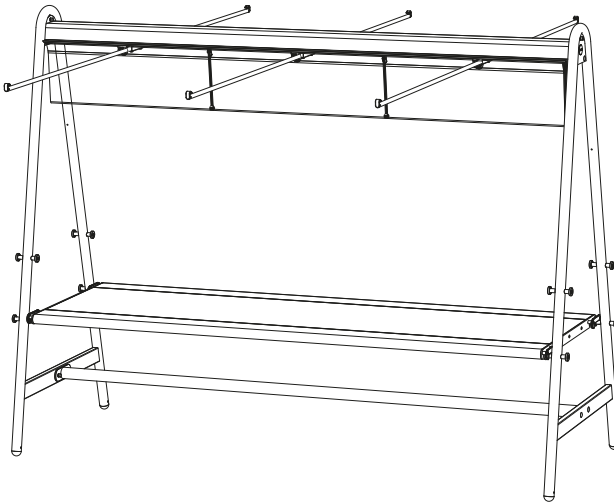
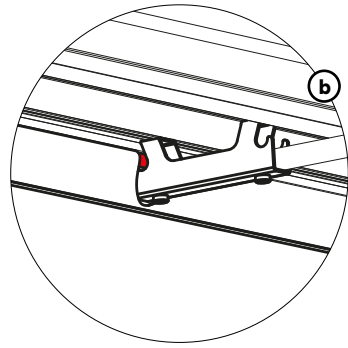
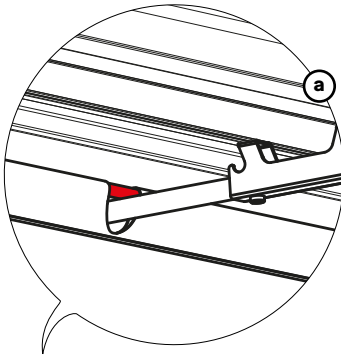


12.



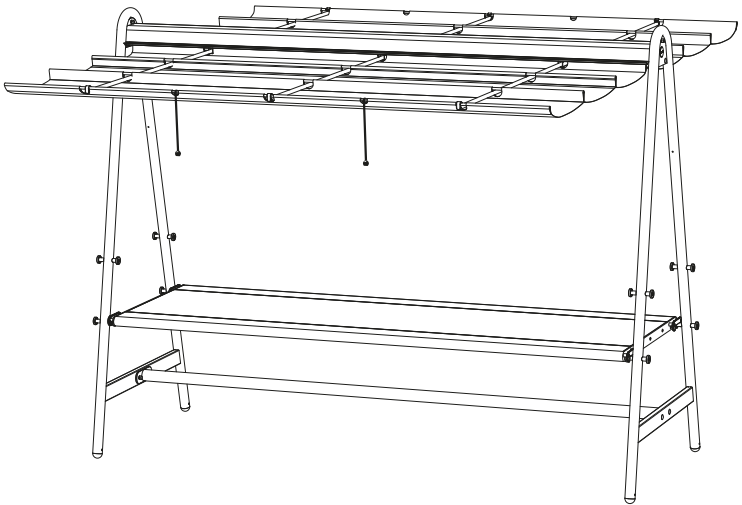
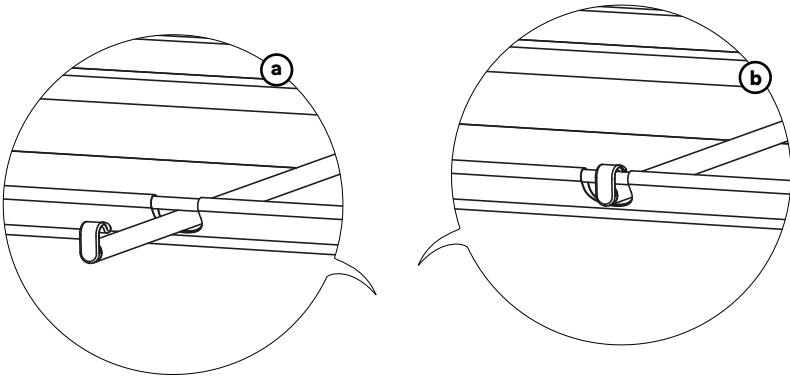
**Slide the fabric over the shade structure on both sides.  
Make sure that the black cords are on the outside**

13.



**Push the fabric all the way up to the top profile and hook the first stick in the three hooks under the tubes**

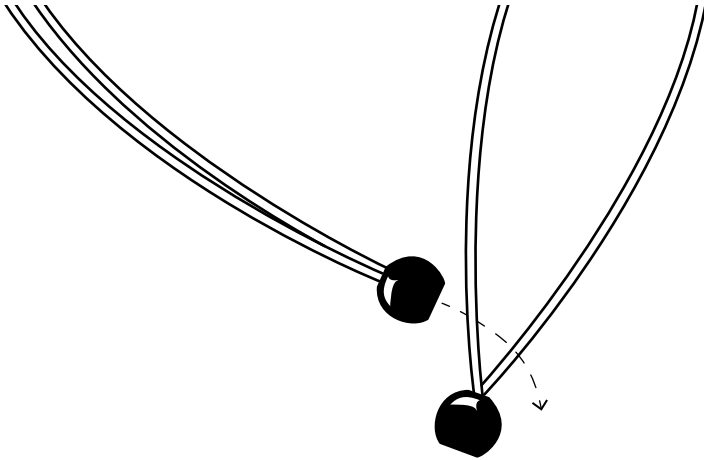
14.



**Use the black cords to open/close the shade**



15.



**Lead one of the bungees of the black cords through the loop to secure the shade when closed**

# **Warnings**

# **Text instructions**

# **Maintenance**

**Warnings** ↗

---

**Assembly text instructions** ↗

---

**Maintenance** ↗



# Warnings

## General

- Do not use any sharp tools to open the packaging.
- We strongly advise against using power tools.
- Tripping hazard, mind your step.
- Do not put out cigarettes on the bench.
- Not graffiti proof.
- Do not leave children unattended whilst playing on the bench.
- To avoid danger of suffocation, keep plastic bags away from babies and children.
- Colors can differ over years and from batch to batch.

## Product

- Do not stand or jump on the table.
- Always make sure to hold the tabletop at its center when moving it up and down.
- Do not drag the table, but carry it with minimum 2 people.
- Anchoring the product has to be done by qualified people.
- For anchoring: use suitable bolts or screws from a specialized store depending on the material your terrace is made of.

## Powder coating

- White powder coating requires more maintenance.
- Do not use abrasive scouring powders or scourers as they will scratch the surface.
- Color can fade to some extent when exposed to UV.
- Flame retarding - NEN-EN13501-1 A2-s1 - Satisfying the same criteria as Class B for the SBI-test according to EN13823. In addition, under conditions of a fully developed fire these products will not significantly contribute to the fire load and fire growth.
- Dark colors can get very hot in sunny weather.



## Galvanized steel

- Galvanization will become less shiny when used outdoors.
- Flame retarding - NEN-EN13501-1 A1 - Class A1 products will not contribute to fire in any stage, including fully developed fire. For this reason, they are assumed to be capable of satisfying all requirements of all lower classes as well.
- Possible impurities in the immersion tank can cause black marks during galvanization, which are intrinsic to this industrial finishing technique.
- White marks on this zinc layer are also intrinsic to this procedure and will disappear when the furniture is put outdoors.
- This industrial finishing technique may result in a rougher surface. This is intrinsic to the process.

## Stainless steel

- Very good UV color fastness.
- Flame retarding: NEN-EN13501-1 A1 - Class A1 products will not contribute to fire in any stage, including fully developed fire. For this reason, they are assumed to be capable of satisfying all requirements of all lower classes as well.
- Watch out, stainless steel isn't entirely rustproof! Be sure to avoid contact with iron objects. If it does show signs of rust, clean with rust remover as quickly as possible.

## Wood

- When delivered, the wood is untreated.
- Wood is a natural material and its look is different for every slat, plank and tree.
- Wood will gradually become rougher and start to turn grey as a consequence of exposure to the sun and rain. We recommend oiling the wood once or twice a year. 1x before the Summer and 1x after the Summer as protection for the Winter.



- Cleaning regularly with mild detergent. Never use a high pressure cleaner as this will roughen the wood's smooth surface and irreparably damage the wood's fibress.
- Thorough cleaning with Extremis Wood Cleaner.
- We strongly recommend that you treat your wood with wood oil to protect it from stains - Small cracks and crevices can also appear as part of this process. We strongly advise everyone to treat the furniture with our Wood Protector. It is best to repeat this treatment each year.

## **Soft desktop**

- For indoor use only.
- Spilt liquids such as coffee, tea, alcohol, etc. must be removed immediately.
- Remove ink stains with turpentine or white spirit. Repair any dull spots that may emerge with a Forbo Polish and polish with a worn green scouring pad.

## **Oak veneer**

- For indoor use only.
- Spilt liquids such as coffee, tea, alcohol, etc. and even water should be removed immediately.
- Do not use abrasive cleaning agents or aggressive solvents.
- Do not use wax polish.
- Light will affect the colour of the veneer.
- Temperature and humidity can cause the veneer to shrink or expand.
- Never place hot objects directly on the veneer.



# Assembly text instructions



Take a look at the drawings, starting from page 13

## Standard module (p13)

1. Open the boxes of the A-frames and take out the polystyrene blocks. Place two polystyrene blocks on the ground in the place where you want to assemble the AMAi. Make sure that the blocks are about 160 cm apart.
2. Place the footrest on the 2 polystyrene blocks.
3. **a.** Fit the first A-frame onto one end of the footrest, with the Extremis logo facing the outer side.  
**b.** Assemble the A-frame using 2 M10x45 carriage bolts, 2 M10 cap nuts and spring washers. Now fit the second A-frame to the other end of the footrest, again with the Extremis logo facing the outer side, but do not fully tighten the bolts yet.
4. Now attach a set screw M10x35 in both A-frames as shown in the drawing. Make sure the set screw is centered to the A-frame.
5. Go to page 57 if you want to assemble the LED module.  
Go to page 66 if you want to assemble the shade or market shade.  
Position the top tube between the two A-frames.  
**a.** Slide the top tube over the adjusting screws so that it is correctly located.  
**b.** First screw an M10 cap nut and spring washer onto the adjusting screw on both sides to hold the top tube in place.
6. Now attach the top tube on the two A-frames, each using two M10x25 carriage bolts, M10 cap nuts and washers. Now tighten all



the bolts!

7. Screw an M10 cap nut and spring washer onto the outside of each of the two adjusting screws, as well as a rubber cap with Extremis logo in the large holes as shown in the drawing.
8. Remove the expanded polystyrene blocks.
9. **a.** Insert the connector axis through the four holes on each A-frame.  
**b.** Make sure they are properly centered.
10. Fit a black plastic cap onto each end of the pins and secure it with an M8x20 screw. Make sure that the plastic caps fit correctly on the A-frame and tighten all the screws.
11. You can now position the tabletop between the two A-frames on the preferred caps.

## **Extension module** (p26)

1. Open the boxes of the A-frames and take out the polystyrene blocks. Place two polystyrene blocks on the ground in the place where you want to assemble the AMAi. Make sure that the blocks are about 160 cm apart.
2. Place the footrest on the 2 polystyrene blocks.
3. **a.** Fit the first A-frame onto one end of the footrest, with the Extremis logo facing the outer side.  
**b.** Use 2 M10x45 carriage bolts, 2 M10 cap nuts and spring washers, but do not fully tighten the bolts yet.
4. Now attach the second A-frame to the other end of the footrest by inserting M10x50 carriage bolts through the holes in the footrest and the A-frame.
5. Now place two polystyrene blocks on the ground again and put the second footrest on top.
6. Slide the footrest over the two protruding carriage bolts on the A-frame and secure with 2 M10 cap nuts and spring washers, but do not fully tighten the bolts yet.
7. **a.** Now attach the third A-frame to the other end of the second footrest, with the Extremis logo facing the outer side.



- b.** Assemble the outer A-frame using 2 M10x45 carriage bolts, 2 M10 cap nuts and spring washers, but do not fully tighten the bolts yet.
8. Now attach a set screw M10x35 in the outer A-frames and one set screw M10x40 in the middle A-frame(s) as shown in the drawing. Make sure the set screw is centered to the A-frame.
9. Go to page 57 if you want to assemble the LED module.  
Go to page 66 if you want to assemble the shade or market shade.  
Position the top tube between the two A-frames.
- a.** Slide the top tube over the adjusting screws so that it is correctly located.
- b.** First screw an M10 cap nut and spring washer onto the adjusting screw on both sides to hold the top tube in place.
10. Repeat the procedure for the second top tube.
11. **a.** Now attach the top tube to the outer A-frames, each using two M10x25 carriage bolts, M10 cap nuts and washers. Tighten all bolts.
- b.** Also attach the top tube to the center frame(s), using two set screws M10x40, 4 M10 cap nuts and spring washers. Tighten all bolts.
12. Screw an M10 cap nut and spring washer onto the outside of each of the two adjusting screws, as well as a rubber cap with Extremis logo in the large holes as shown in the drawing. Remove the expanded polystyrene blocks.
13. **a.** Insert the connector axis through the four holes on each A-frame.
- b.** Make sure they are properly centered.
14. Fit a black plastic cap onto each end of the pins and secure it with an M8x20 screw. Make sure that the plastic caps fit correctly on the A-frame and tighten all the screws.
15. You can now position the tabletop between the two A-frames on the preferred caps.





## **Add-on table** (p42)

1. Hang the add-on table on the two black plastic caps on the A-frame where you want to use it. You can choose the desired height by using either the upper or lower pair of caps.

## **Screenholder** (p44)

1. Fit the wire hanger to the desired A-frame by inserting it into the holes.
2. Fix the plate to the screen using the screws and spacers provided.
3. You can now hang the screen over the wire hanger.

## **Tabletop fixation** (p46)

1. Place the tabletop upside down on a flat, clean surface and attach the two tabletop fixation plates to the two corners of the tabletop using one wing screw and one M6x16 countersunk screw with spacer on each. Make sure that the lip of the plate is on the outside and points away from the tabletop. Tighten the countersunk bolt firmly, but leave the wing screw loose so that the plate can still slide back and forth.
2. Slide the plates all the way in so that they do not protrude from the tabletop.
3. Turn the tabletop over and mount it in the highest position!
4. Slide the two plates outwards so that the two plastic caps of the A-frame sit properly in the recess of the plate and then tighten all the wing screws.

## **Leveling feet** (p50)

1. Remove the standard plastic caps from the A-frames.
  - a. Drill a hole in the plastic cap.
  - b. Then pull out the plastic cap using a screwdriver as shown in the drawing.
2. Fit the new flat-ended caps with internal thread into the A-frames.
3. Screw the adjustable feet into these caps.



- Screw out the adjustable feet until they touch the ground everywhere.
  - Then fix them by tightening the nut.

## Floor fastening (p52)

- Remove the standard plastic caps from the A-frames.
  - Drill a hole in the plastic cap.
  - Then pull out the plastic cap using a screwdriver as shown in the drawing.
- Now fit the stainless steel floor fastening feet into the A-frames.
  - Make sure that the disc at the bottom is kept parallel to the floor and that the hole lines up with the hole in the A-frame.
- Now insert a connection plate inside the floor fastening foot.
- Fix the bolts M8x20 through the hole of the A-frame and the floor fastening foot to the connection plate as shown in the drawing. Do not tighten the bolt!
- Put your AMAi on the desired height & tighten all bolts on the floor fastening feet.
- Mark the locations on the floor where the anchors are to be fitted and drill at the points indicated.
- Use the fasteners that are most suitable for the surface on which the AMAi is to stand.

## Hanging hook (p56)

- Fix two M5x12 bolts & hammer nuts to the hanger as shown in the drawing but do not tighten yet! Also, the position of the corners of the hammer nuts are very important!
- Insert the hanger in the slots of the top profile (in the desired position) and tighten the bolts.

## LED module (p58)

- Remove the side plate with hole by unscrewing the four bolts and set everything aside.



2. Remove the large cover plate from the top profile.
3. Slide the lighting & electricity module in the top profile. Attention: make sure the lighting & electrification is facing downwards.
4. Reattach the side plate with the four screws. Attention: make sure the electricity cable goes through the hole of the side plate.
5. Position the top profile between the two A-frames.
  - a. Make sure the electricity cables goes through the hole of the A-frame and faces towards the socket you want to use. Connect the power supply to this connector.
  - b. Slide the top profile over the adjusting screws so that it is correctly located so that it already stays in place.
  - c. First screw an M10 cap nut & washer onto the two adjusting screws to hold the top profile in place.
6. Make sure the lighting & electricity module is centered. Now insert two small cover plates to the top profile, left and right next to the lighting & electricity module, with the recess facing outwards as shown in the drawing.

Now go back to step 5 on page 17 (standard module).  
Now go back to step 9 on page 34 (extension module).

## Connecting multiple LED modules (p62)

1. Remove the side plate with hole by unscrewing the four bolts and set everything aside.
2. Remove the large cover plate from the top profile.
3. Slide the lighting & electricity module in the top profile. Attention: make sure the lighting & electrification is facing downwards.
4. Reattach the side plate with the four screws. Attention: make sure the electricity cable goes through the hole of the side plate.
5. Position the top profile between the two A-frames.
  - a. Make sure the electricity cables goes through the hole of the A-frame and faces towards the socket you want to use.
  - b. Slide the top profile over the adjusting screws so that it is correctly located so that it already stays in place.



- c.** First screw an M10 cap nut & washer onto the two adjusting screws to hold the top profile in place.
6. Then repeat the procedure for the second top profile and attach the two lighting & electricity module to each other. Attention: male to female as shown in the drawing. Connect the power supply to this connector.
  7. Make sure the lighting & electricity module is centered. Now insert two small cover plates to the top profile, left and right next to the lighting & electricity module, with the recess facing outwards as shown in the drawing.  
Now go back to step 5 on page 17 (standard module).  
Now go back to step 9 on page 34 (extension module).

## **Shade & market shade** (p67)

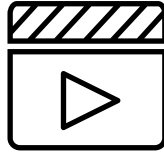
1. Remove the side plate with hole by unscrewing the four bolts and set everything aside.
2. Slide two of the shade spacers supplied into the two outer slots in the top profile. Make sure they are placed in the top slot as shown in the drawing.
3. Now also slide three flat plates into each slot of the top profile as shown in the drawing.
4. Now slide the shade stopper profiles into the same slots as the shade spacers.
5. Now slide another shade spacer into the same slots.
6. Reattach the side plate with the four screws.
7. Each time, position the center hole of the flat plates above the holes in the upper profile.
8. Now mount the three rectangular tubes in the center holes of the six flat plates each using an M6x12 bolt and an M6 spring washer.
  - a.** Fix the bolts and spring washers into the rectangular tube through the side.
  - b.** Then tighten them using a 5 mm Allen key through the lower holes in the rectangular tube.



9. Now go back to step 5 on page 17 (standard module).  
Now go back to step 9 on page 34 (extension module).
10. Next slide the three stainless steel tubes through the rectangular tubes. Attention: make sure the bracket is facing upwards.
11. Next attach the three stainless steel tubes to the rectangular brackets using two M8x12 bolts each.
12. Now hang the fabric on the AMAi by sliding it over the three stainless steel tubes. Make sure the side with the two black cords faces outwards.
13. Push the fabric all the way up to the top profile and hook the first stick in the three hooks under the tubes. Tip: When doing so, lift the shade stopper profile slightly so that the pole can pass through.
14. Use the black cords to open the shade. Clamp the outer pole in the three black plastic hooks on the outside of the stainless steel tubes to hold the shade open. When closing the shade, make sure the fabric goes all the way under the shade stopper profile.
15. Lead one of the bungees of the black cords through the loop to secure the shade when closed.







Watch the maintenance videos on our website:

[www.extremis.com/maintenance](http://www.extremis.com/maintenance)

## **Powder coating**

### **CLEANING**

#### Regularly

Use Extremis Multicleaner, a 100% biodegradable detergent or common kitchen cleaning products. Avoid using aggressive products. These surfaces are best cleaned with a neutral cleaning product diluted in water.

### **REPAIRING DAMAGED POWDER COATING**

#### When damaged

The impact of sharp objects can damage the coating. Scratches or dents can be touched up with our paint pens. However this only camouflages the scratches without removing them.

## **Galvanized steel**

### **CLEANING**

#### When dirty

Clean with lukewarm water and a brush.

### **REPAIRING DAMAGED PARTS WITH ZINC SPRAY**

#### When damaged

Hot dip galvanization is the most durable way of protecting metal



against rusting. If the zinc coating is damaged, the exposed metal can rust. This can easily be touched up with zinc paint that automatically has the same colour and is readily available in shops. Zinc spray forms a quick drying, self healing and flexible coating that helps stop corrosion.

## **Stainless steel**

### **KEEPING YOUR STAINLESS STEEL STAIN-LESS**

#### Regularly

The surface will inevitably get scratched, even during normal use. Major scratches can be avoided by never moving uneven or rough objects over the table's surface. Stains can also appear, but most of them can be removed with generally available stainless steel cleaning products.

## **Wood**

### **DAY TO DAY CLEANING**

#### Clean regularly and after every use

Wood doesn't need much maintenance, but the better you treat it, the longer it will last. Cleaning the wood regularly and immediately after use with a damp cloth will prevent fluids from penetrating deep into the wood. An oiled table will absorb liquids less quickly, keeping it clean for longer. To remove stubborn remains of dirt, simply use a stiff brush and some water. Be careful not to permanently damage the fibres. For this reason, never ever use a high-pressure cleaner to clean wood.

### **CLEANING**

#### Once or twice a year

Depending on the weather conditions, wood needs a descent polish at least once a year. We would recommend to do this before Spring and before Winter, if your furniture is outside the whole year round. Pick one of those humid, cloudy days, as it is better for the moisture level in the wood to dry out slowly after cleaning. For a thorough cleaning, we can





recommend our Extremis Wood Cleaner. This is a bio-degradable cleansing shampoo for wooden furniture. The product removes grey discoloration, green deposits and dirt. Should any cracks appear, you can simply sand them down by hand using 120 grit sandpaper.

## OILING

### Once a year

You are free to protect your wood from UV, inclement weather and stains. Needless to say we strongly recommend to do this once a year. Extremis Wood Protector is a 100% natural product based on linseed oil. It is colorless, but the wood will be darker after this treatment. Remove all residues of old applications.

## MACHINE SANDING

### Only every 2 to 4 years

After a few years, there will be little cracks and maybe some warping in your wood. This is completely normal, because wood is a natural, living material. Solid wood has the great benefit that you can sand away the top layer to make the surface smooth and flat again. You can do this every two to four years with a hand-held sander. Do it on a dry day. Use 120-grit sandpaper for this.

## REPLACING A WOODEN PART

Hey! You don't need to be an engineer to understand our products. And you don't even need to be great at DIY to replace a part. Do make sure that you can't repair the damage simply by sanding the slat.

## **Soft desktop**

## CLEANING

### Regularly

Remove dust and fingerprints using a microfibre cloth. Remove small stains using a cleaning cloth and spray cleaner/indoor surface cleaner.



Clean badly soiled panels wet all over. Use a cleaning cloth and water containing indoor surface cleaner to wet the surface. Then dry with a well-rinsed and wrung-out cloth.

## REMOVING STAINS

### Only if nothing else helps

Remove stains as soon as they occur! Remove coffee, tea, alcohol immediately before the substances begin to act on the table top. Take precautions by using coasters.

## Oak veneer

### CLEANING

#### Regularly

Dust regularly using a lightly dampened cloth in the direction of the wood grain, never across the grain. Wipe dry with a soft cloth immediately afterwards. Do not use too much water and, above all, do not leave any residual water. Do not use abrasive cleaning agents or aggressive solvents!

#### In case of spillage of soft drinks, beer, coffee, tea, wine, etc. and even water

Soak up the liquid immediately with a damp cloth and dry the area with a dry cloth or chamois leather. Use a soft cloth and particularly not paper towels. These can scratch the surface. Shrinkage or staining caused by moisture are therefore not covered by the guarantee.





Our headquarters:  
Couthoflaan 20b  
B-8972, Poperinge  
info@extremis.com  
+ 32 57 346020

**extremis.com**

Connect with us



All rights reserved. Unless otherwise specified, all designs and photographs contained in this publication are copyright protected and are the property of Extremis. No part of this publication may be copied or distributed without Extremis' prior written consent. The names of the authors of photographs to which we do not hold rights are mentioned here. We have done our utmost to provide a comprehensive list of names. In the event of an alleged breach, please contact the editorial staff. © Extremis

LAB149-1