

# Pantagruel picnic

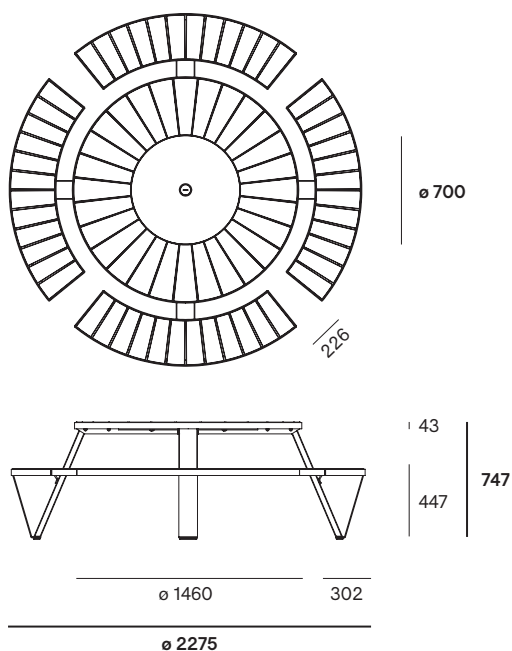
© design by Dirk Wynants

extremis®



## Dimensions

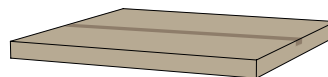
The Pantagruel picnic is available in one dimension



## Box dimensions

The Pantagruel picnic comes in 4 boxes

Box 1: Tabletop



Box 2: benches (2x)



Box 3: Supports



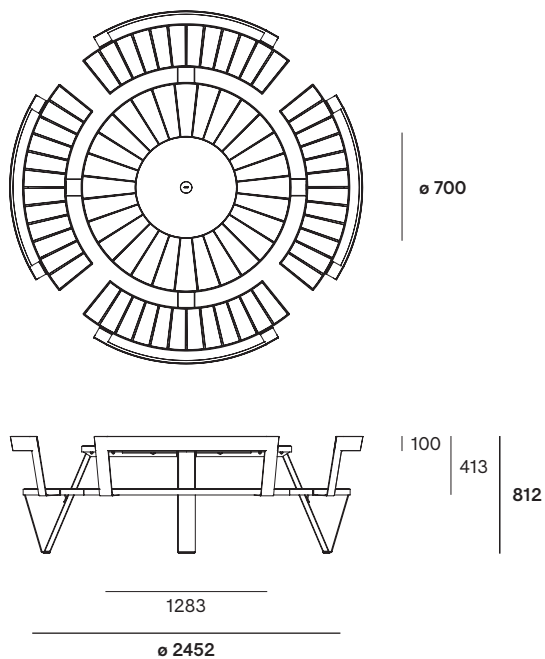
Box 4: Legs + mounting kit



Box dimensions (mm)		L	W	H	Qty	Volume (m3)	Gross weight (kg)	Net weight (kg)	Packaging weight (kg)
Galvanized version	Box 1	1530	1500	100	1	0,23	69,00	63,20	5,80
	Box 2	1480	540	100	2	0,16	62,80	57,60	5,20
	Box 3	470	160	145	1	0,01	12,00	11,80	0,20
	Box 4	1000	340	290	1	0,01	26,40	22,40	4,00
Total:						<b>0,41</b>	<b>170,20</b>	<b>155,00</b>	<b>15,20</b>
Powder coated version	Box 1	1530	1500	100	1	0,23	69,00	63,20	5,80
	Box 2	1480	540	100	2	0,16	62,80	57,60	5,20
	Box 3	470	160	145	1	0,01	12,00	11,80	0,20
	Box 4	1000	340	290	1	0,01	26,40	22,40	4,00
Total:						<b>0,41</b>	<b>170,20</b>	<b>155,00</b>	<b>15,20</b>

## Backrest

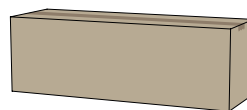
The backrest is available in one dimension



## Box dimensions

The backrests come in 1 box per 2 backrests

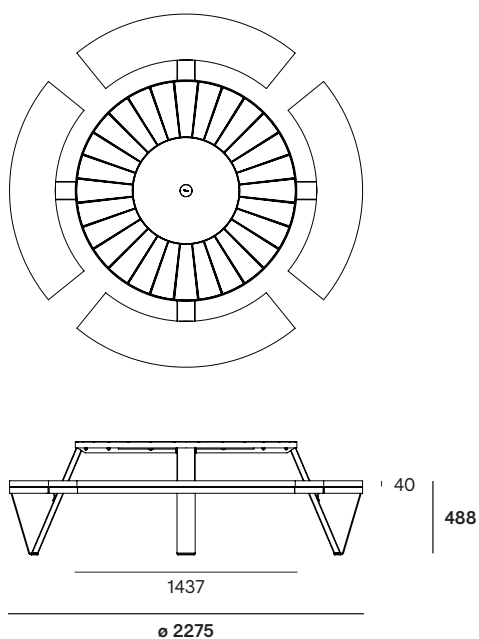
Box 5: backrest (2x)



Box dimensions (mm)		L	W	H	Qty	Volume (m3)	Gross weight (kg)	Net weight (kg)	Packaging weight (kg)
Galvanized version	Box 5	1420	470	470	1	0,31	24,20	21,00	4,20
Powder coated version	Box 5	1420	470	470	1	0,31	25,60	21,40	4,20

## Cushions

The cushions are available in one dimension



## Box dimensions

The cushions come in 1 box

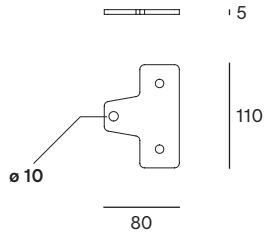
Box 6: 4 cushion (4x)



Box dimensions (mm)		L	W	H	Qty (#)	Volume (m3)	Gross weight (kg)	Net weight (kg)	Packaging weight (kg)
Cushions	Box 6	1430	480	230	1	0,16	7,40	4,80	2,60

## Floor fastening

The floor fastening is available in one dimension



## Box dimensions

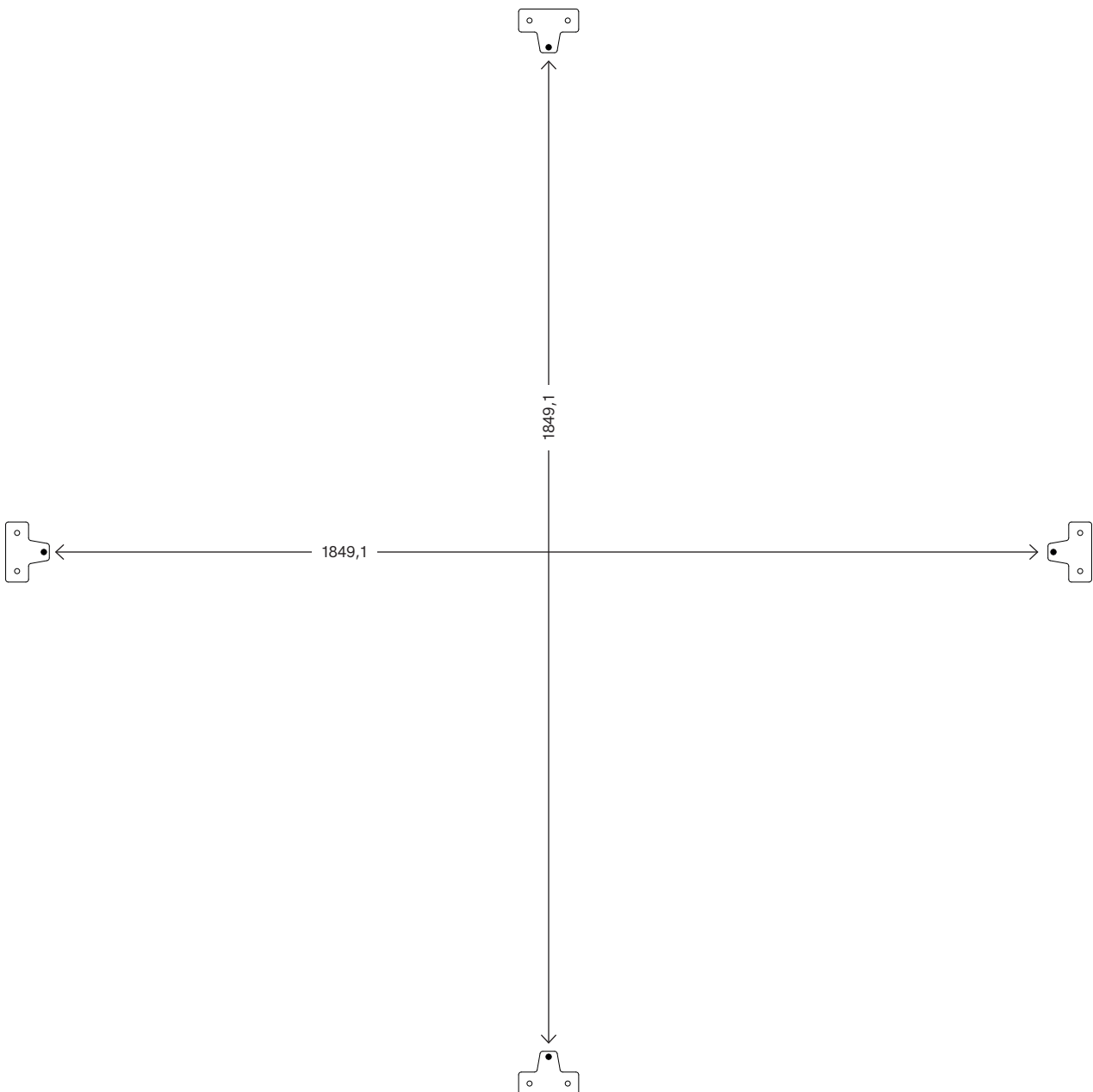
The floor fastening comes in 1 box

Box 7: floor fastening set



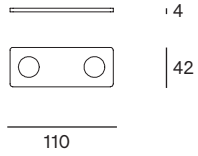
Box dimensions (mm)		L	W	H	Qty	Volume (m <sup>3</sup> )	Gross weight (kg)	Net weight (kg)	Packaging weight (kg)
Floor fastening	Box 7	205	145	150	1	0,01	1,03	0,96	0,07

These dimensions can be used for pre-drilling the holes into the ground to later attach the ground anchor



## Protection felt

The protection felt is available in one dimension



## Box dimensions

The protection felt comes in 1 box

[Box 8: protection felt set](#)



Box dimensions (inch)		L	W	H	Qty	Volume (m3)	Gross weight (kg)	Net weight (kg)	Packaging weight (kg)
Protection felt	Box 8	205	145	150	1	0,01	0,08	0,01	0,07

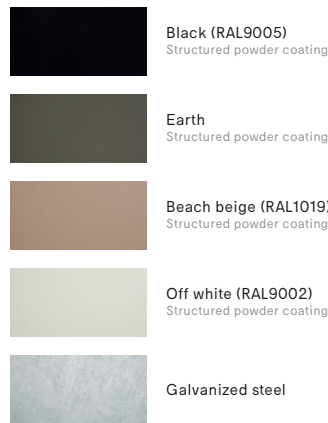
# Materials & colors

Check price list or [www.extremis.com](http://www.extremis.com) for current materials & colors

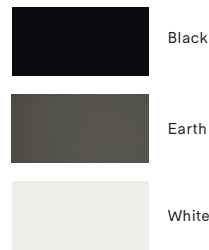
## Tabletop & benches



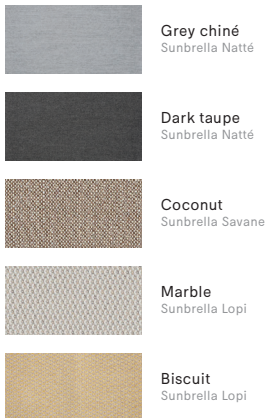
## Frame, legs & backrest



## HPL Lazy Susan



## Sunbrella® cushions



Materials	Key facts	Thickness mm	Layer thickness micron	Density	In/outdoor	Water	UV color fastness	Flame retarding
Iroko tabletop & benches	<ul style="list-style-type: none"> <li>Durability CLASS 1</li> <li>Feels comfortable in all weather conditions</li> <li>Advisable to oil the wood</li> </ul>	20	n.a.	600 à 700 kg/m <sup>3</sup>	Outdoor & indoor	n.a.	Untreated wood turns grey after a while	/
Hellwood tabletop & benches	<ul style="list-style-type: none"> <li>Durability CLASS 1</li> <li>Carries the PEFC™ label for durable forestry</li> <li>Feels comfortable in all weather conditions</li> <li>Advisable to oil the wood</li> </ul>	20	n.a.	600 kg/m <sup>3</sup>	Outdoor & indoor	n.a.	Untreated wood turns grey after a while	/
Hot dip galvanized steel legs, frame and backrests	<ul style="list-style-type: none"> <li>Most durable method for protecting metal from rusting</li> <li>Protective layer</li> <li>Very long life span</li> <li>100% recyclable</li> <li>Cradle to Cradle Certified™</li> </ul>	2-6	50 - 100	7,50 10 <sup>3</sup> kg/m <sup>3</sup>	Outdoor & indoor	n.a.	Very good, galvanisation will however become less shiny when used outdoors	NEN-EN13501-1 A1 *
Structured powder coated zinc steel frame, bench supports & backrest	<ul style="list-style-type: none"> <li>Easy to clean</li> <li>Electro galvanized (for protection against rust), then powder coated</li> <li>More scratch-resistant than non structured powder coating</li> </ul>	4-6	+ / - 100	7,50 10 <sup>3</sup> kg/m <sup>3</sup>	Outdoor & indoor	n.a.	Very good: color can fade to some extent when exposed to UV	NEN-EN13501-1 A1 *
Structured powder coated stainless steel legs	<ul style="list-style-type: none"> <li>Easy to clean</li> <li>Stainless steel (for protection against rust), then powder coated</li> <li>More scratch-resistant than non structured powder coating</li> </ul>	2	50 - 100	8,00 10 <sup>3</sup> kg/m <sup>3</sup>	Outdoor & indoor	n.a.	Very good: color can fade to some extent when exposed to UV	NEN-EN13501-1 A1 *
High pressure laminate Lazy Susan	<ul style="list-style-type: none"> <li>Manufactured under high pressure</li> <li>Reinforced with wood fibres</li> <li>Flat panel</li> <li>High impact resistance</li> <li>Easy to clean</li> </ul>	13	n.a.	1,40 10 <sup>3</sup> kg/m <sup>3</sup>	Outdoor & indoor	n.a.	>6 (EN438-2:27) en (ASTM G53-91)	/
Sunbrella cushions	<ul style="list-style-type: none"> <li>100% Sunbrella Acrylic</li> <li>Best outdoor fabric available for making cushions</li> <li>Dirt repellent</li> <li>Not waterproof, store inside!</li> <li>Machine washable at max. 30°C. Ironing restores the protective layer</li> </ul>	0,50	n.a.	260 g/m <sup>2</sup>	Outdoor & indoor	The fabric has a water column of 350 mm (EN 20811)	7/8 (ISO 105-B02)	/

NEN-EN13501-1 A1 Class A1 products will not contribute to fire in any stage, including fully developed fire. For this reason, they are assumed to be capable of satisfying all requirements of all lower classes as well.

## Good to know

- PEFC™ certified wood (Hellwood) originates from sustainably managed forests.
- Pantagruel picnic is fitted with a Lazy Susan, a central rotating tray, to easily pass things through. The Lazy Susan can be fixed for use in public spaces.
- The hole in the tabletop to place a shade in is ø65 mm.
- Pantagruel picnic combines perfectly with Inumbra medium/large & Inumbriana large. For both combinations, a connection piece is required.



With Inumbra



With Inumbriana

## Certificates

- TÜV
- PEFC
- Cradle to Cradle

## F.A.Q.

Q: Do you need to oil the wood?

A: Just like other types of wood, wood will gradually become rougher and start to turn grey as a consequence of exposure to the sun and rain. Small cracks and crevices can also appear as part of this process. We strongly advise everyone to treat the furniture with our Wood Protector. This 100% natural oil controls the moisture level within the wood, which makes the planks stay stable for longer, and the layer of oil also helps to prevent spilled liquids from being absorbed, so that stains tend to stay superficial. It is best to repeat this treatment at regular intervals.

## Maintenance

Find maintenance instructions at the [product care](#) section of [extremis.com](#) for

### POWDER COATED PARTS

- White powder coating obviously requires more maintenance.

### GALVANIZED PARTS

- How to repair a damaged zinc layer.

### SUNBRELLA

- Shake or brush off loose dirt immediately.
- Spray Extremis Multi Cleaner.
- Use a soft brush and make circular movements.
- Let the suds soak in for a moment.
- Rinse thoroughly to remove all soap residue.
- Simply allow to dry.
- It's also possible to put the blanket and the pillow covers in a washing machine (max 40°C). Follow the cleaning instruction on the label.
- If the cushion has metal brackets, we recommend turning the cover inside out first to avoid damaging the washing machine. In this case, leave the zipper open about 10 cm.

### WOOD

- Clean regularly with mild detergent.
- Thorough cleaning with Extremis Wood Cleaner.
- Oil the wood with Extremis Wood Protector. We recommend oiling the wood at regular intervals depending from location and general weather conditions.
- In order to smoothen the surface again after a thorough cleaning, lightly sand your wood with 120 grit sanding paper or a sanding pad.

### RECOMMENDED USE

- For Extremis Wood protector:



5 to 7 wood care treatments



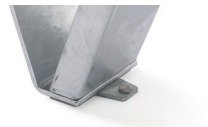
2 to 4 wood care treatments



150 - 250 ml for one Pantagruel picnic

## Floor fastening

Pantagruel comes with an optional floor anchoring set: four steel plates to be fixed with bolts.



## Warnings

### General

- Do not use any sharp tools to open the packaging.
- We strongly advise against using power tools.
- Tripping hazard, mind your step.
- Do not put out cigarettes on the table.
- Not graffiti proof.
- Do not leave children unattended whilst playing on the table.
- To avoid danger of suffocation, keep plastic bags away from babies and children.
- Colors can differ over years and from batch to batch.

### Product

- Do not stand or jump on the table.
- Do not drag the table, but carry it with minimum 2 people.
- Anchoring the product has to be done by qualified people.
- For anchoring: use suitable bolts or screws from a specialized store depending on the material your terrace is made of.
- There is protection felt for delicate floors or indoor use.
- Do not stand on the Lazy Susan or on the benches.
- The white Lazy Susan reflects in the sunlight.
- Mind your fingers whilst assembling the Lazy Susan.
- Max. 3 people or 240 kg per bench.

### Wood

- When delivered, the wood is untreated.
- Wood is a natural material and its look is different for every slat, plank and tree.
- Wood will gradually become rougher and start to turn grey as a consequence of exposure to the sun and rain. We recommend oiling the wood at regular intervals depending from location and general weather conditions.
- Clean regularly with mild detergent. Never use a high pressure cleaner as this will roughen the wood's smooth surface and irreparably damage the wood's fiber.
- Thorough cleaning with Extremis Wood Cleaner.
- We strongly recommend that you treat your wood with wood protector to protect it from stains - small cracks and crevices can also appear as part of this process. We strongly advise everyone to treat the furniture with our Wood Protector.

### Galvanized steel

- Galvanization will become less shiny when used outdoors.
- Flame retarding - NEN-EN13501-1 A1 - Class A1 products will not contribute to fire in any stage, including fully developed fire. For this reason, they are assumed to be capable of satisfying all requirements of all lower classes as well.
- Possible impurities in the immersion tank can

cause black marks during galvanization, which are intrinsic to this industrial finishing technique.

- White marks on this zinc layer are also intrinsic to this procedure and will disappear when the furniture is put outdoors.
- This industrial finishing technique may result in a rougher surface. This is intrinsic to the process.

### Powder coating

- White powder coating requires more maintenance.
- Do not use abrasive scouring powders or scourers as they will scratch the surface.
- Color can fade to some extent when exposed to UV.
- Flame retarding - NEN-EN13501-1 A2-sl - Satisfying the same criteria as Class B for the SBI-test according to EN13823. In addition, under conditions of a fully developed fire these products will not significantly contribute to the fire load and fire growth.
- Dark colors can get very hot in sunny weather.

### HPL

- UV color fastness: >6 (EN438-2:27) en (ASTM G53-91)

### Sunbrella

- Not waterproof, store inside!
- Shake or brush off loose dirt immediately.
- UV color fastness: 7/8 (ISO 105-B02).

The content of this document, in particular the mentioned models, is protected by copyrights and/or design rights. The present document and its content is communicated to you for information purposes only. Any partial or total reproduction or any other use without our prior written permission is strictly prohibited. This technical sheet remains subject to possible changes. **All dimensions are in mm**, unless mentioned otherwise. Extremis is not responsible for the errors in the documentation of products. All measurements are approximate and are provided for informational purposes only.

**Tech sheet**

20240527