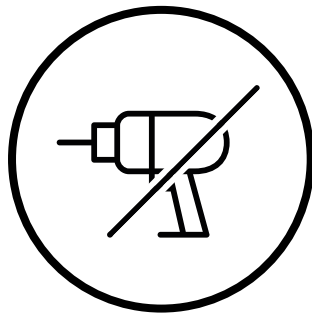


Captain's Chairs



extremis®

**IMPORTANT! RETAIN FOR FUTURE
REFERENCE: READ CAREFULLY.**



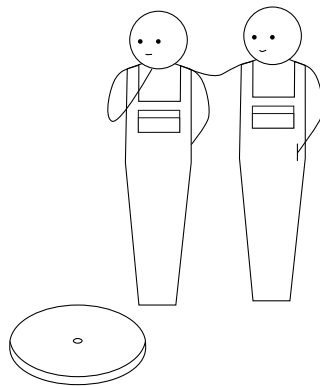
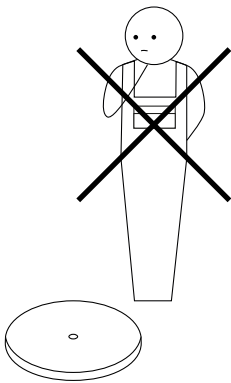
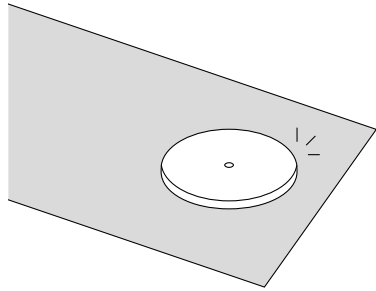
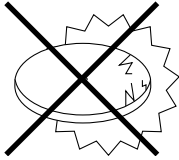


Table of contents ^{1/2}

Mounting kit [↗]

Assembly Sliding Chair [↗]

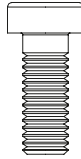
Assembly High Sliding Chair [↗]

Assembly Pipe Chair [↗]

This is an interactive PDF

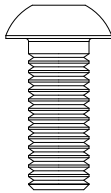
You can easily navigate through this manual, allowing you to smoothly jump from one page to the other.

Mounting kit

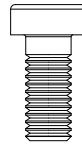


4 x M6x16

Mounting kit **CAP153** to fix the
Sliding legs to the shell



4 x M8x20



4 x M6x14

Mounting kit **CAP331** to fix the
Pipe legs to the shell



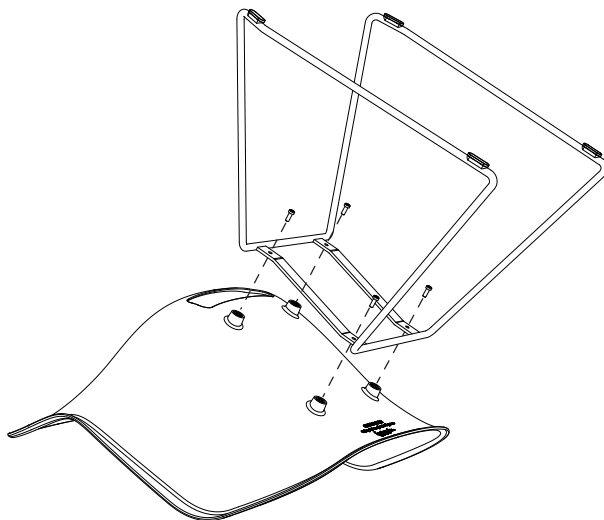
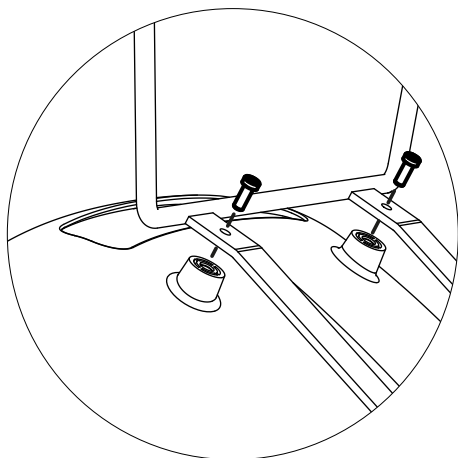
Captain's Sliding Chair

1.

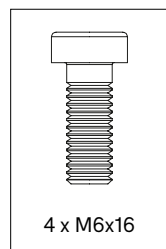
N° 4



5'



CAP153



4 x M6x16



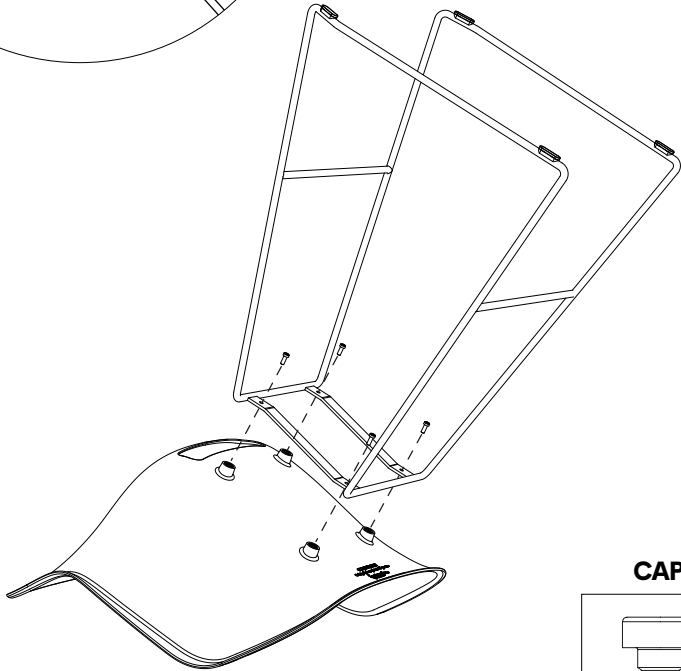
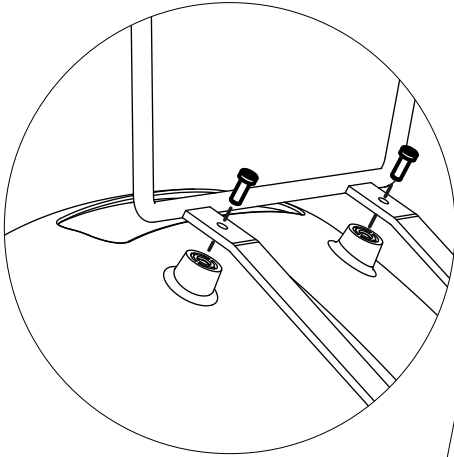
Captain's High Sliding Chair

1.

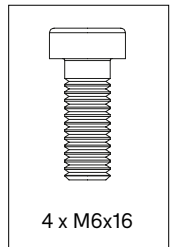
N° 4



5'



CAP153



4 x M6x16

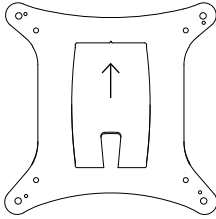
Captain's Pipe Chair

1.

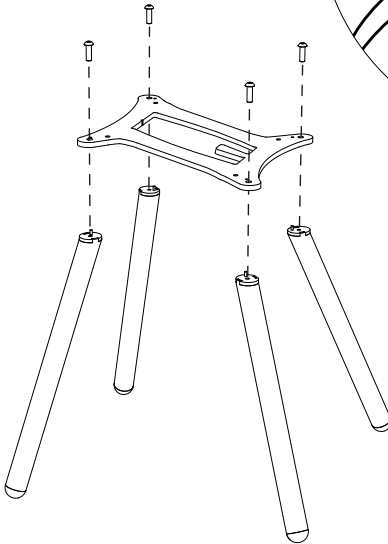
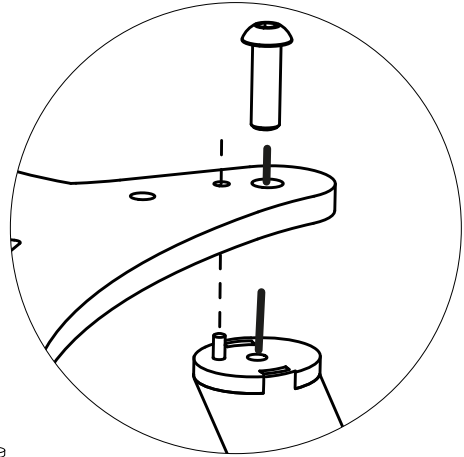
N° 4 - 5



10'

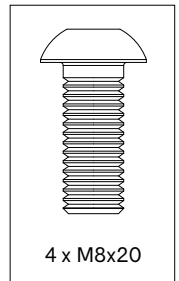


The back of the frame has a handbag hook



The longest legs are the front legs
The shortest legs are the back legs

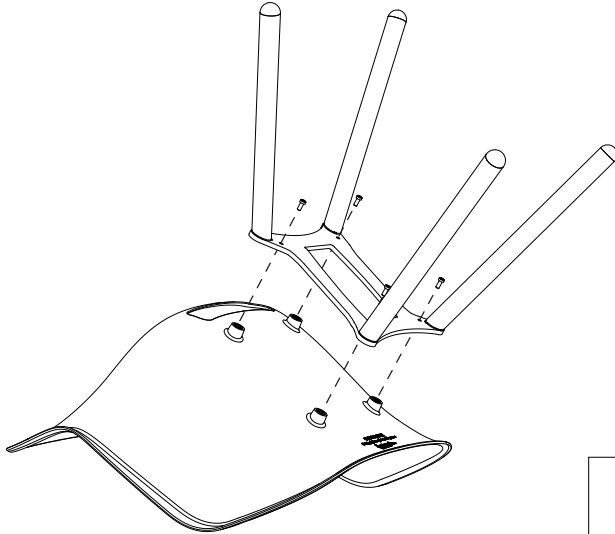
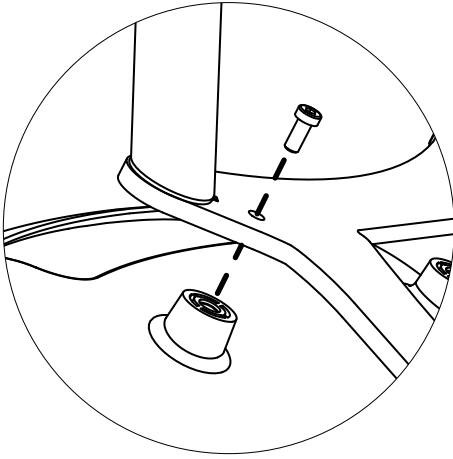
CAP331



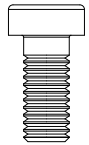
4 x M8x20



2.



CAP331



4 x M6x14

Warnings

Text instructions

Maintenance

Warnings ↗

Assembly text instructions ↗

Maintenance ↗



Warnings

General

- Do not use any sharp tools to open the packaging.
- We strongly advise against using power tools.
- Tripping hazard, mind your step.
- Do not put out cigarettes on the bench.
- Not graffiti proof.
- Do not leave children unattended whilst playing on the bench.
- To avoid danger of suffocation, keep plastic bags away from babies and children.
- Colors can differ over years and from batch to batch.

Product

- Stains should be removed immediately with a clean, soft cloth, particularly in case of darkcolored liquids such as wine, ink, coffee, coke, oil or bird droppings. If left to dry, these liquids may cause permanent damage.
- Do not stand on the chairs.
- Max. 120 kg per chair
- Do not lean backwards, always stay on 4 feet.
- Store the cushions indoors when not used.

Polypropylene

- Avoid using aggressive & abrasive products.
- Very good UV-resistance.

Powder coating

- White powder coating requires more maintenance.
- Do not use abrasive scouring powders or scourers as they will scratch the surface.
- Color can fade to some extent when exposed to UV.



- Flame retarding - NEN-EN13501-1 A2-sI - Satisfying the same criteria as Class B for the SBI-test according to EN13823. In addition, under conditions of a fully developed fire these products will not significantly contribute to the fire load and fire growth.
- Dark colors can get very hot in sunny weather.

Galvanized steel

- Galvanization will become less shiny when used outdoors.
- Flame retarding - NEN-EN13501-1 A1 - Class A1 products will not contribute to fire in any stage, including fully developed fire. For this reason, they are assumed to be capable of satisfying all requirements of all lower classes as well.
- Possible impurities in the immersion tank can cause black marks during galvanization, which are intrinsic to this industrial finishing technique.
- White marks on this zinc layer are also intrinsic to this procedure and will disappear when the furniture is put outdoors.
- This industrial finishing technique may result in a rougher surface. This is intrinsic to the process.

Sunbrella

- Not waterproof, store inside!
- Shake or brush off loose dirt immediately.
- UV color fastness: 7/8 (ISO 105-B02).



Assembly text instructions



Take a look at the drawings, starting from page 6

Captain's Sliding Chair (p6)

1. Put the shell upside down on a soft surface so that you do not damage the shell. Position the frame on the shell as shown in the drawing and fasten it by means of four hexagon socket bolts M6x16.

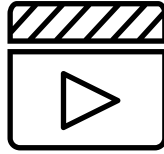
Captain's High Sliding Chair (p7)

1. Put the shell upside down on a soft surface so that you do not damage the shell. Position the frame on the shell as shown in the drawing and fasten it by means of four hexagon socket bolts M6x16.

Captain's Pipe Chair (p8)

1. Take the two longest legs and attach them to the front (side with small recess) of the frame using two bolts M8x20. Subsequently, attach the two shortest legs to the other side of the frame with two bolts M8x20.
2. Put the shell upside down on a soft surface so that you do not damage the shell. Position the frame on the shell as shown in the drawing and fasten it by means of four hexagon socket bolts M6x14.





Watch the maintenance videos on our website:

www.extremis.com/maintenance

Polypropylene

CLEANING

Regularly

Spilled liquids should be removed immediately with a clean, soft cloth, particularly in case of dark-colored liquids such as wine, ink, coffee, coke, oil and bird droppings. If left to dry, these liquids may cause permanent damage!

THOROUGH CLEANING

When dirty

Use Extremis Multi Cleaner, a 100% biodegradable detergent or common kitchen cleaning products. Avoid using aggressive products. These surfaces are best cleaned with a neutral cleaning product diluted in water.

Powder coating

CLEANING

Regularly

Use Extremis Multicleaner, a 100% biodegradable detergent or common kitchen cleaning products. Avoid using aggressive products. These surfaces are best cleaned with a neutral cleaning product diluted in water.



REPAIRING DAMAGED POWDER COATING

When damaged

The impact of sharp objects can damage the coating. Scratches or dents can be touched up with our paint pens. However this only camouflages the scratches without removing them.

Galvanized steel

CLEANING

When dirty

Clean with lukewarm water and a brush.

REPAIRING DAMAGED PARTS WITH ZINC SPRAY

When damaged

Hot dip galvanization is the most durable way of protecting metal against rusting. If the zinc coating is damaged, the exposed metal can rust. This can easily be touched up with zinc paint that automatically has the same colour and is readily available in shops. Zinc spray forms a quick drying, self healing and flexible coating that helps stop corrosion

Sunbrella

SPILLED LIQUIDS

Immediately after use

It is best to treat spilt liquids immediately by placing a sheet of absorbent kitchen paper on them. The water-resistant coating on the Sunbrella prevents droplets from penetrating the fabric.

REGULAR CLEANING

When dirty

Make a solution to remove stains on your Sunbrella.



MACHINE WASHING

Rarely

It is also possible to put the blankets and cushion covers in a washing machine (30°). Do not dry clean or tumble dry. The fabric can be creased. Ironing will help to recover the waterrepellent coating of the fabric, but only at a cool setting (delicates). As some irons exceed the recommended temperature at the synthetic setting, test a small, inconspicuous area before ironing the entire fabric. DO NOT use a steamer or iron set to the steam setting.

REMOVING STUBBORN STAINS

Only if nothing else helps

More drastic measures needed? Bleach can be used if nothing else helps. Protect the area around your Sunbrella fabric when using a bleach solution – bleach may discolour non-Sunbrella fabrics. Please be aware of the environment when cleaning with bleach. Bleach can have harmful effects on the natural environment around you. We do not advise using bleach if you are surrounded by a body of water or another environment that could be affected. If stains and/or mildew marks are severe, the quantity of bleach may be increased.





Our headquarters:
Couthoflaan 20b
B-8972, Poperinge
info@extremis.com
+ 32 57 346020

extremis.com

Connect with us



All rights reserved. Unless otherwise specified, all designs and photographs contained in this publication are copyright protected and are the property of Extremis. No part of this publication may be copied or distributed without Extremis' prior written consent. The names of the authors of photographs to which we do not hold rights are mentioned here. We have done our utmost to provide a comprehensive list of names. In the event of an alleged breach, please contact the editorial staff. © Extremis

LAB026-1