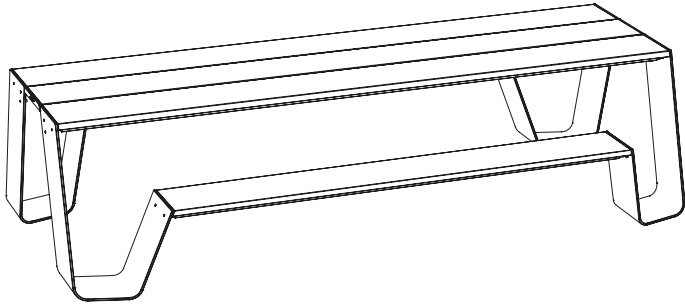
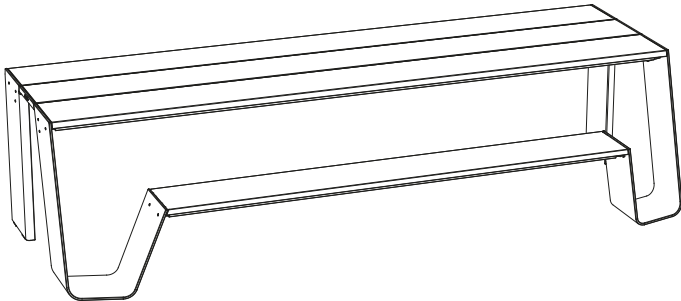


# Hopper AA

picnic



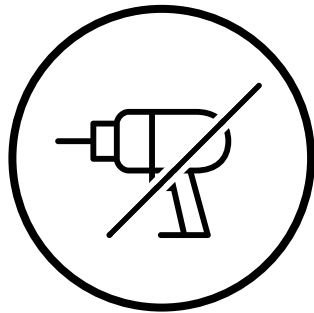
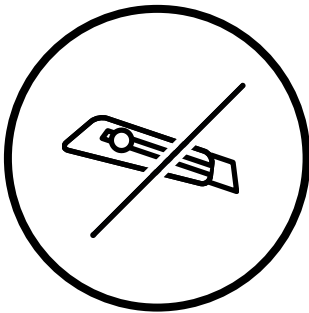
combo

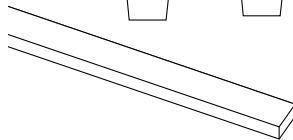
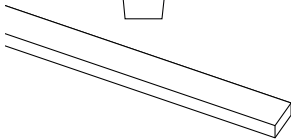
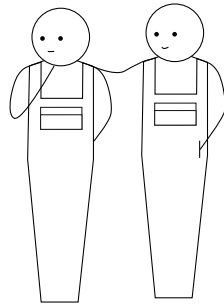
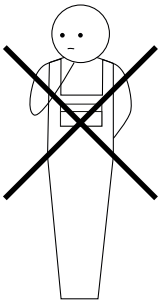
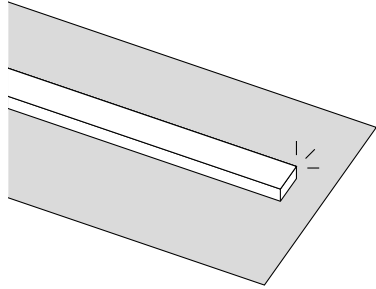


**extremis®**



**IMPORTANT! RETAIN FOR FUTURE  
REFERENCE: READ CAREFULLY.**





# Table of contents <sup>1/2</sup>

**Mounting kit <sup>↗</sup>**

---

**Exploded view <sup>↗</sup>**

---

**Assembly Hopper picnic AA <sup>↗</sup>**

---

**Assembly Hopper combo AA <sup>↗</sup>**

## **This is an interactive PDF**

You can easily navigate through this manual, allowing you to smoothly jump from one page to the other.

# Table of contents 2/2

**Assembly backrest <sup>↗</sup>**

---

**Assembly floor fastening set <sup>↗</sup>**

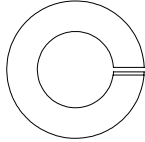
---

**Warnings - Text instructions -  
Maintenance <sup>↗</sup>**

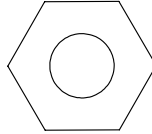
## **This is an interactive PDF**

You can easily navigate through this manual, allowing you to smoothly jump from one page to the other.

# Mounting kit

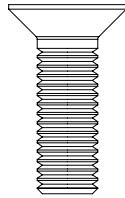


20 x M10



20 x M10

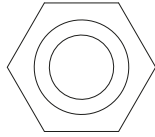
Mounting kit **HOP571** to fix  
**legs** to tabletop & bench



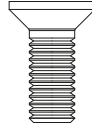
8 x M8x25

Mounting kit **HOA339** to fix  
**tabletop endcaps** to tabletop





4 x M10



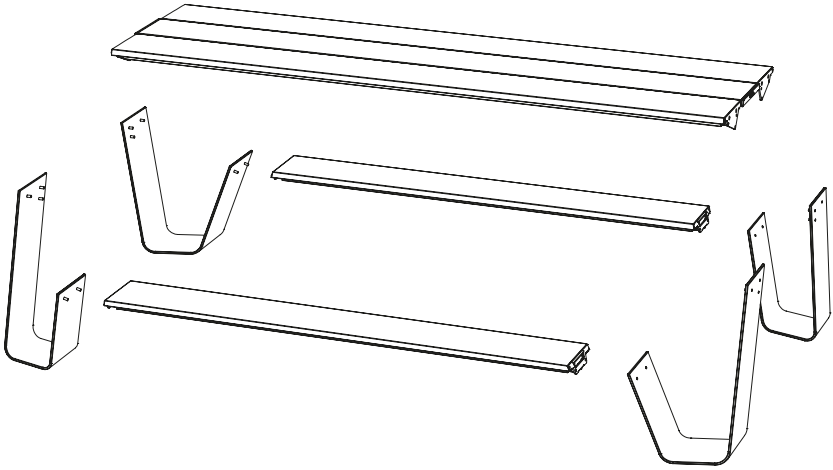
4 x M6x16

Mounting kit to fix one  
**backrest** to a bench

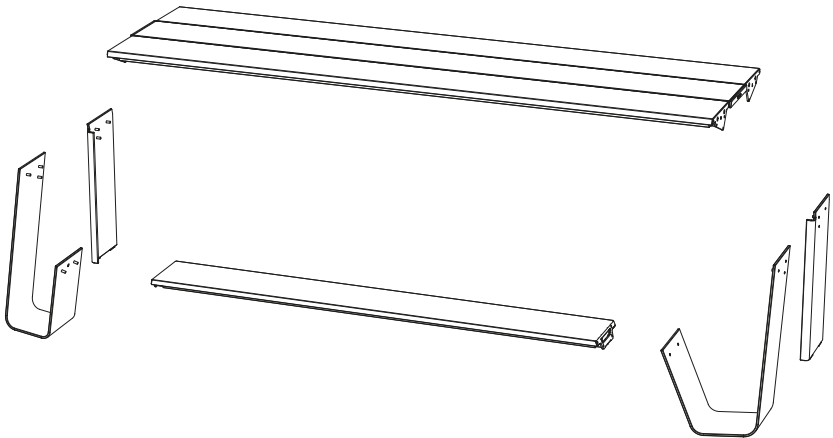


# Exploded view

## Hopper picnic AA



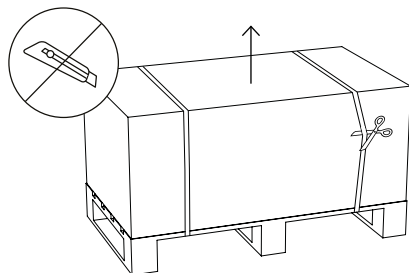
## Hopper combo AA





# Hopper picnic AA

1.



N° 17

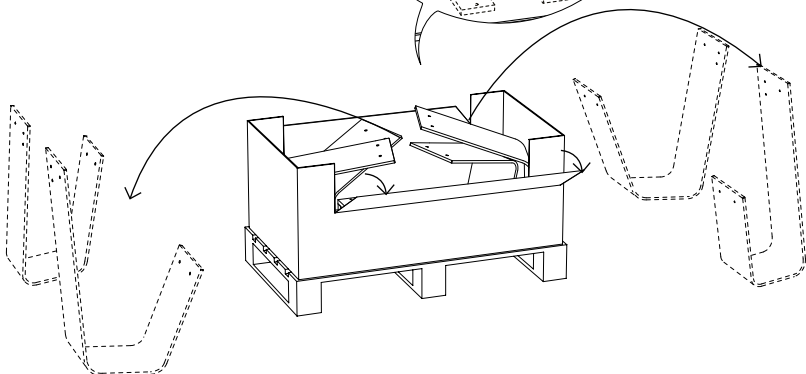
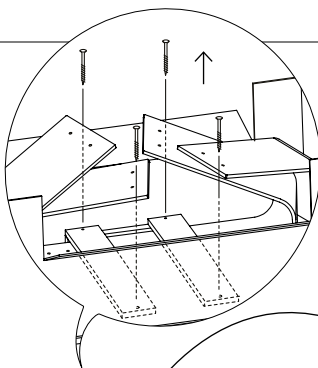


45'

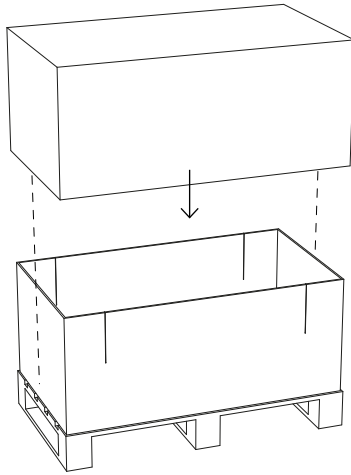


**The packaging material must stay intact for the rest of the assembly!**

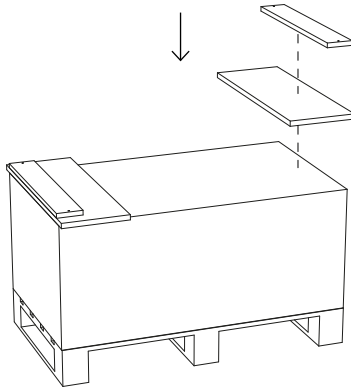
2.



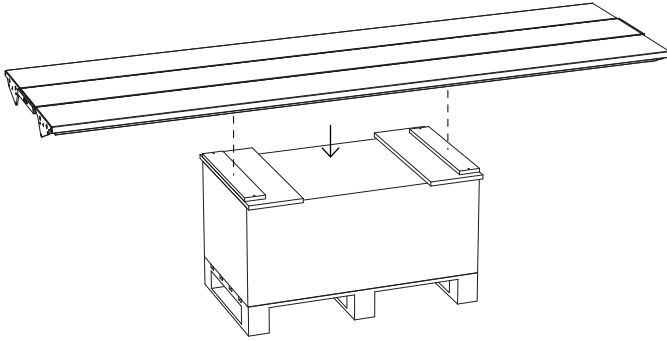
3.



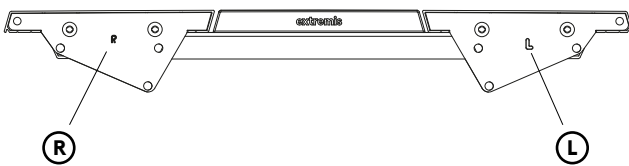
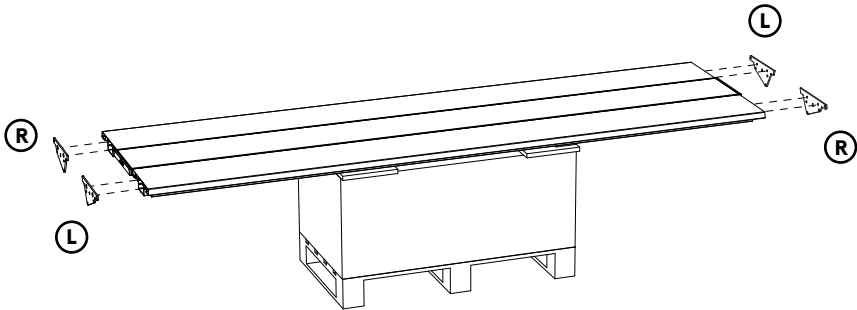
4.



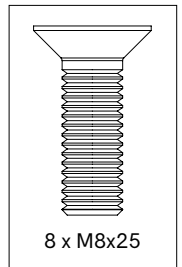
5.



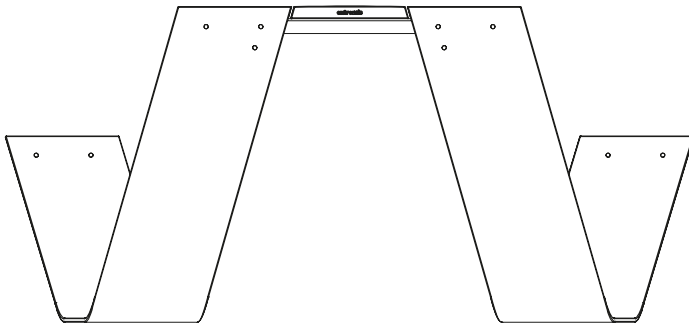
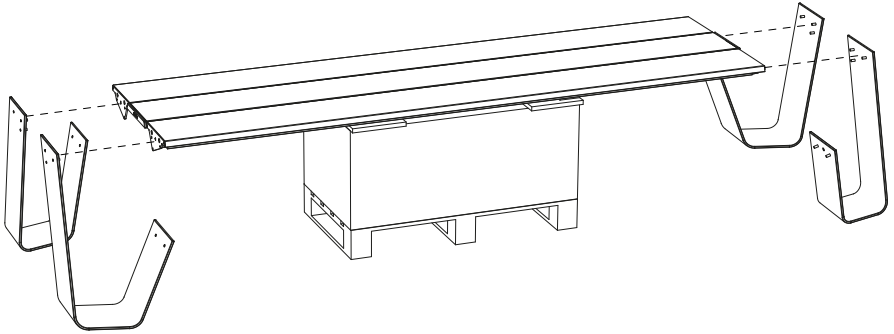
6.



**HOA339**

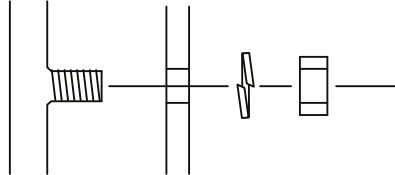
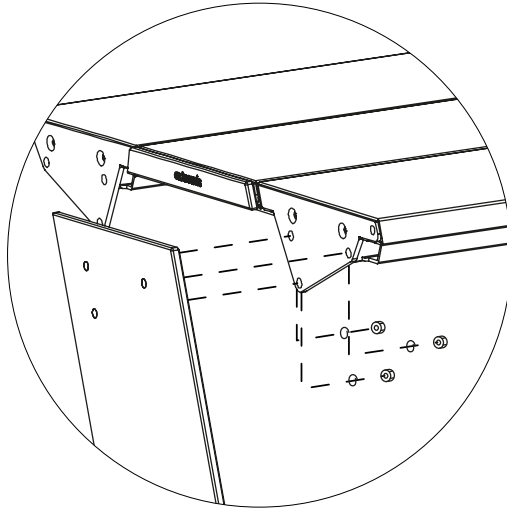


7.




**Side view**

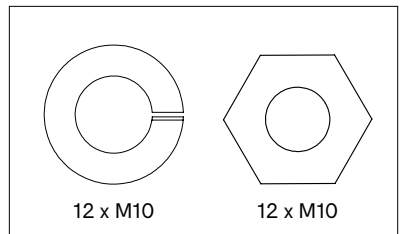
8.



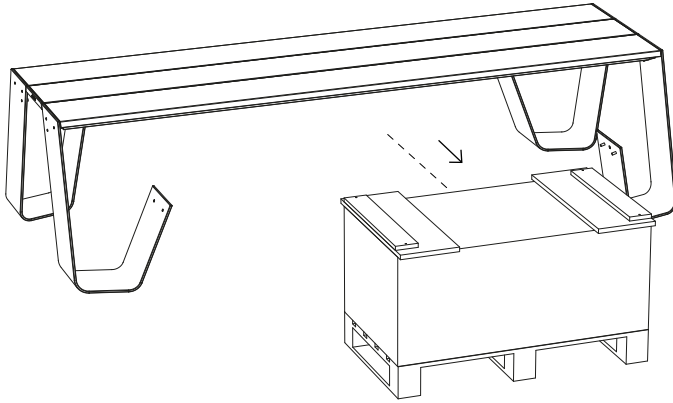
**Tighten carefully!**  
Excessive force may  
damage the coating!

  
**15 Nm  
MAX!**

**HOP571**



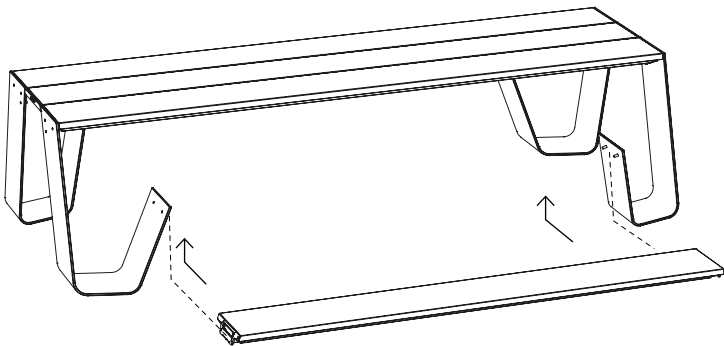
9.



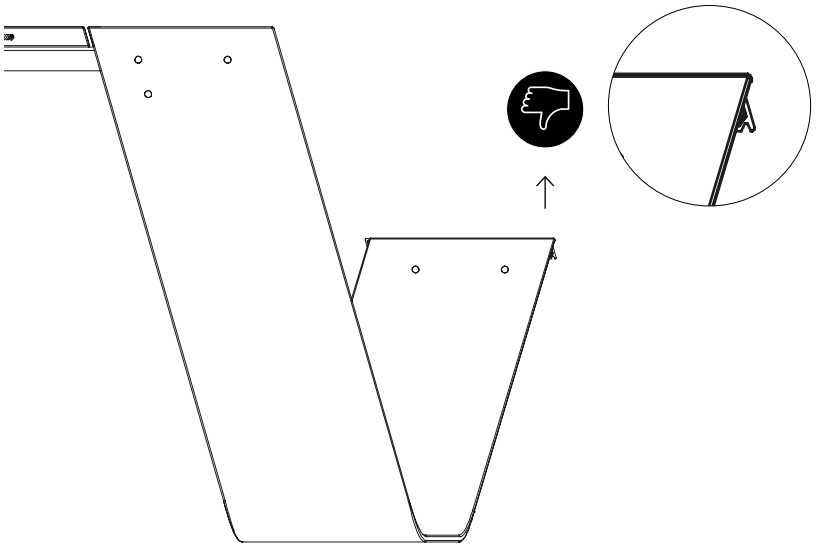
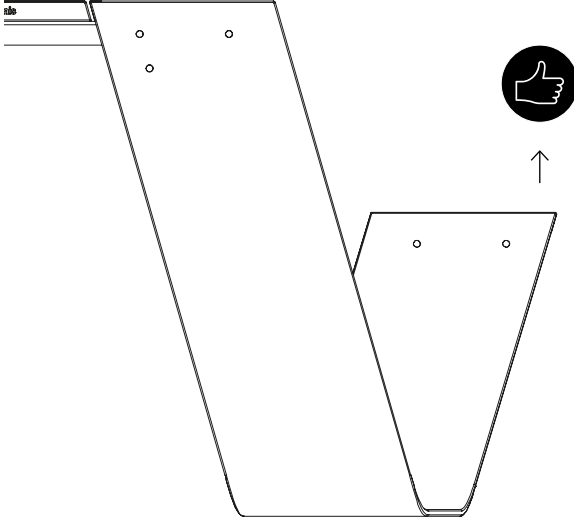
**Remove packaging before mounting the benches**

---

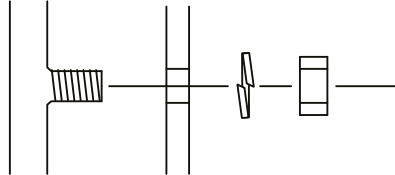
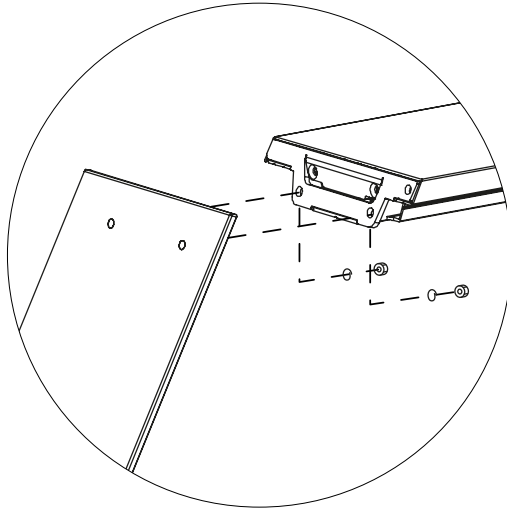
10a. Go to page 25 if you want to assemble a backrest ↗




10b.



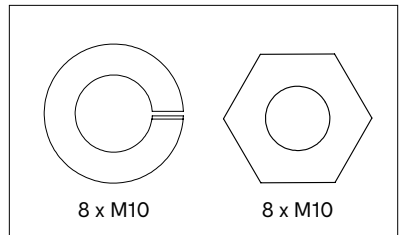
11.



**Tighten carefully!**  
Excessive force may  
damage the coating!

  
**15 Nm  
MAX!**

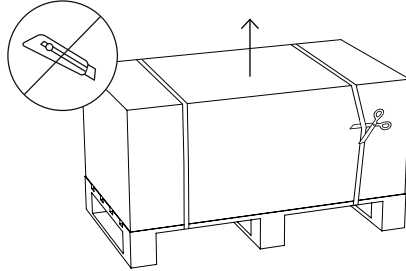
**HOP571**





# Hopper combo AA

1.



N° 17

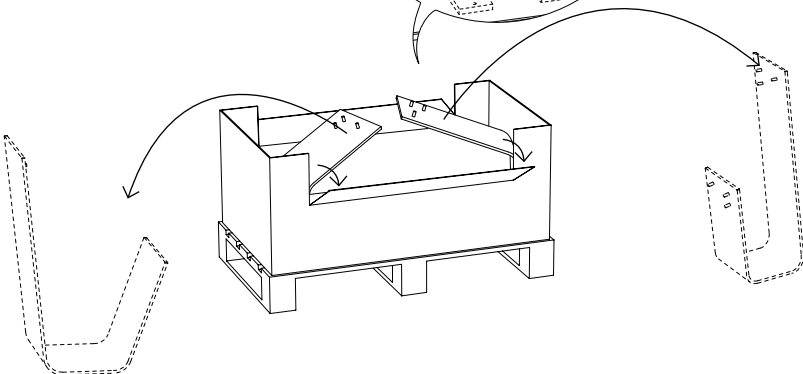
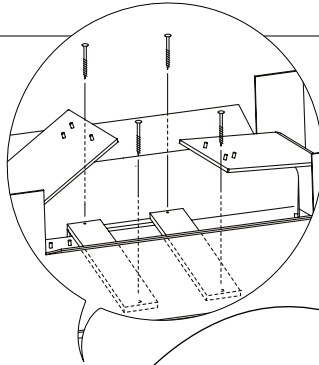
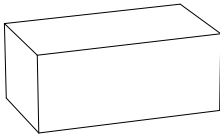


45'

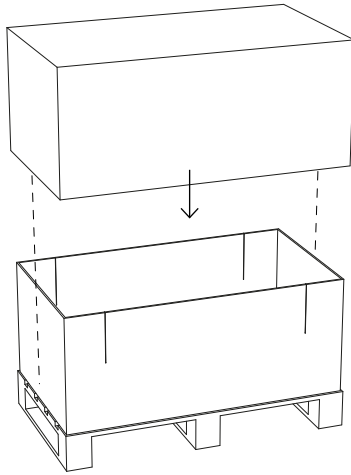


**The packaging material must stay intact for the rest of the assembly!**

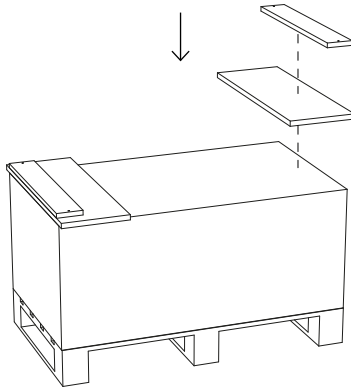
2.



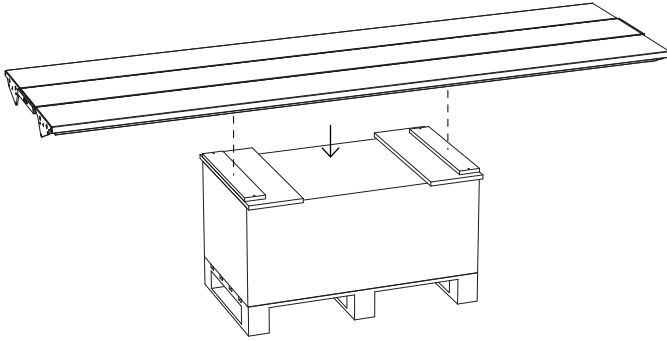
3.



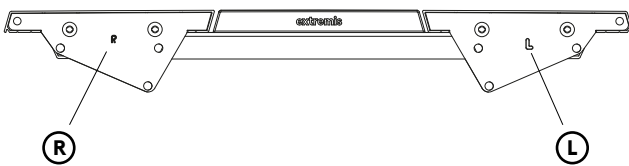
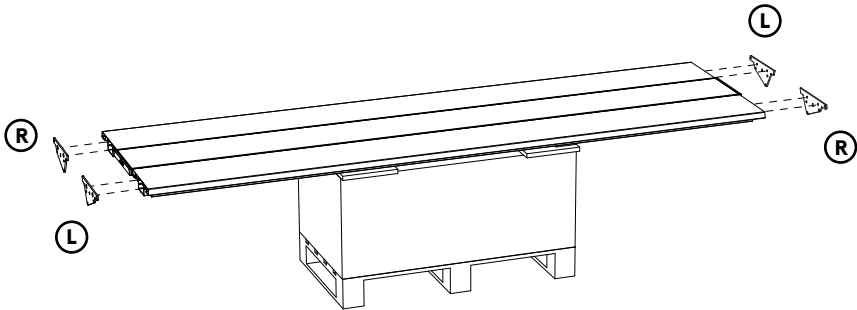
4.



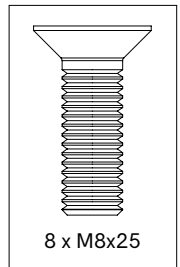
5.



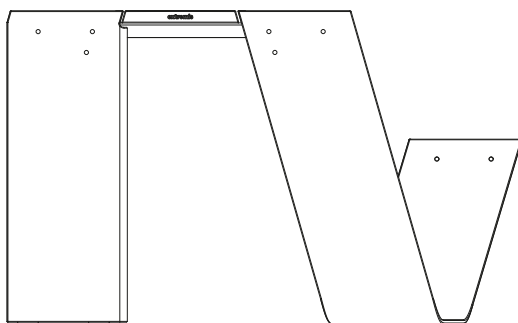
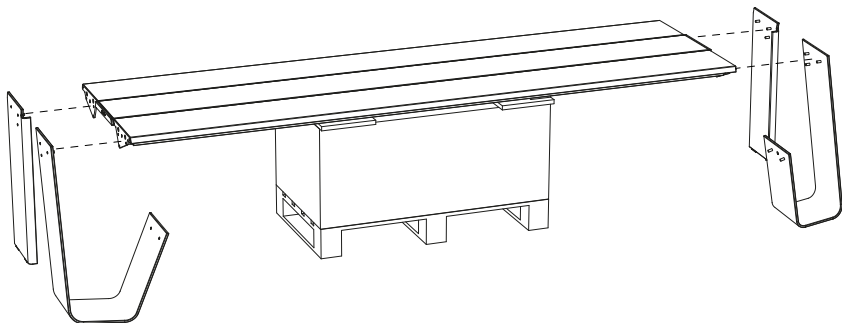
6.



**HOA339**

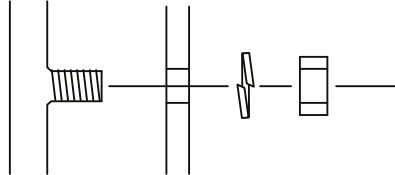
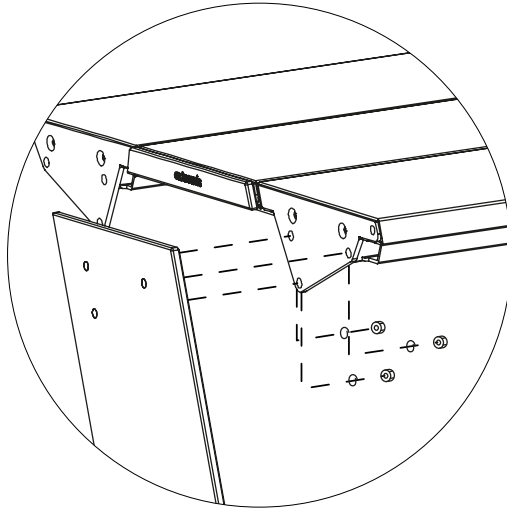


7.




**Side view**

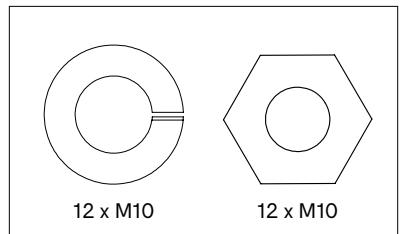
8.



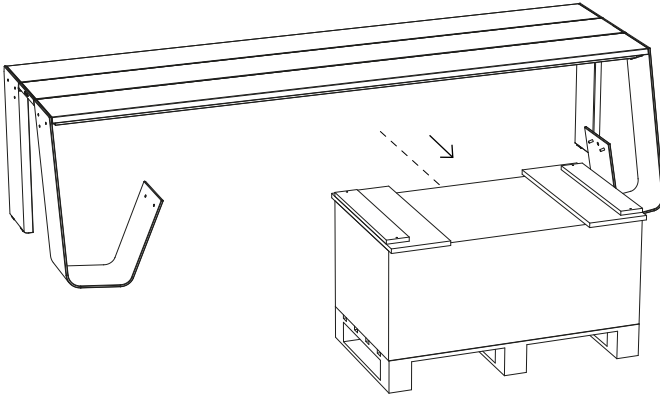
**Tighten carefully!**  
Excessive force may  
damage the coating!

  
**15 Nm  
MAX!**

**HOP571**



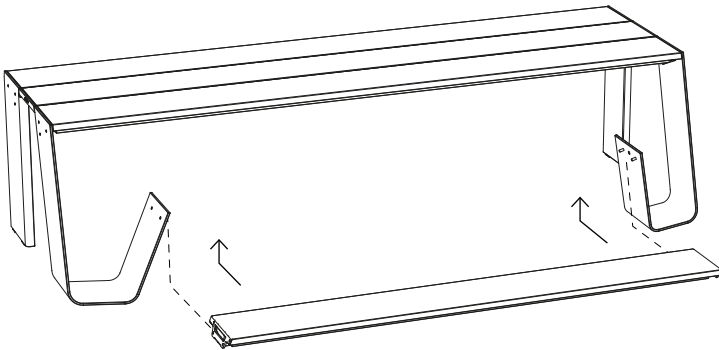
9.



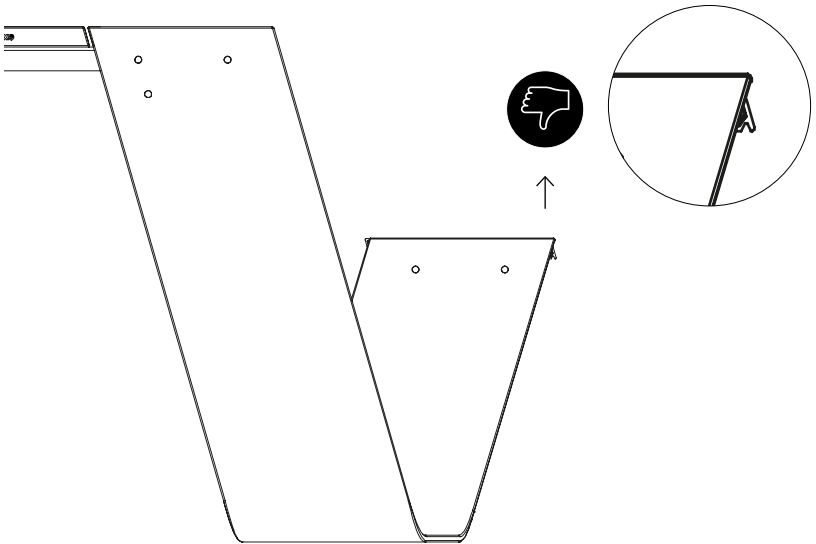
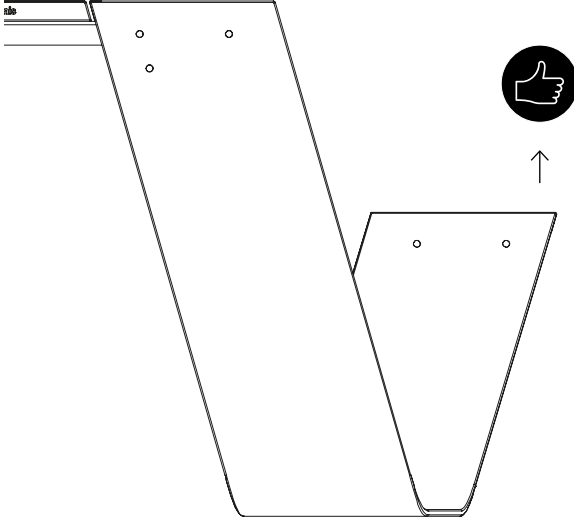
**Remove packaging before mounting the benches**

---

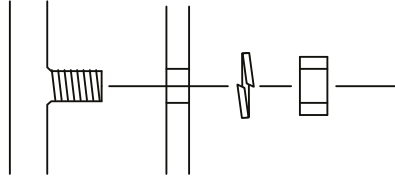
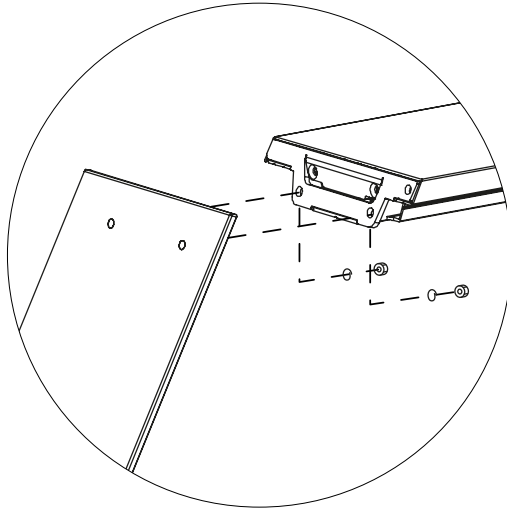
10a. Go to page 25 if you want to assemble a backrest ↗




10b.



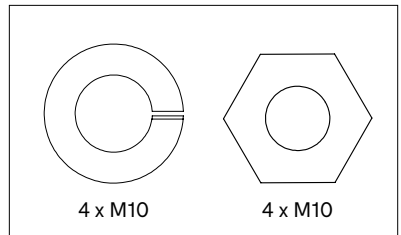
11.



**Tighten carefully!**  
Excessive force may  
damage the coating!

  
**15 Nm  
MAX!**

**HOP571**





# Backrest

1.

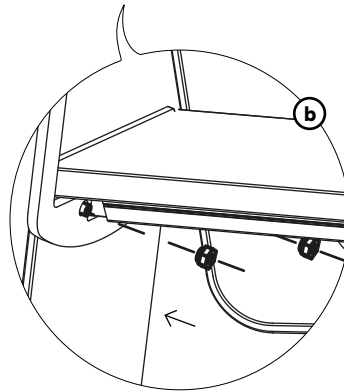
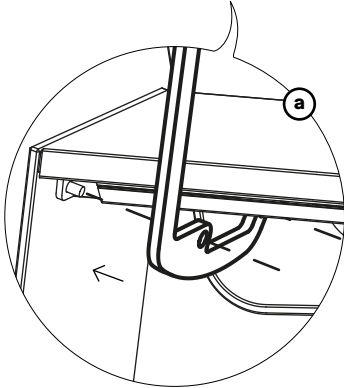
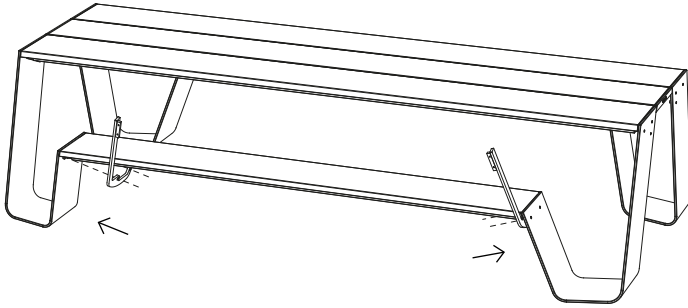
N° 17



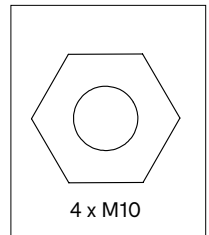
15'



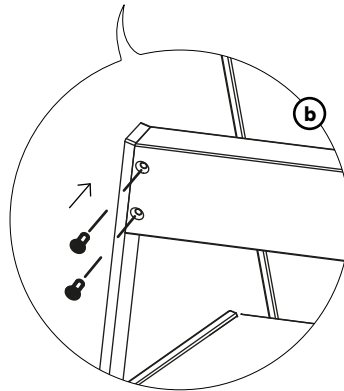
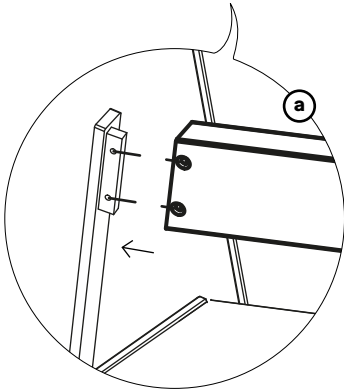
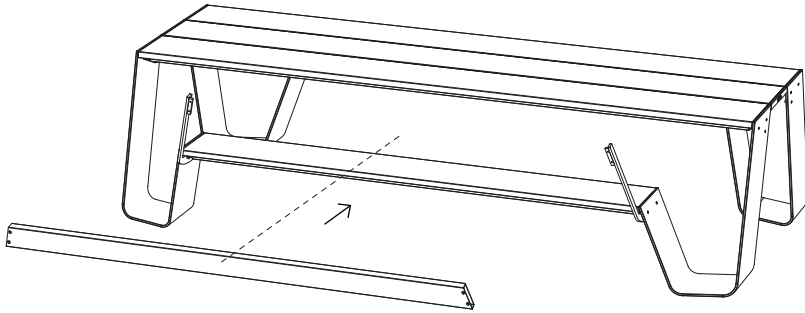
15'



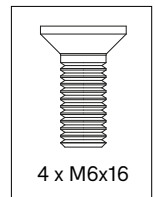
**Do this for both sides, do not tighten yet**



2.



**Do this for both sides, tighten all bolts**

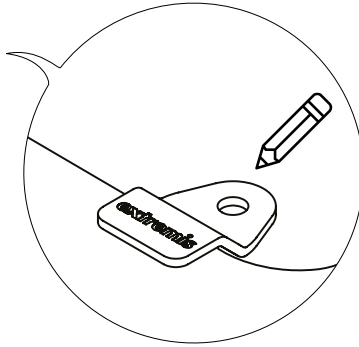


# Floor fastening set

1.

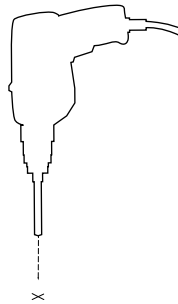


15'

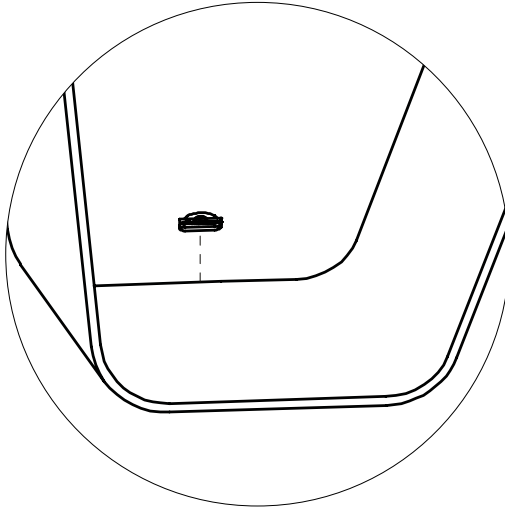


On the inside of the legs

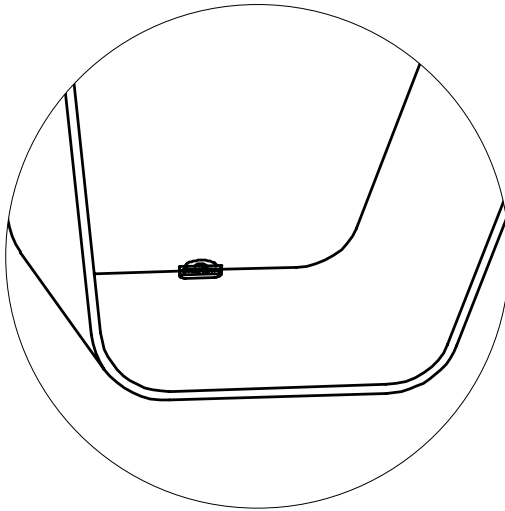
2.



3.



**On the inside of the table**



# **Warnings**

# **Text instructions**

# **Maintenance**

**Warnings** ↗

---

**Assembly text instructions** ↗

---

**Maintenance** ↗



# Warnings

## General

- Do not use any sharp tools to open the packaging.
- We strongly advise against using power tools.
- Tripping hazard, mind your step.
- Do not put out cigarettes on the table.
- Not graffiti proof.
- Do not leave children unattended whilst playing on the table.
- To avoid danger of suffocation, keep plastic bags away from babies and children.
- Colors can differ over years and from batch to batch.

## Product

- Do not drag the table, but carry it with minimum 2 people.
- Anchoring the product has to be done by qualified people.
- For anchoring: use suitable bolts or screws from a specialized store depending on the material your terrace is made of.
- The packaging material of the legs must stay intact, you need it to attach the legs to the tabletop.
- 180 cm: max. 4 people or 320 kg per bench - 240 cm: max. 5 people or 400 kg per bench - 300 cm: max. 6 people or 480 kg per bench - 360 cm: max. 7 people or 560 kg per bench
- Regularly clean the flat surface of the legs.

## Powder coating

- White powder coating requires more maintenance.
- Do not use abrasive scouring powders or scourers as they will scratch the surface.
- Color can fade to some extent when exposed to UV.
- Flame retarding - NEN-EN13501-1 A2-s1 - Satisfying the same criteria as Class B for the SBI-test according to EN13823. In addition,



- under conditions of a fully developed fire these products will not significantly contribute to the fire load and fire growth.
- Dark colors can get very hot in sunny weather.

## **Sunbrella**

- Not waterproof, store inside!
- Shake or brush off loose dirt immediately.
- UV color fastness: 7/8 (ISO 105-B02).



# Assembly text instructions



Take a look at the drawings, starting from page 9

## Hopper picnic AA (p9) - Hopper combo AA (p17)

1. Remove the lid of the box. The packaging material must stay intact for the rest of the assembly!
2. Remove the four screws from the two boards that prevent the table legs from moving during transport. Fold down the cardboard flaps to have better access to the legs. Take them out the box and position them as shown in the drawing (depending on the size of the table).
3. Put the lid back on the box.
4. Position the isomo & wooden boards on top of the box as shown in the drawing.
5. Put the tabletop with its frame facing downwards on top of the two boards. The top of the legs are now at the same height as the tabletop.
6. Fix the four endcaps as shown in the drawing
7. Position the legs to the tabletop.
8. Attach each leg with three M10 spring washers and M10 nuts, but do not tighten them yet.
9. Before assembling the benches, remove the packaging material from under the frame!
10. **a.** Go to page 25 if you want to assemble a backrest. Slide the bench over the screw-thread of the legs. TIP: To prevent lacquer damage, it is best to mount the bench from bottom to top.  
**b.** Make sure that the sloping sides of the benches match the sloping





sides of the legs, as shown in the drawing

11. Now mount the bench frame to the legs in the same manner, each with two M10 spring washers and M10 bolts.

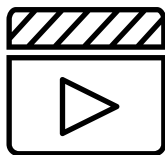
## **Backrest** (p25)

1. **a.** Position the left & right backrest supports on the bottom of the bench.  
**b.** Fix the backrest supports with two M10 nuts each as shown in the drawing, do this for both sides. Attention: do not tighten the nuts yet.
2. **a.** Position the backrest between the backrest supports. Tip: pull the backrest supports a little bit open to easily get it in between.  
**b.** Now attach the backrest to the supports with two M6x16 bolts each. Attention: now fix all the bolts and nuts.

## **Floor fastening set** (p27)

1. Position the floor fastening plates on the inside of the legs as shown on the drawing and mark the holes on the ground.
2. Remove the plates and drill holes in the marked locations.
3. Place the plates back and use the most appropriate fasteners for the surface on which the Hopper is to stand.





Watch the maintenance videos on our website:  
[www.extremis.com/maintenance](http://www.extremis.com/maintenance)

## **Powder coating**

### **CLEANING**

#### Regularly

Use Extremis Multicleaner, a 100% biodegradable detergent or common kitchen cleaning products. Avoid using aggressive products. These surfaces are best cleaned with a neutral cleaning product diluted in water.

### **REPAIRING DAMAGED POWDER COATING**

#### When damaged

The impact of sharp objects can damage the coating. Scratches or dents can be touched up with our paint pens. However this only camouflages the scratches without removing them.

## **Sunbrella**

### **SPILLED LIQUIDS**

#### Immediately after use

It is best to treat spilt liquids immediately by placing a sheet of absorbent kitchen paper on them. The water-resistant coating on the Sunbrella prevents droplets from penetrating the fabric.



## REGULAR CLEANING

### When dirty

Make a solution to remove stains on your Sunbrella.

## MACHINE WASHING

### Rarely

It is also possible to put the blankets and cushion covers in a washing machine (30°). Do not dry clean or tumble dry. The fabric can be creased. Ironing will help to recover the waterrepellent coating of the fabric, but only at a cool setting (delicates). As some irons exceed the recommended temperature at the synthetic setting, test a small, inconspicuous area before ironing the entire fabric. DO NOT use a steamer or iron set to the steam setting.

If the cushion has metal brackets, we recommend turning the cover inside out first to avoid damaging the washing machine. In this case, leave the zipper open about 10 cm.

## REMOVING STUBBORN STAINS

### Only if nothing else helps

More drastic measures needed? Bleach can be used if nothing else helps. Protect the area around your Sunbrella fabric when using a bleach solution – bleach may discolour non-Sunbrella fabrics. Please be aware of the environment when cleaning with bleach. Bleach can have harmful effects on the natural environment around you. We do not advise using bleach if you are surrounded by a body of water or another environment that could be affected. If stains and/or mildew marks are severe, the quantity of bleach may be increased.





Our headquarters:  
Couthoflaan 20b  
B-8972, Poperinge  
info@extremis.com  
+ 32 57 346020

**extremis.com**

Connect with us:



All rights reserved. Unless otherwise specified, all designs and photographs contained in this publication are copyright protected and are the property of Extremis. No part of this publication may be copied or distributed without Extremis' prior written consent. The names of the authors of photographs to which we do not hold rights are mentioned here. We have done our utmost to provide a comprehensive list of names. In the event of an alleged breach, please contact the editorial staff. © Extremis

LAB154-1