

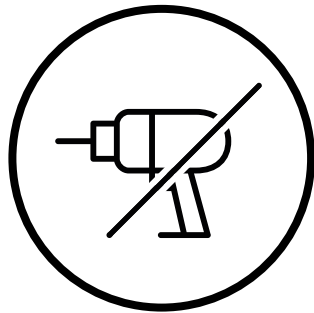
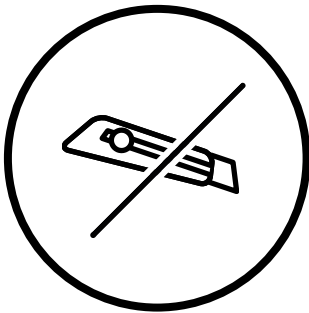
# Inumbra

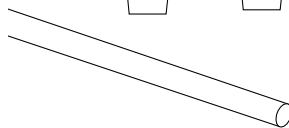
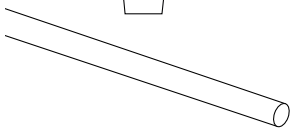
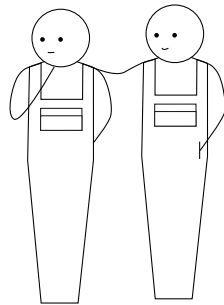
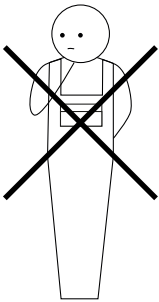
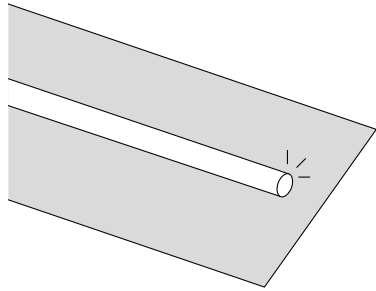
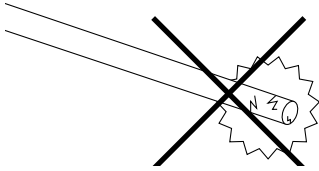


**extremis®**



**IMPORTANT! RETAIN FOR FUTURE  
REFERENCE: READ CAREFULLY.**





# Table of contents <sup>1/2</sup>

**Mounting kit <sup>↗</sup>**

---

**Assembly with Gargantua <sup>↗</sup>**

---

**Assembly with Pantagruel <sup>↗</sup>**

---

**Assembly concrete base <sup>↗</sup>**

**This is an interactive PDF**

You can easily navigate through this manual, allowing you to smoothly jump from one page to the other.

# **Table of contents** <sup>2/2</sup>

**Assembly concrete wheel base** <sup>↗</sup>

---

**Assembly floor fastening** <sup>↗</sup>

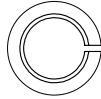
---

**Open/Close** <sup>↗</sup>

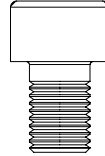
---

**Warnings - Text instructions -  
Maintenance** <sup>↗</sup>

# Mounting kit



4 x M8

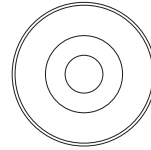


4 x M8x12

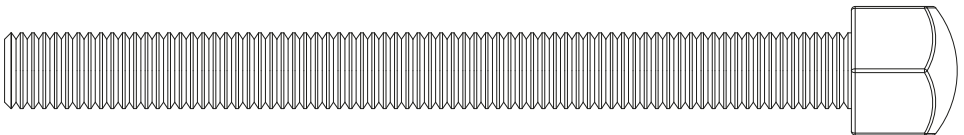
Mounting kit **INU183** to fix the **connection piece** to the Gargantua/Pantagruel

4 x screw M5x40

4 x plug



4 x foot



4 x M10x115

Mounting kit **INU180** to fix the **concrete base**



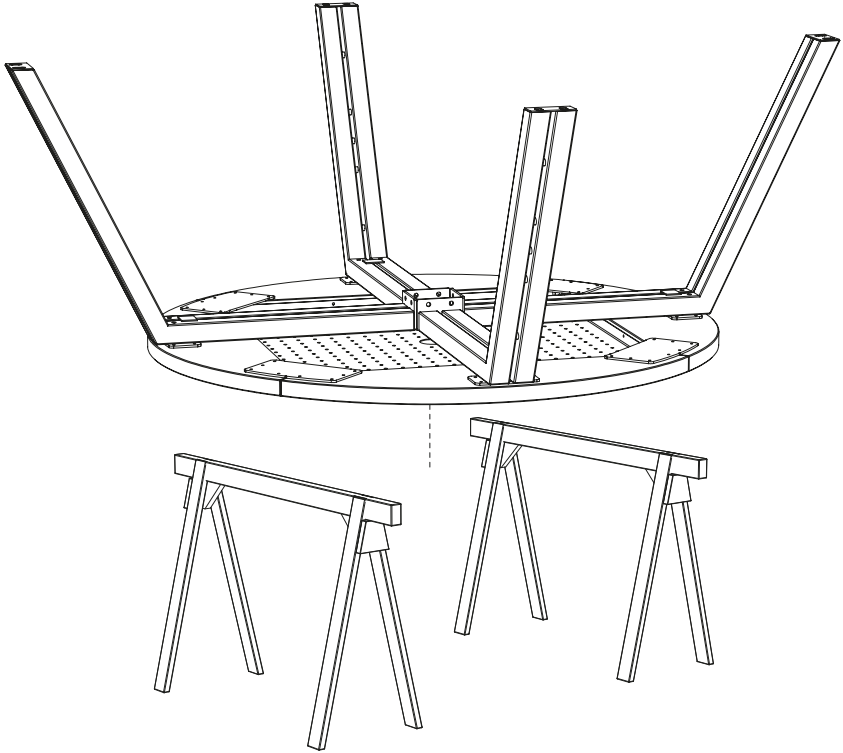
# With Gargantua

1.

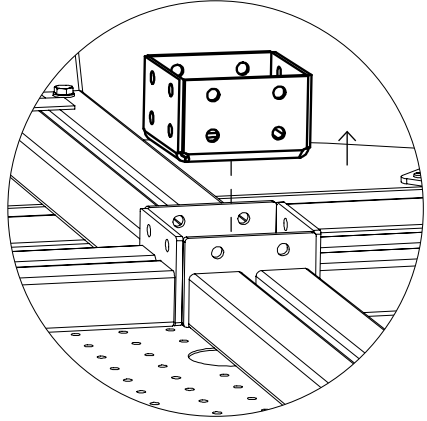
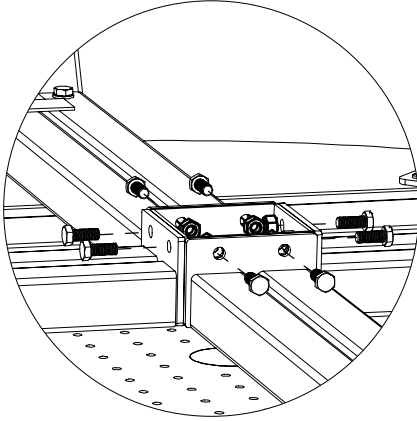
N° 5



20'

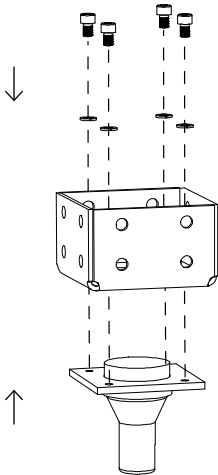


2.

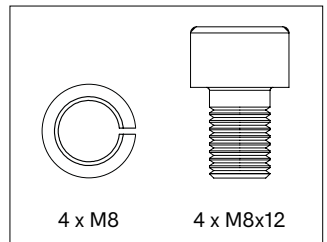


First remove the central cube if already mounted

3.

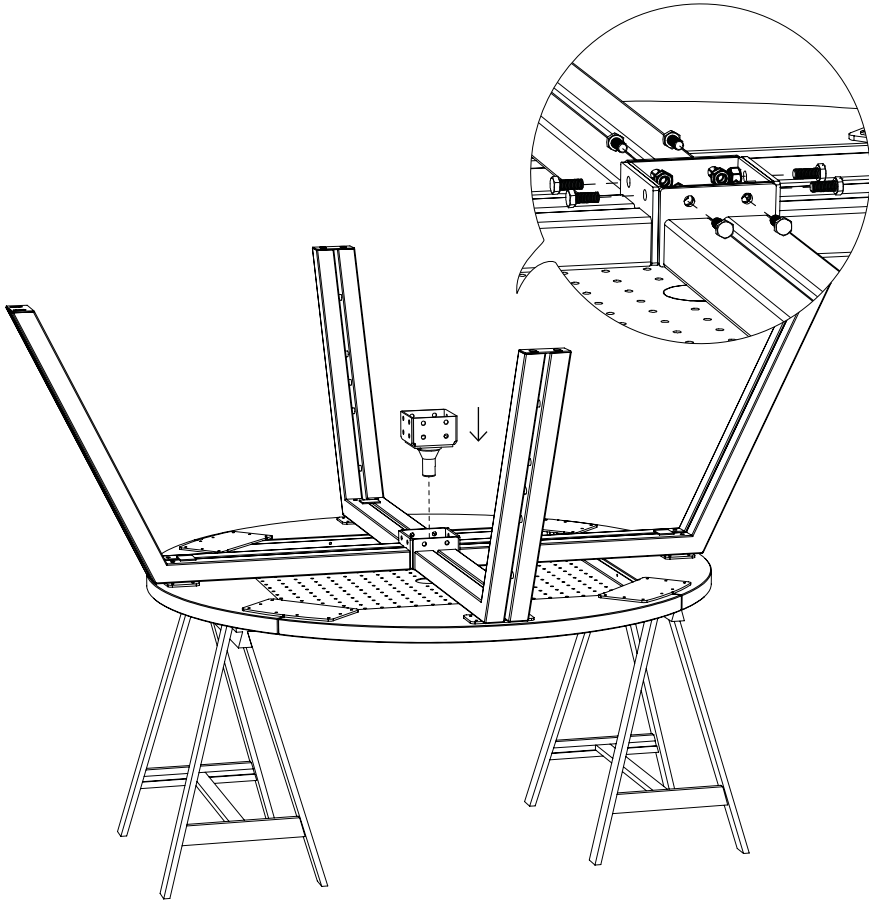


**INU183**

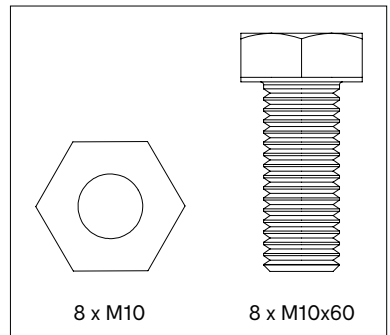




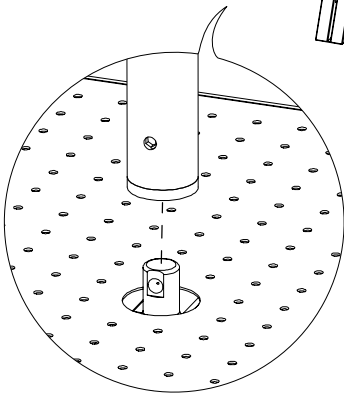
4.



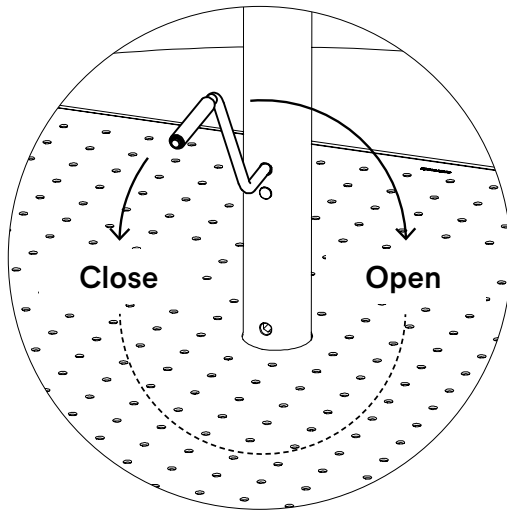
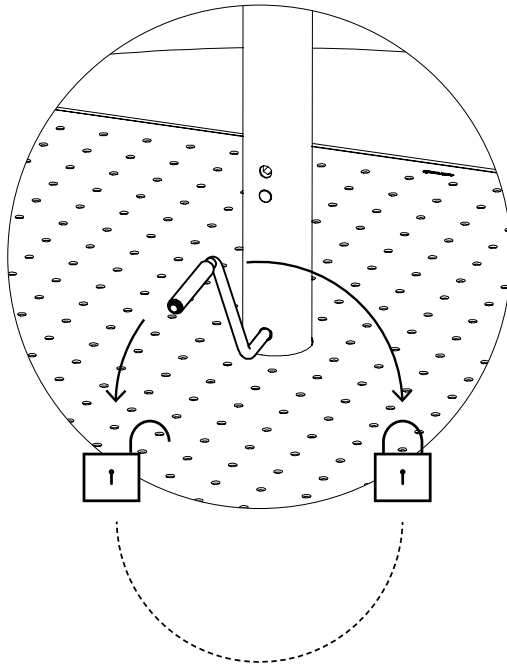
**GAR025**



5.



**Attention!**  
The parasol should always be fully opened or completely closed!



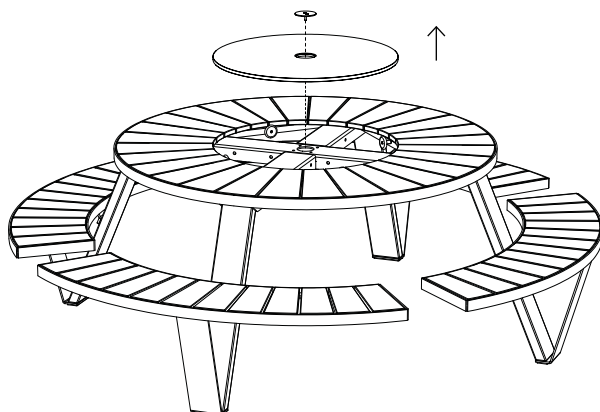
# With Pantagruel

1.

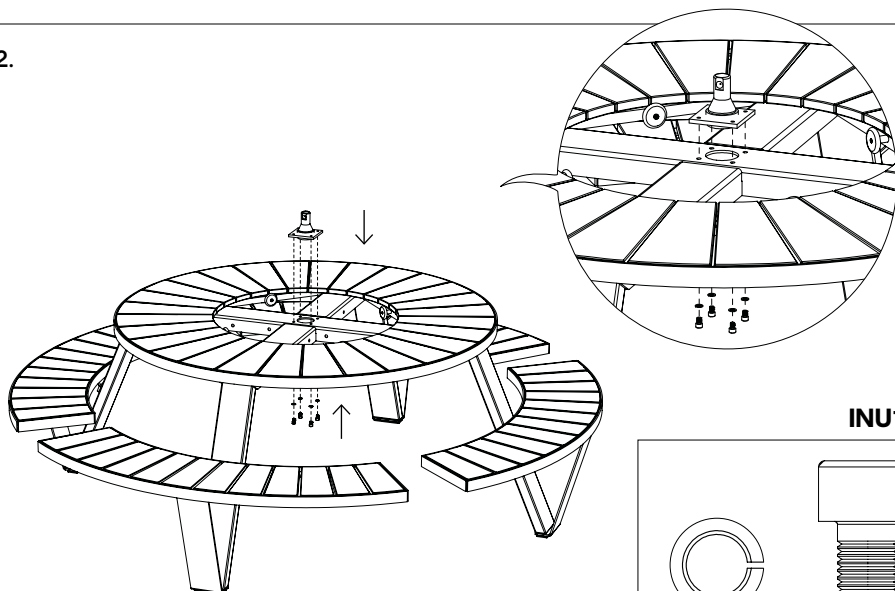
N° 5



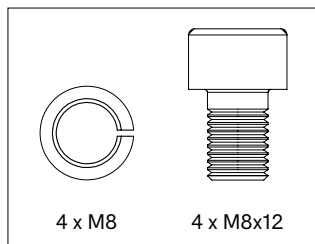
20'



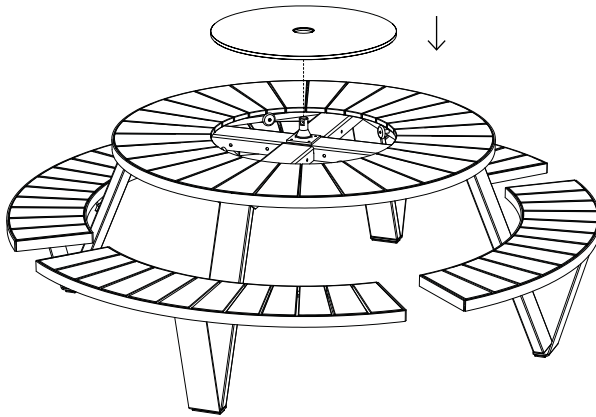
2.



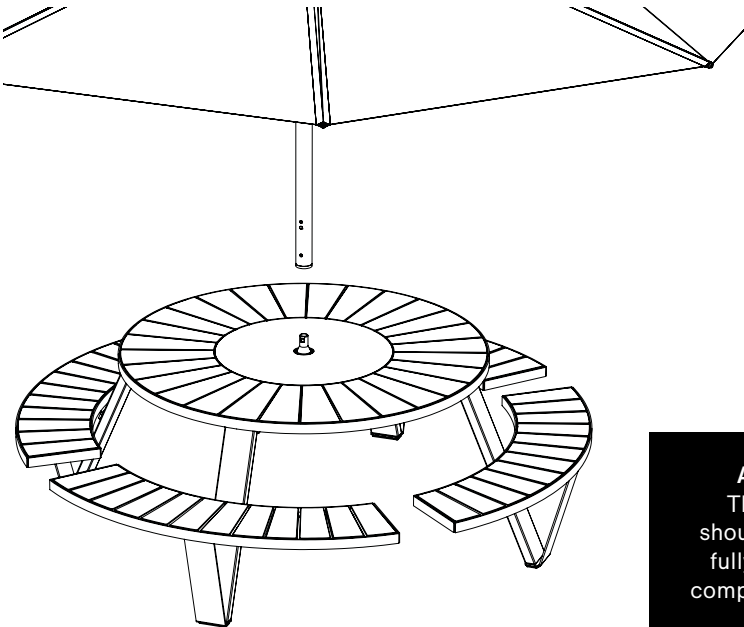
**INU183**



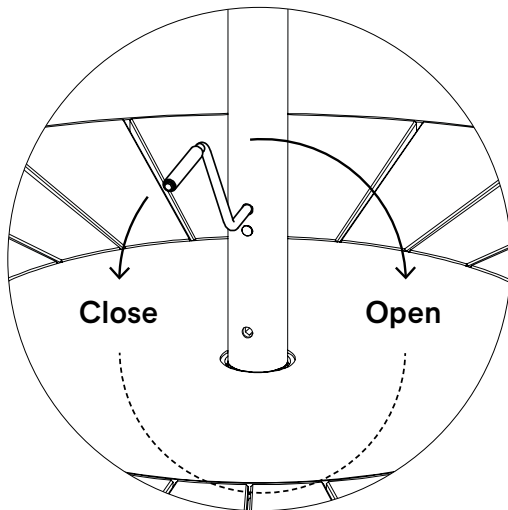
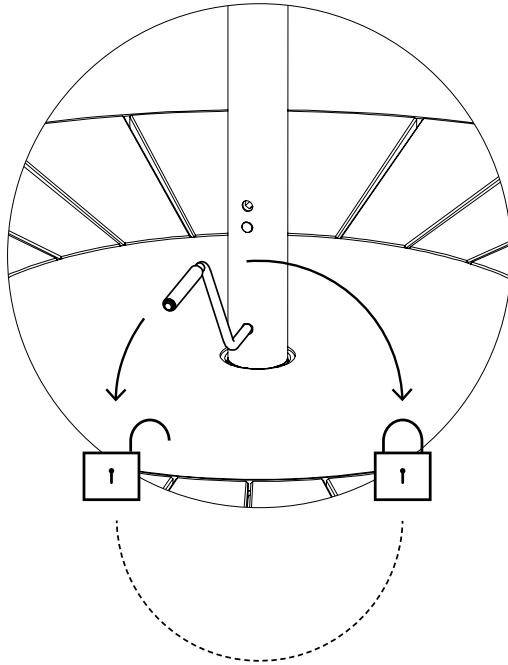
3.



4.



**Attention!**  
The parasol should always be fully opened or completely closed!



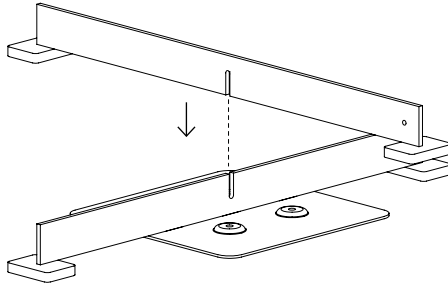
# Concrete base

1.

N° 17

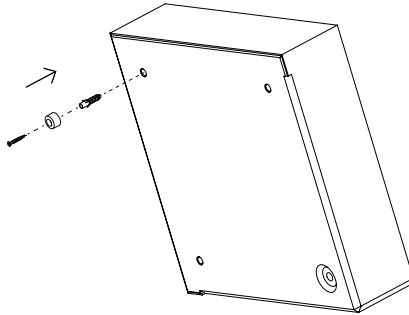


20'



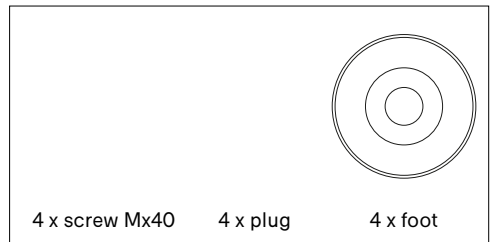
Place on level and solid ground

2.

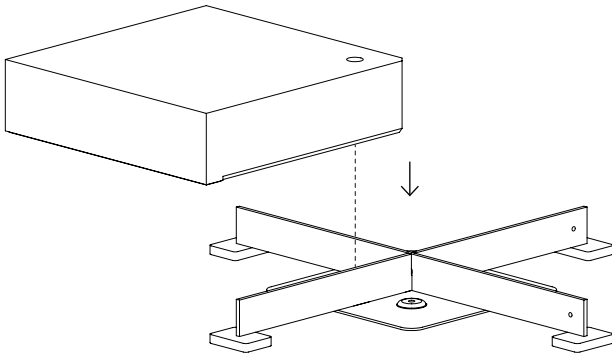


Repeat this for all  
concrete blocks

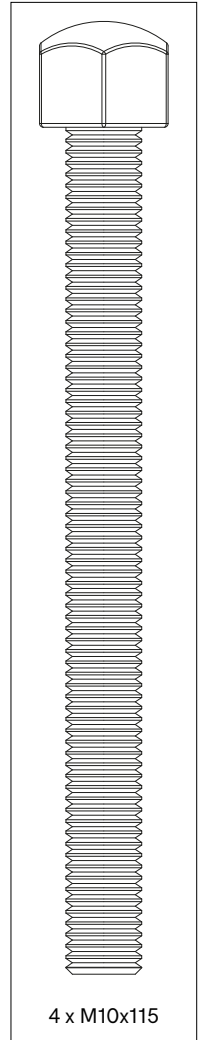
**INU180**



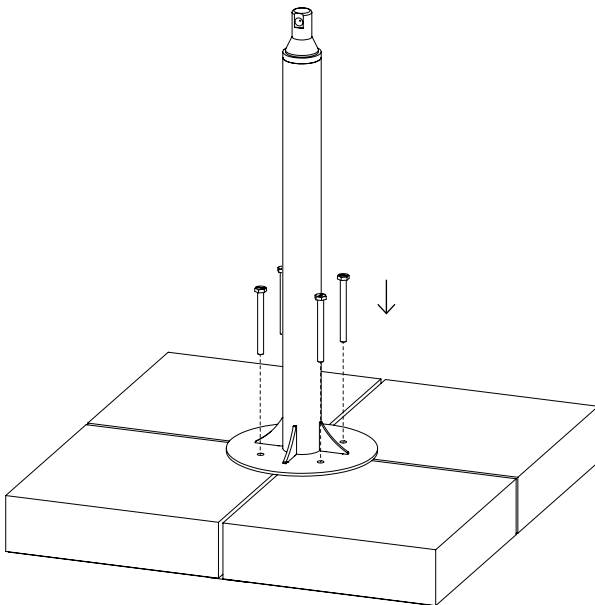
3.



**INU180**



4.



4 x M10x115

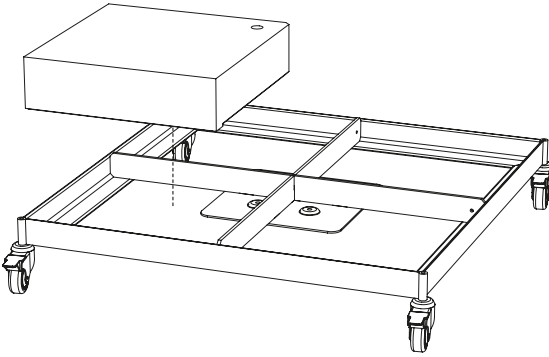




**Attention!**  
The parasol  
should always be  
fully opened or  
completely closed!

# Concrete wheel base

1.



N° 5

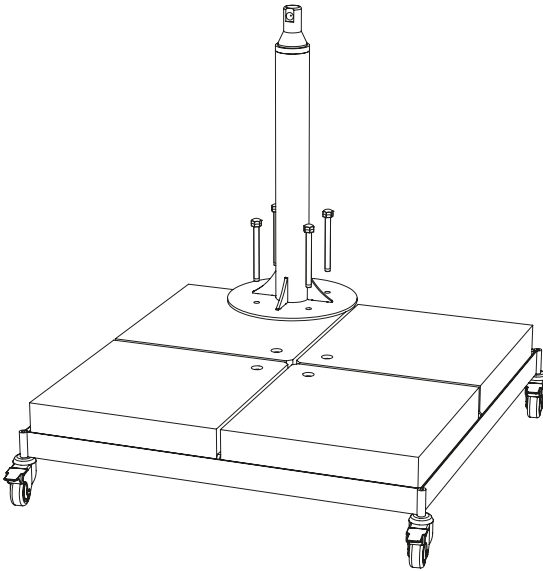


20'

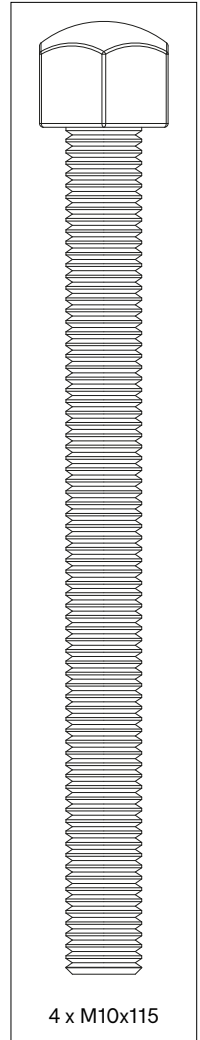


Place on level and solid ground

2.



INU182



4 x M10x115



3.



**Attention!**  
The parasol  
should always be  
fully opened or  
completely closed!

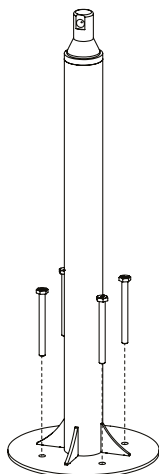
# Floor fastening

1.

N° 5



20'



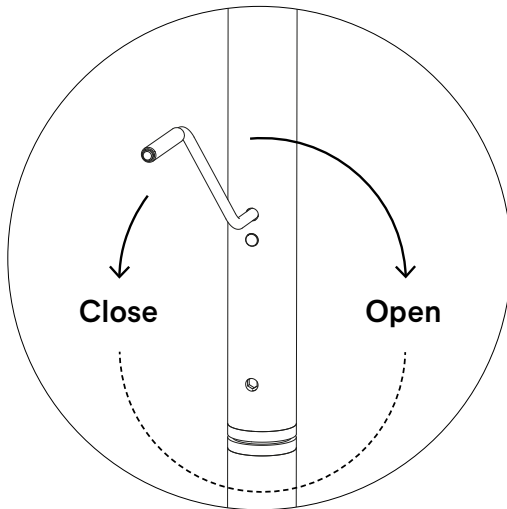
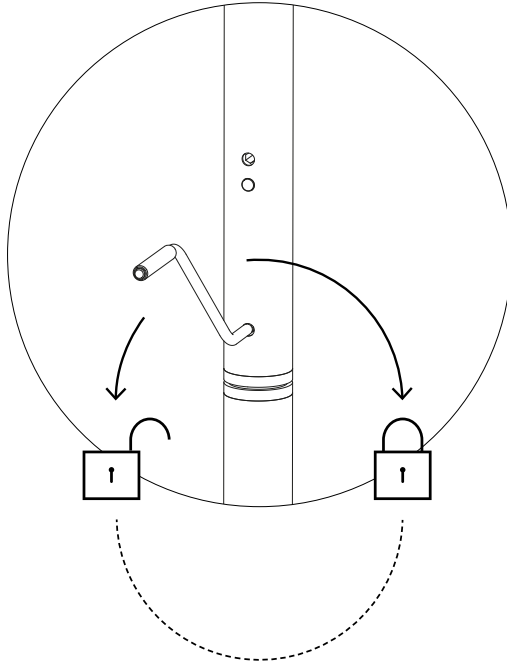
**Place on level and solid ground**

2.



**Attention!**  
The parasol  
should always be  
fully opened or  
completely closed!

# Open/Close



# **Warnings**

# **Text instructions**

# **Maintenance**

**Warnings** ↗

---

**Assembly text instructions** ↗

---

**Maintenance** ↗



# Warnings

## General

- Do not use any sharp tools to open the packaging.
- We strongly advise against using power tools.
- Tripping hazard, mind your step.
- Do not put out cigarettes on the table.
- Not graffiti proof.
- Do not leave children unattended whilst playing on the table.
- To avoid danger of suffocation, keep plastic bags away from babies and children.
- Colors can differ over years and from batch to batch.

## Product

- Do not leave the parasol unattended when opened.
- Anchoring the product has to be done by qualified people.
- For anchoring: use suitable bolts or screws from a specialized store depending on the material your terrace is made of.
- There is a 5mm gap between the parasol tube and the tube installed on the concrete base in order to ensure a proper fixation. As a result, the parasol will not be able to loosen by movement.
- If you hear the cables whistling due to heavy wind or if you are not using the parasol, close it and use the cover to avoid the parasol from opening or getting dirty.
- For ventilation purposes, the cover is not 100% waterproof.
- Ask for assistance when closing the parasol in strong winds. Opposite the wind's direction, at least one person needs to guide the parasol's spines downwards in order to avoid the parasol from blowing open fiercely halfway down.
- Store the parasol when not used for a long time as follows: vertically, completely dry and in a dry environment.
- Do not leave closed if not completely dry. Do not leave the parasol





closed for a long time when the parasol fabric is still damp or wet.

- The fabric can be removed for washing but we do not advise this. In the first place, you should close the parasol when you do not use it and protect it with its cover. This protects the parasol from getting dirty.
- Tests in a wind tunnel have shown that the parasol withstands wind speeds up to 8 on the Beaufort scale (when anchored to the floor). Still, it is best to close it sooner (from wind speed 6 is the rule of thumb).

## High-tech polyester

- Shake or brush off loose dirt immediately.
- Do not use any aggressive detergents as they will remove the protective coating of the fabric.
- We strongly advise you not to use a high-pressure hose for cleaning.

## Stainless steel

- Very good UV color fastness.
- Flame retarding: NEN-EN13501-1 A1 - Class A1 products will not contribute to fire in any stage, including fully developed fire. For this reason, they are assumed to be capable of satisfying all requirements of all lower classes as well.
- Watch out, stainless steel isn't entirely rustproof! Be sure to avoid contact with iron objects. If it does show signs of rust, clean with rust remover as quickly as possible.

## Concrete

- Matt and porous.
- Very good UV color fastness.
- Flame retarding: NEN-EN13501-1 A1 - Class A1 products will not contribute to fire in any stage, including fully developed fire. For this reason, they are assumed to be capable of satisfying all requirements of all lower classes as well.





# Assembly text instructions



Take a look at the drawings, starting from page 7

## With Gargantua (p7)

1. Before you attach the central cube to the four legs, place the tabletop with legs upside down on trestles.
2. First remove the central cube if already mounted.
3. Fit the Inumbra connection piece on the top of the central cube and attach it using four flat washers M8 and bolts M8x12 as shown on the drawing.
4. Then position it on the legs so that the connection piece protrudes slightly on the top of the tabletop. Attach with eight bolts M10x25 and nuts M10.
5. Place the Inumbra on the connection piece and fasten it by inserting the handle provided into the lowest hole of the tube and tightening it. Now open the parasol by inserting the handle into the highest hole in the tube and turning it. The parasol should always be fully opened or completely closed.

## With Pantagrue (p12)

1. Remove the Lazy Susan and the little disk.
2. Put the Inumbra connection piece in the middle of the tabletop. Make sure that its conical part is facing upwards. Fasten the insert to the table, putting the bolts through the bottom of the table.
3. Put the Lazy Susan back.



4. Place the Inumbra on the connection piece and fasten it by inserting the handle provided into the lowest hole of the tube and tightening it. Now open the parasol by inserting the handle into the highest hole in the tube and turning it. The parasol should always be fully opened or completely closed.

## **Concrete base** (p15)

1. Position the first element of the cross-shaped base on the floor where you wish to place the parasol. Then slide the second element over the first one ensuring that the grooves correspond and fit perfectly.
2. Fix the plastic glides to the bottom of the concrete tiles, put the supplied plugs into the holes and tighten the glides with the supplied screws.
3. Put the four concrete tiles on top of the cross-shaped base. Align the holes in the concrete tiles with the holes in the metal plate of the cross-shaped base. The side with the bevelled corners should be facing downwards.
4. Position the stainless steel tube on top of the concrete tiles. Make sure that the holes in the stainless steel disk are perfectly aligned with the holes in the concrete tiles. Position the flat section of the conical part of the stainless steel tube where you wish your handle to be. You can now attach the stainless steel tube to the concrete tiles using the four supplied bolts. Tighten them with a 17 mm openend wrench.
5. You can now put the parasol on the stainless steel tube. Make sure that the adjusting screw in the parasol pole coincides with the flat section of the conical part of the stainless steel tube. If this is not the case, you will not be able to fully slide the parasol pole over the conical part. When the conical part is completely hidden by the parasol pole, it should be impossible to turn the parasol. If this is however still possible, carefully rotate the parasol until its pole completely covers the conical part.



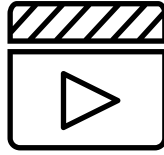
## **Concrete wheel base** (p18)

1. Put the four concrete tiles on top of the frame with wheels. Align the holes in the concrete tiles with the holes in the metal plate of the cross-shaped base. The side with the bevelled corners should be facing downwards.
2. Position the stainless steel tube on top of the concrete tiles. Make sure that the holes in the stainless steel disk are perfectly aligned with the holes in the concrete tiles. Position the flat section of the conical part of the stainless steel tube where you wish your handle to be. You can now attach the stainless steel tube to the concrete tiles using the four supplied bolts. Tighten them with a 17 mm openend wrench.
3. You can now put the parasol on the stainless steel tube. Make sure that the adjusting screw in the parasol pole coincides with the flat section of the conical part of the stainless steel tube. If this is not the case, you will not be able to fully slide the parasol pole over the conical part. When the conical part is completely hidden by the parasol pole, it should be impossible to turn the parasol. If this is however still possible, carefully rotate the parasol until its pole completely covers the conical part.

## **Floor fastening** (p20)

1. Place the stainless steel tube where you want to place the parasol and attach it to the floor using anchoring bolts (or another type of fixing medium suitable for your kind of floor).
2. You can now put the parasol on the stainless steel tube. Make sure that the adjusting screw in the parasol pole coincides with the flat section of the conical part of the stainless steel tube. If this is not the case, you will not be able to fully slide the parasol pole over the conical part. When the conical part is completely hidden by the parasol pole, it should be impossible to turn the parasol. If this is however still possible, carefully rotate the parasol until its pole completely covers the conical part.





Watch the maintenance videos on our website:

[www.extremis.com/maintenance](http://www.extremis.com/maintenance)

## High-tech polyester

### CLEANING

#### When dirty

Clean the fabric of the parasol and the cover by rinsing it with water and hand soap or Extremis multi cleaner if necessary.

## Stainless steel

### DAY TO DAY CLEANING

#### Regularly and after every use

Clean with lukewarm water and a mild detergent or Extremis Multi Cleaner.

### REGULAR CLEANING

#### When dirty

We advise regular cleaning with Inox Cleaner and Protector.





Our headquarters:  
Couthoflaan 20b  
B-8972, Poperinge  
info@extremis.com  
+ 32 57 346020

**extremis.com**

Connect with us



All rights reserved. Unless otherwise specified, all designs and photographs contained in this publication are copyright protected and are the property of Extremis. No part of this publication may be copied or distributed without Extremis' prior written consent. The names of the authors of photographs to which we do not hold rights are mentioned here. We have done our utmost to provide a comprehensive list of names. In the event of an alleged breach, please contact the editorial staff. © Extremis

LAB016