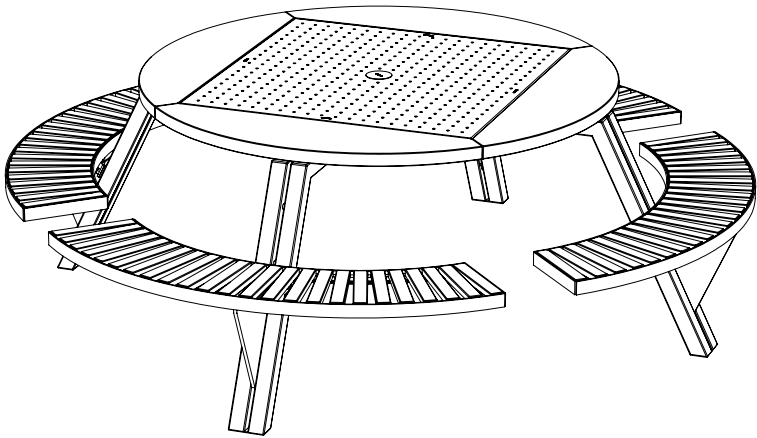


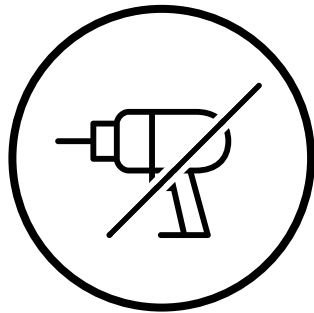
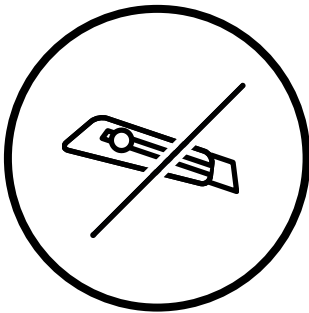
Gargantua



extremis®



**IMPORTANT! RETAIN FOR FUTURE
REFERENCE: READ CAREFULLY.**



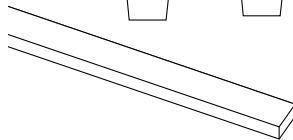
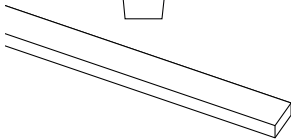
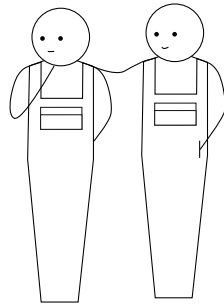
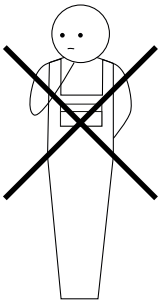
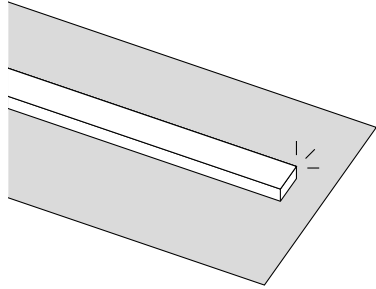


Table of contents ^{1/2}

Mounting kit [↗]

Exploded view [↗]

Assembly Gargantua [↗]

Assembly backrest [↗]

This is an interactive PDF

You can easily navigate through this manual, allowing you to smoothly jump from one page to the other.

Table of contents ^{2/2}

Assembly floor fastening [↗]

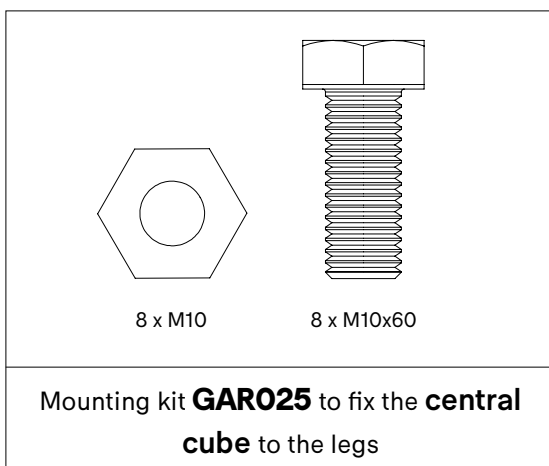
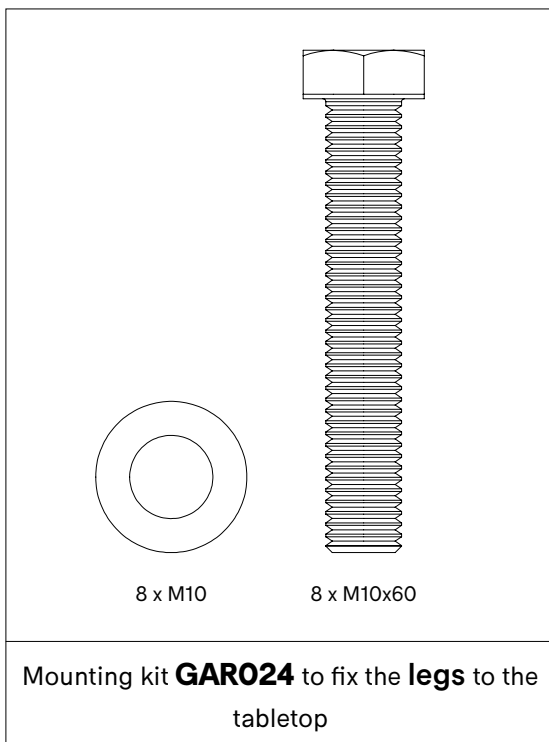
Assembly bench fastening [↗]

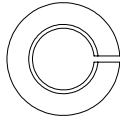
Assembly with Inumbra [↗]

Assembly with Inumbrina [↗]

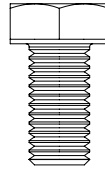
**Warnings - Text instructions -
Maintenance** [↗]

Mounting kit



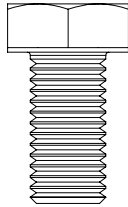


16 x M8

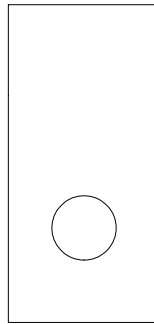


16 x M8x16

Mounting kit **GAR026** to fix the **bench supports** to the benches



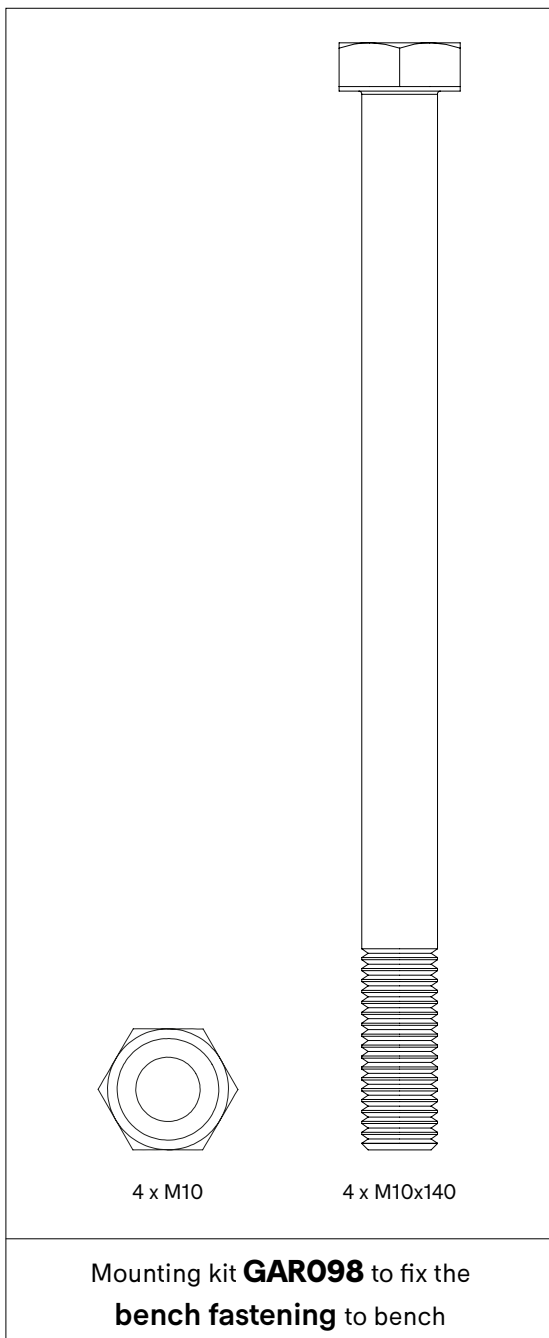
4 x M10x20



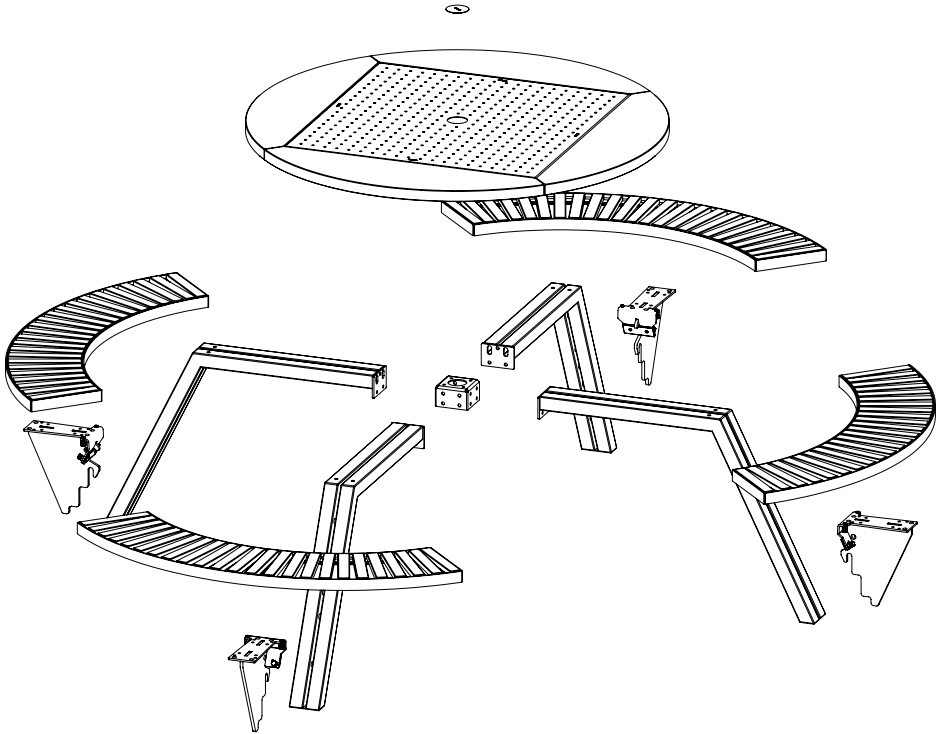
4 x Bracket

Mounting kit **GAR075** to fix **backrest** to bench





Exploded view



Gargantua

1.

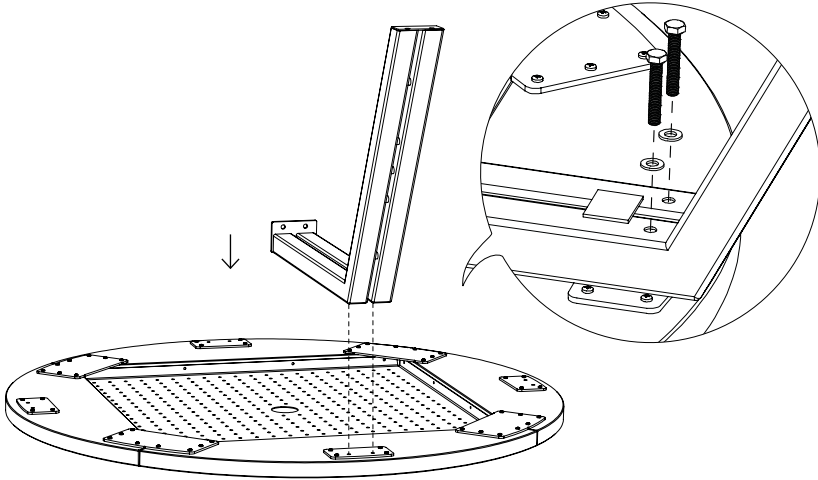
N° 13/17



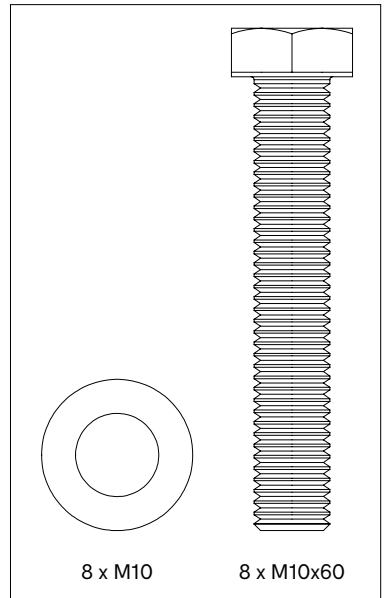
N° 17



45'



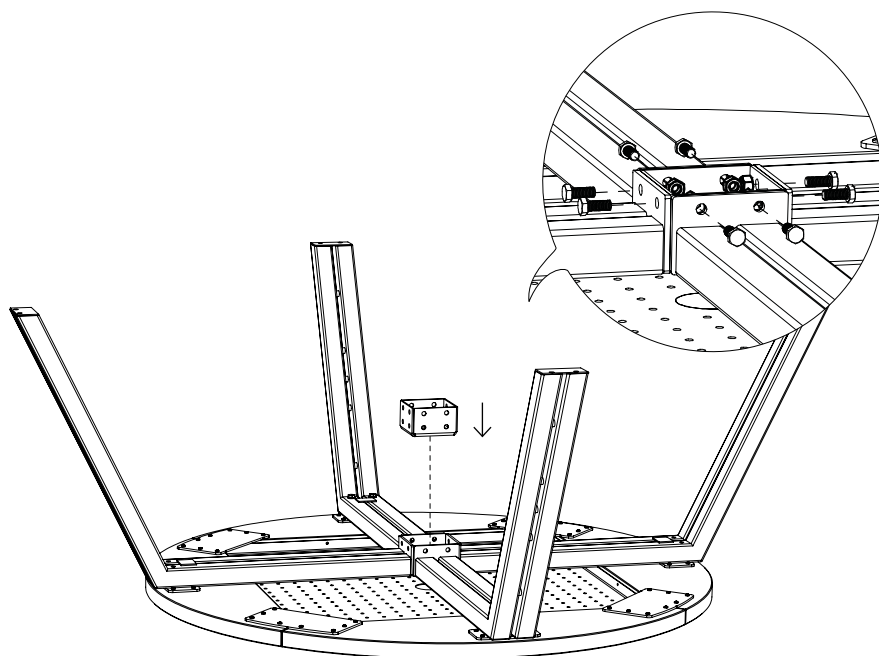
GAR024



Do not tighten yet!

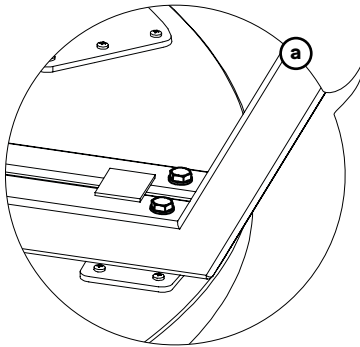
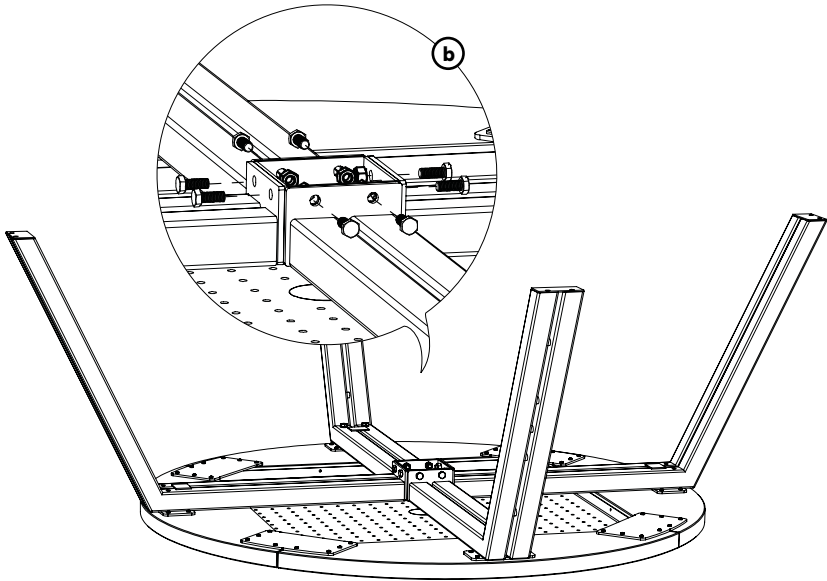
2. Go to page 25 if you want to fit the Inumbra parasol 7

Go to page 30 if you want to fit the Inumbrina parasol 7

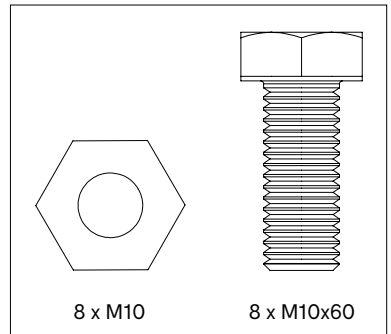


Do not tighten yet!

3.

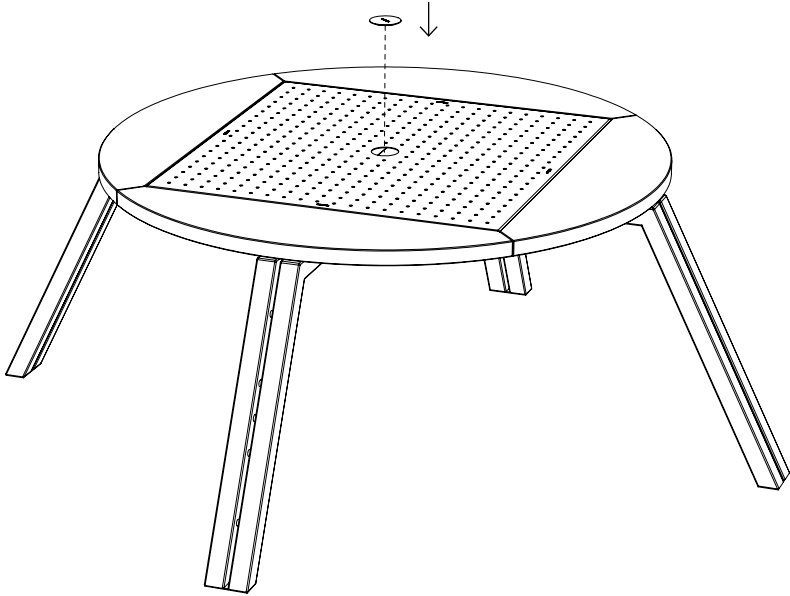


GAR025

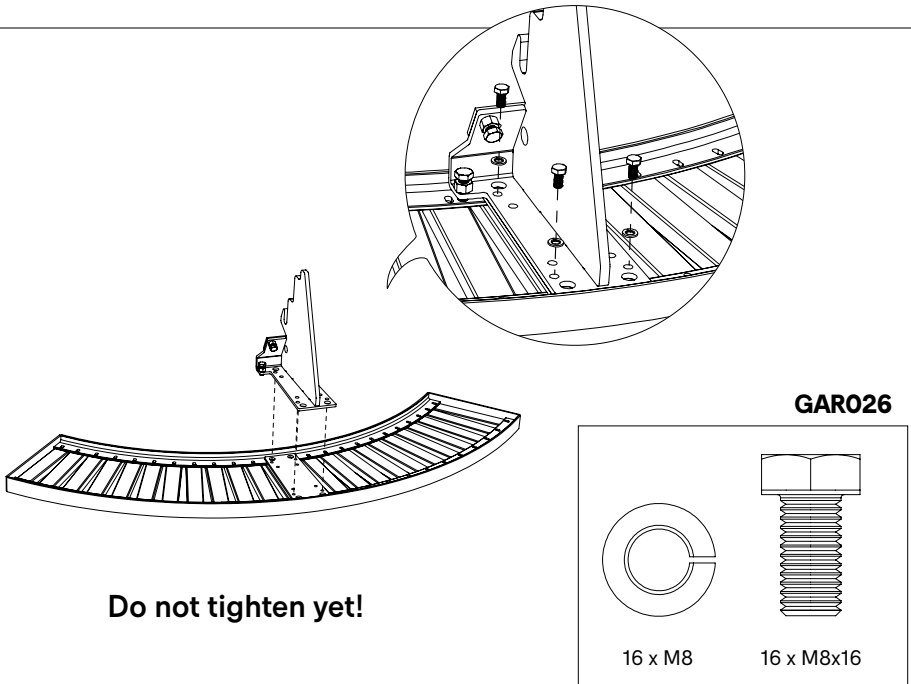


Tighten all bolts, also from step 1

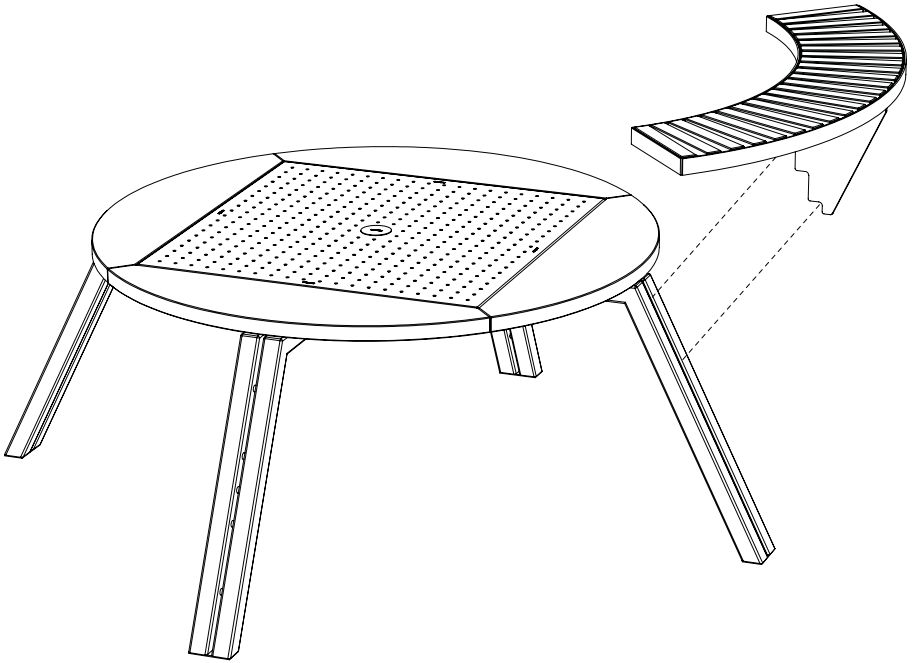
4.



5.

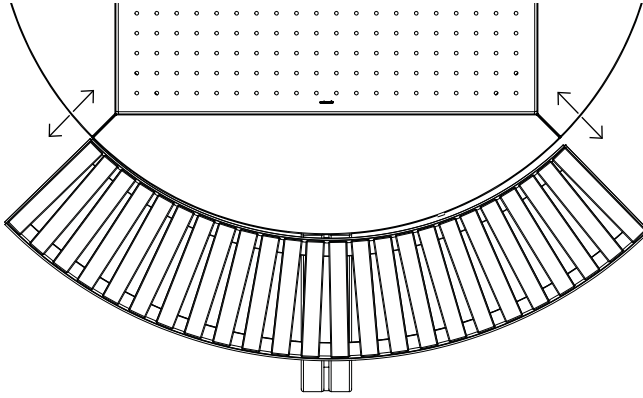


6.



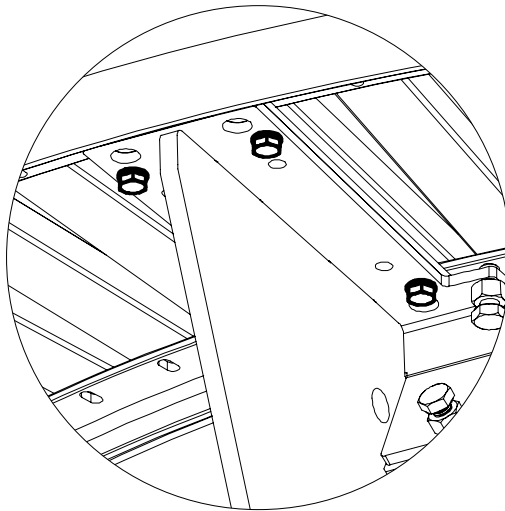
**Hook the benches in the highest position
(Tabletop height)**

7.



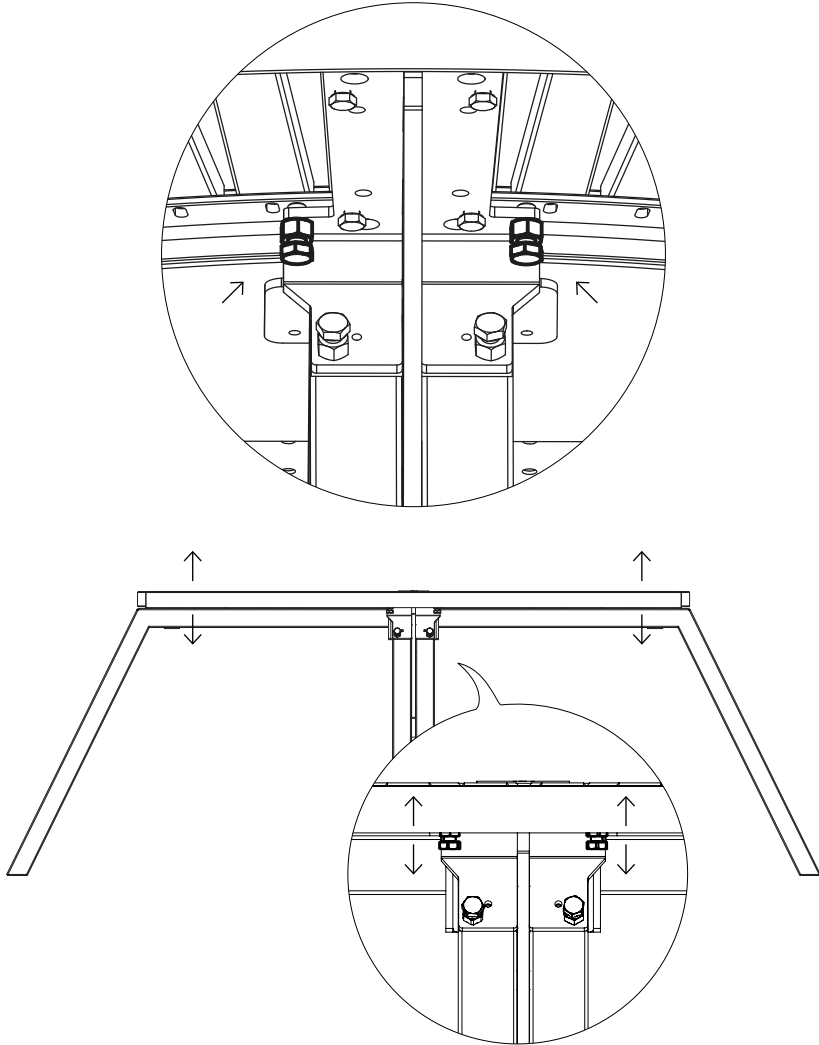
Make sure that the distance of the bench to the tabletop is the same everywhere

8.



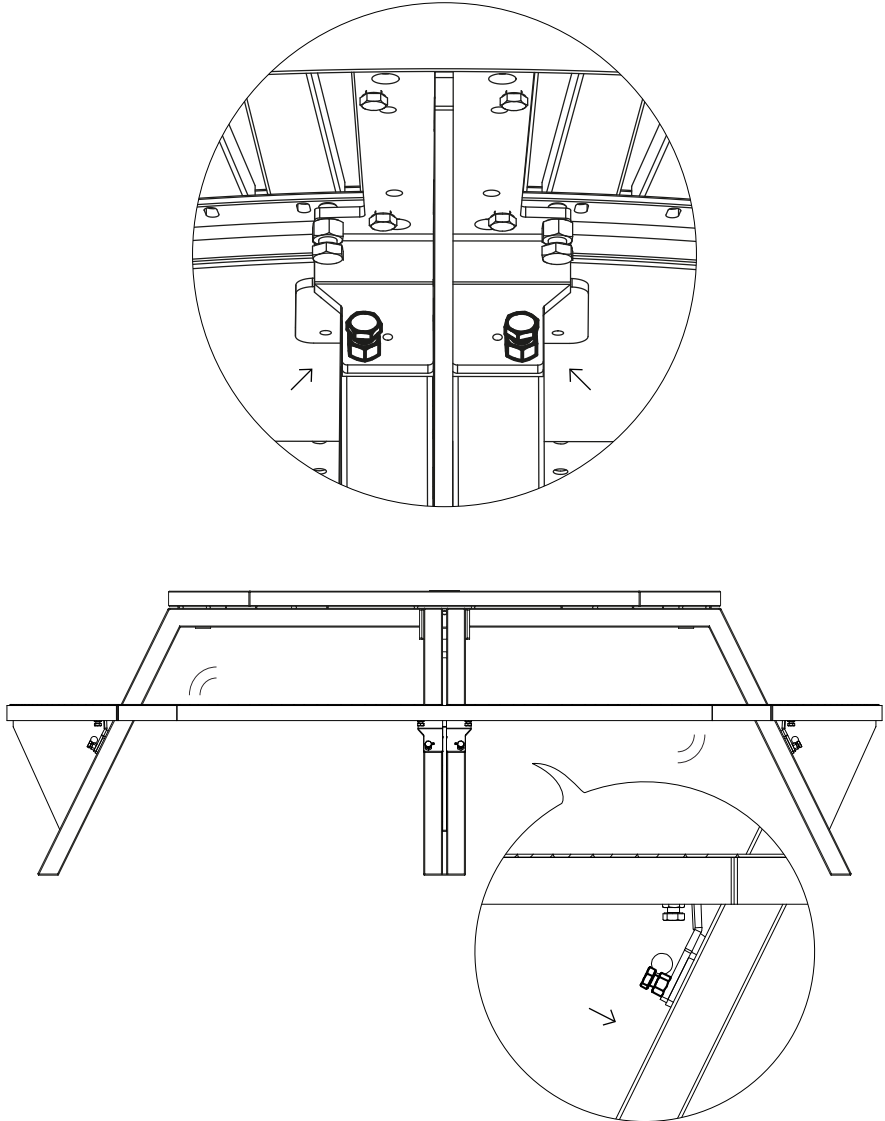
Now tighten all bolts from step 5

9.



**Check that the benches are the same height as the tabletop.
If they are too high, loosen the vertical bolt on this side
of the bench. If they are too low, tighten the bolt until the
bench is the same height as the tabletop**

10.



If there is too much movement in the bench, you can adjust this by tightening the 2 horizontal bolts. After you have done this, secure the bolts by tightening the nuts

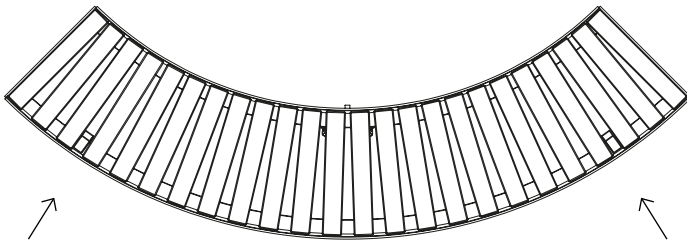
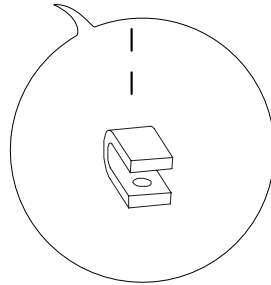
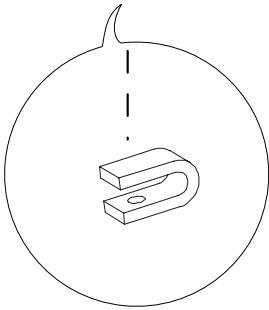
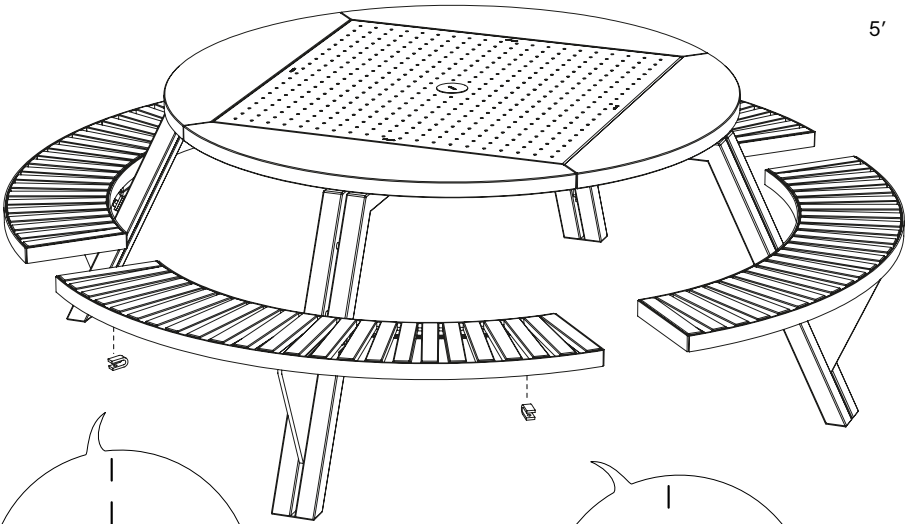
Backrest

1.

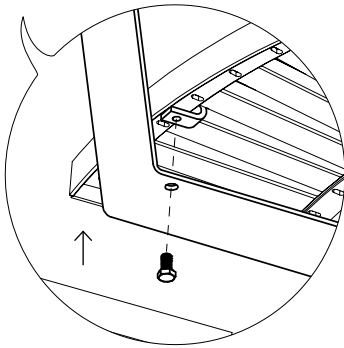
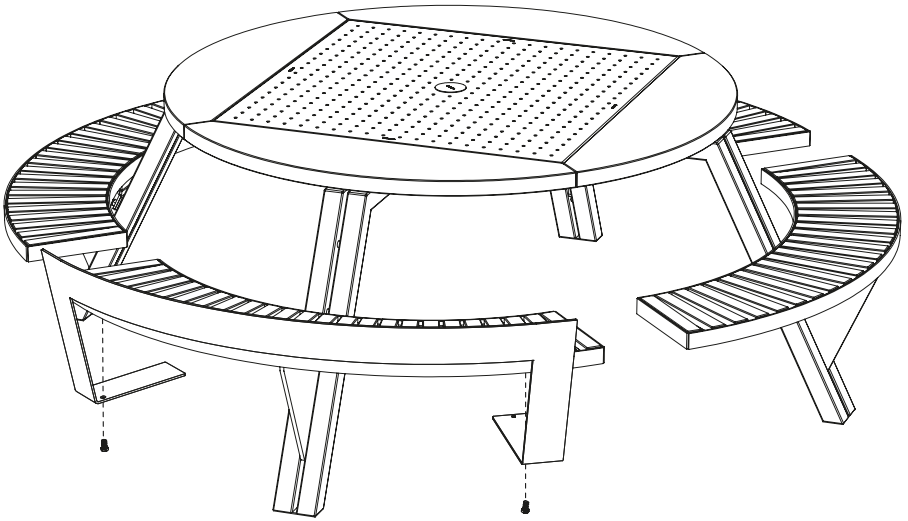
N° 17



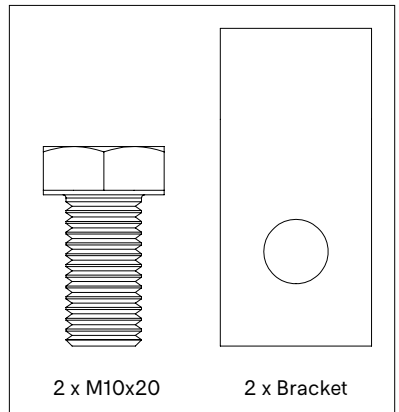
5'



2.



GAR075



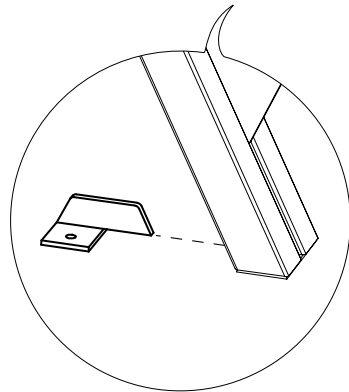
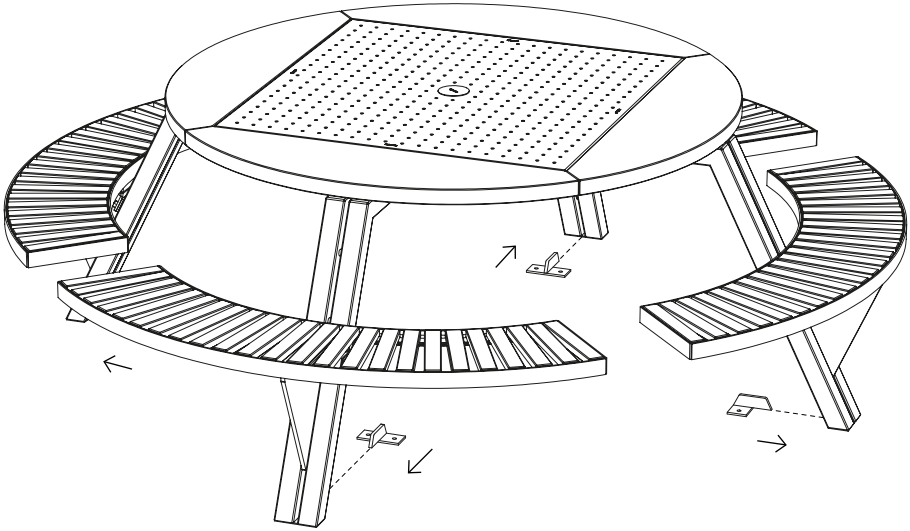
Floor fastening

1.

N° 13

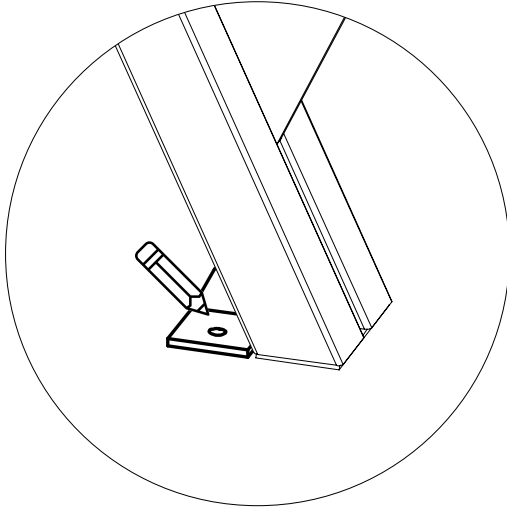


15'

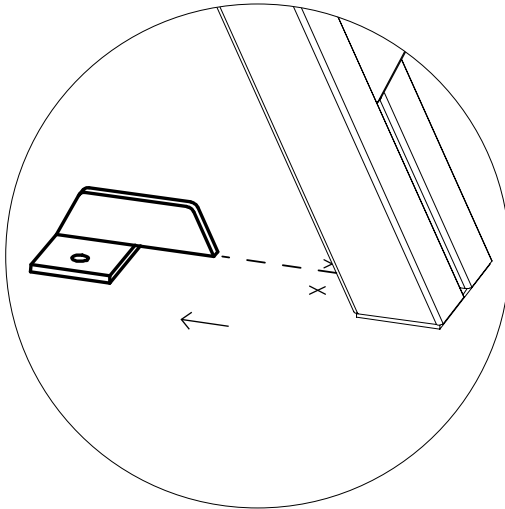


On the inside of the legs

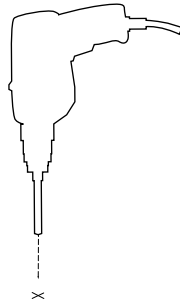
2.



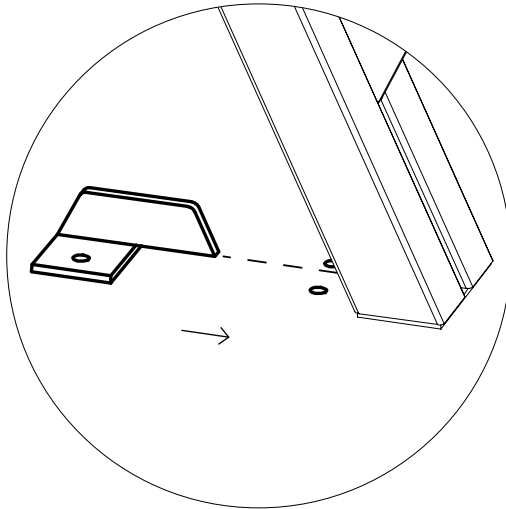
3.



4.



5.



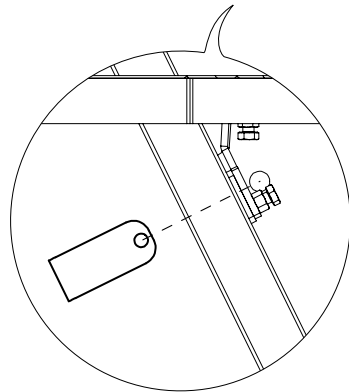
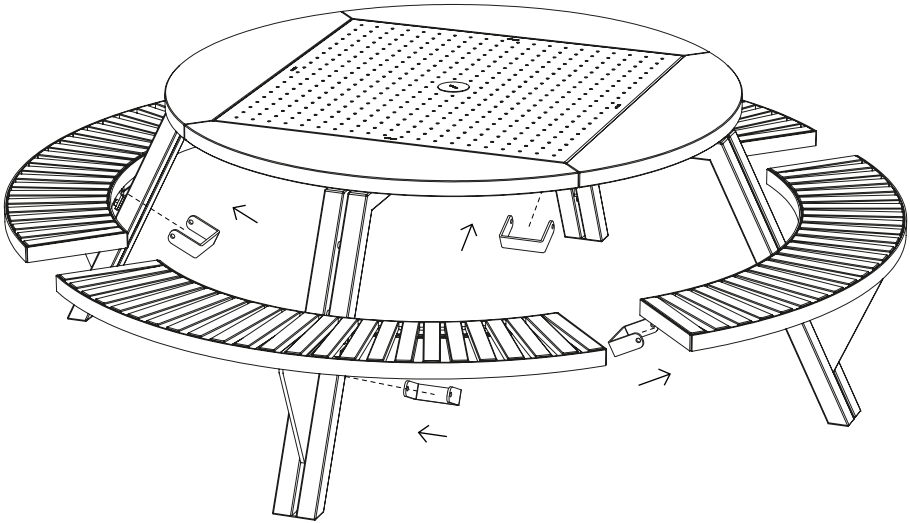
Bench fastening

1.

N° 13



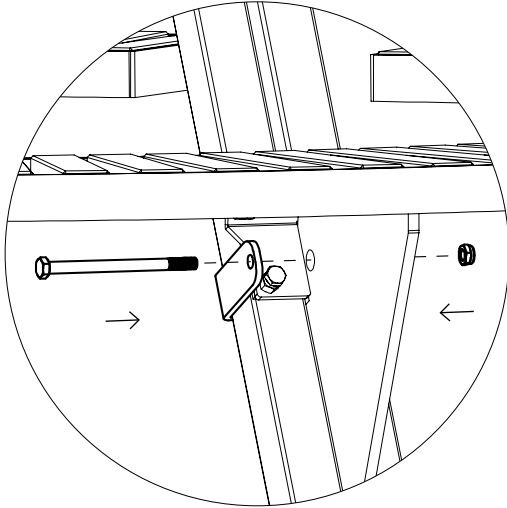
15'



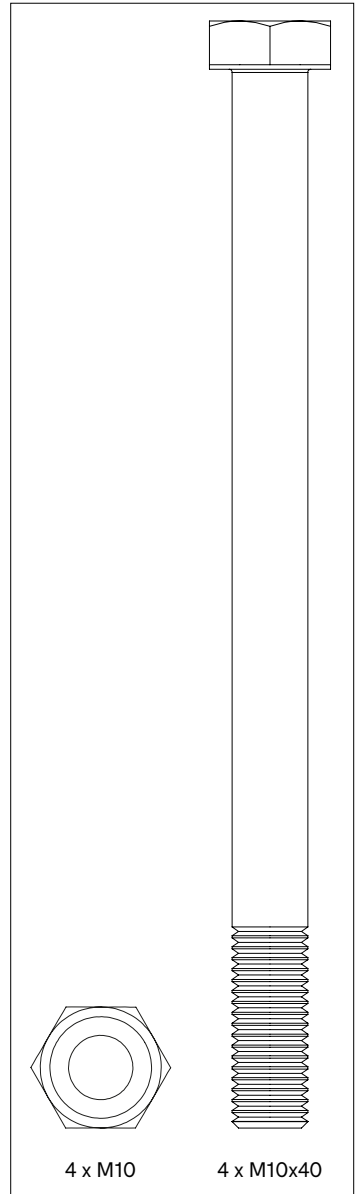
On the inside of the legs



2.



GAR098



4 x M10

4 x M10x40

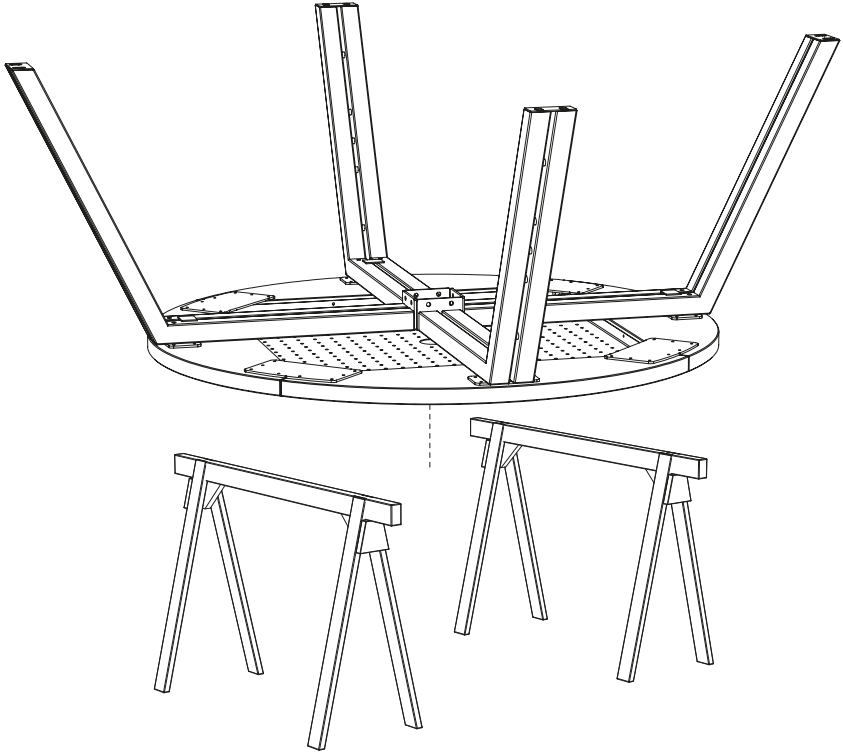
With Inumbra

1.

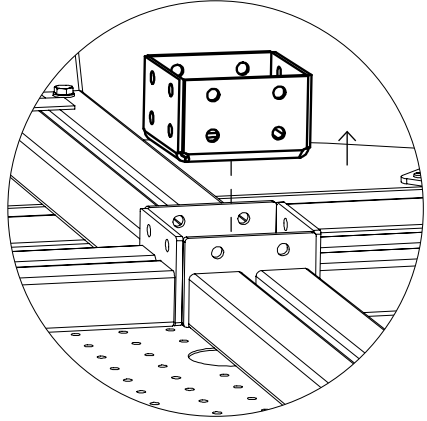
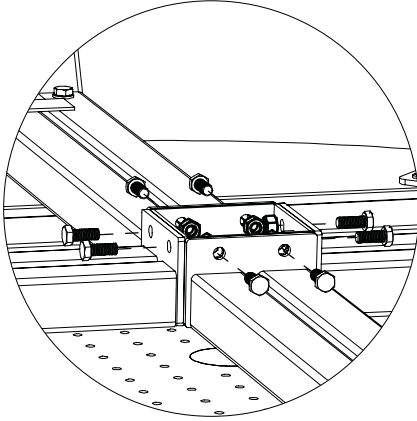
N° 5



20'

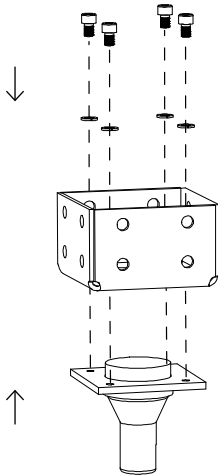


2.

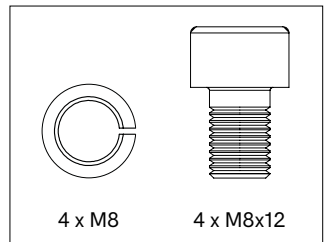


First remove the central cube if already mounted

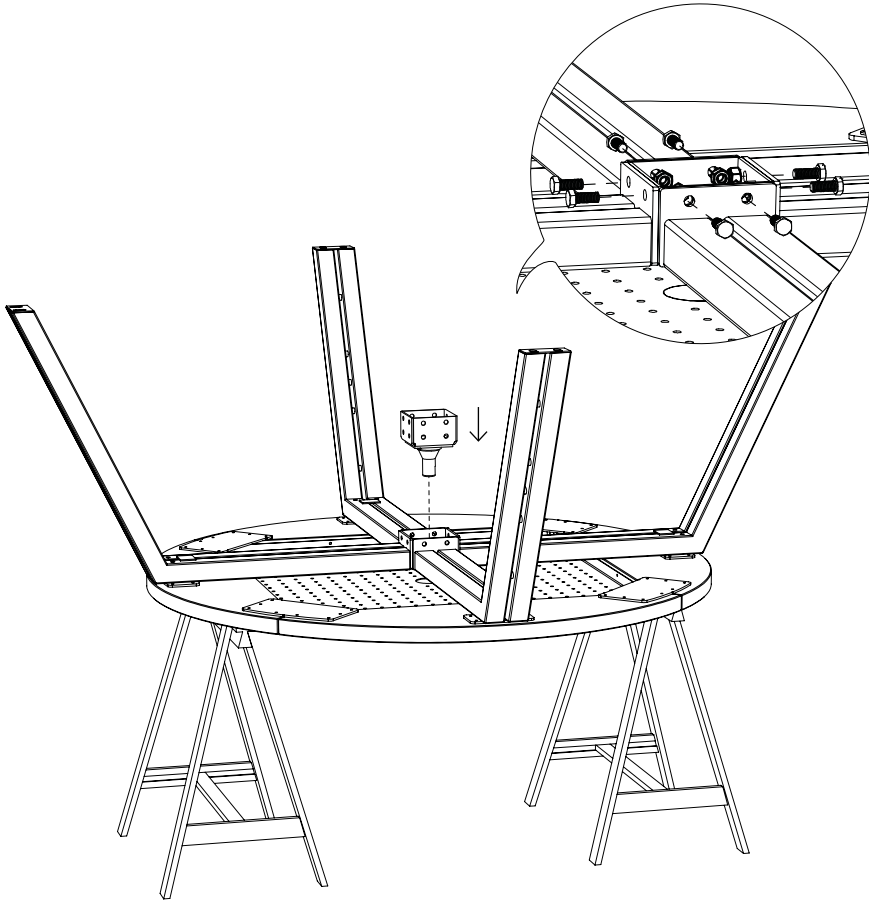
3.



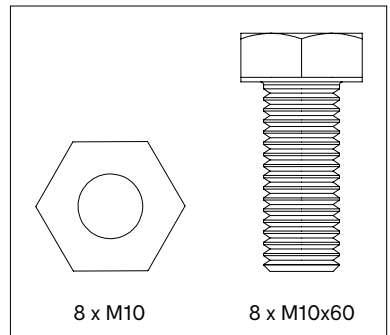
INU183



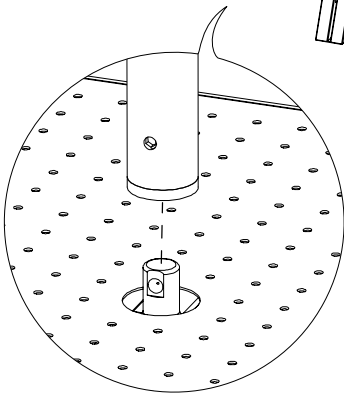
4.



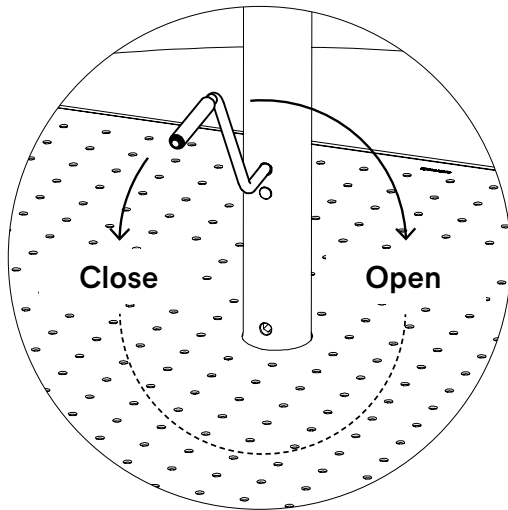
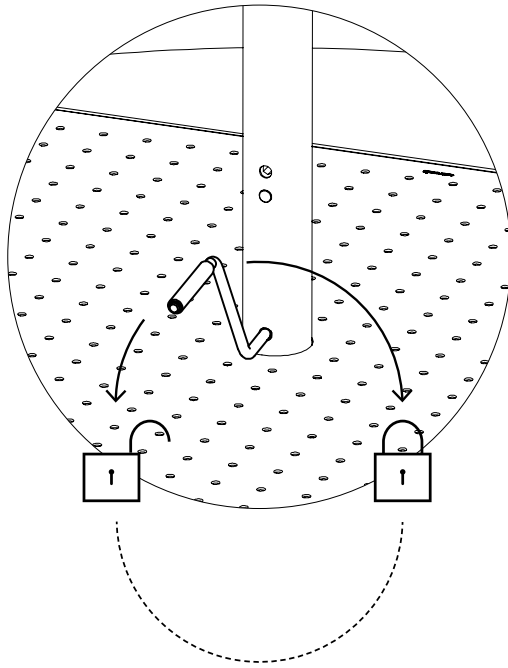
GAR025



5.



Attention!
The parasol should always be fully opened or completely closed!



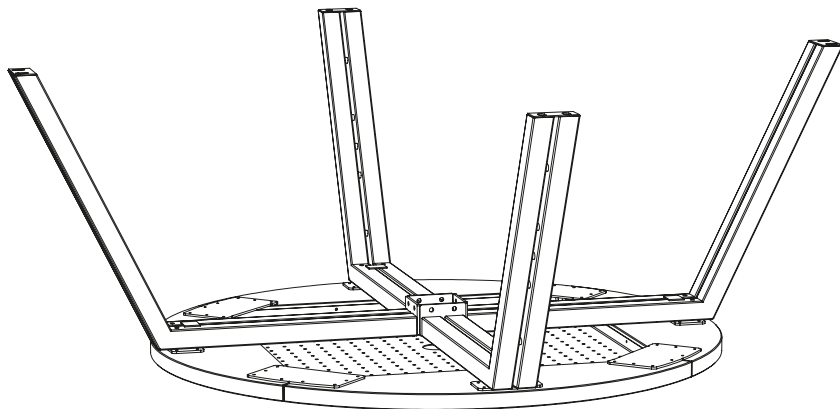
With Inumbrina

1.

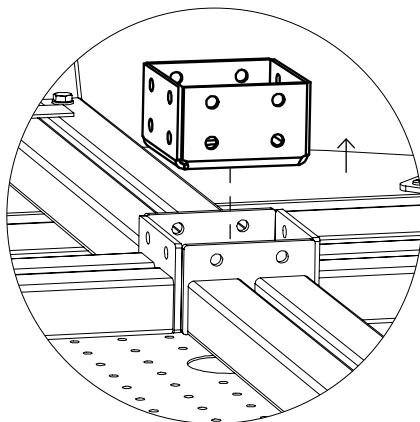
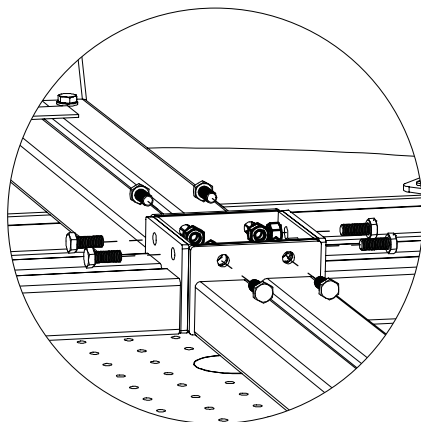
N° 5



20'

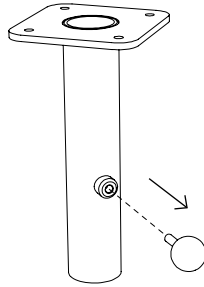


2.

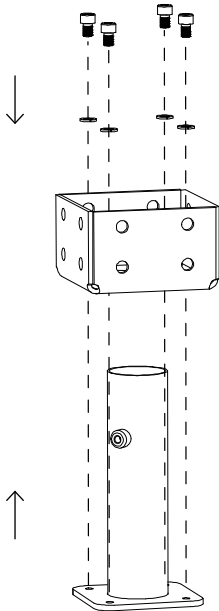


First remove the central cube if already mounted

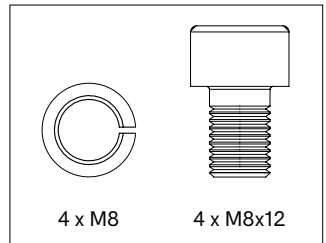
3.



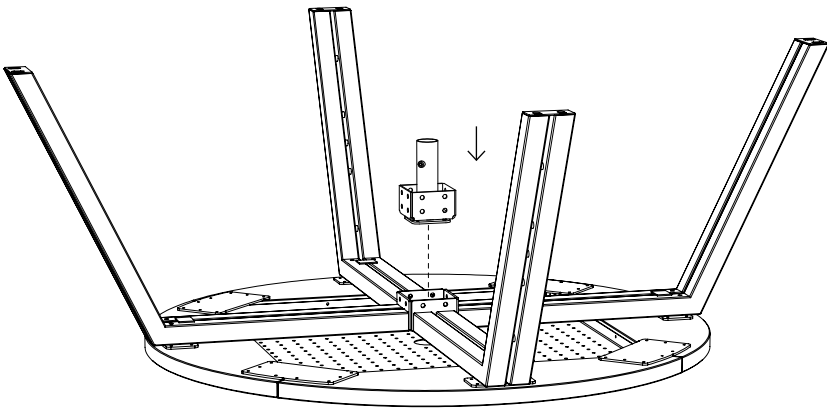
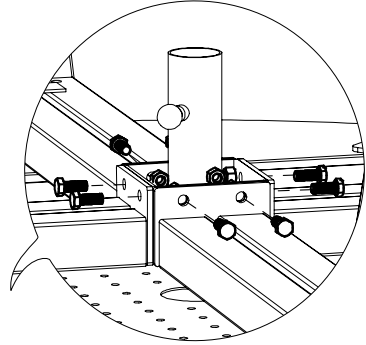
4.



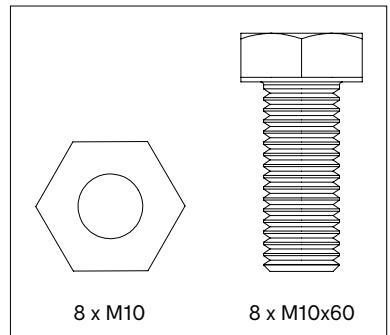
INU183



5.



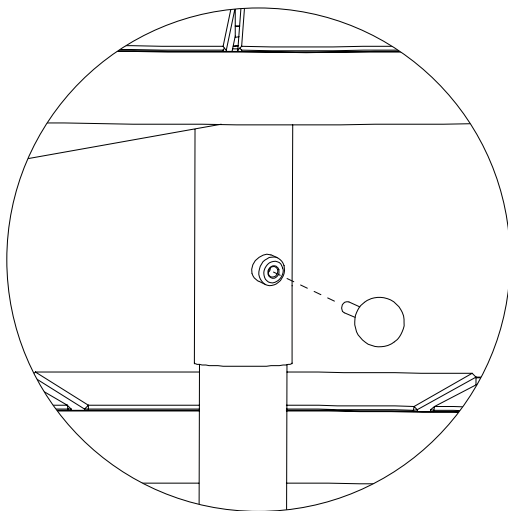
GAR025



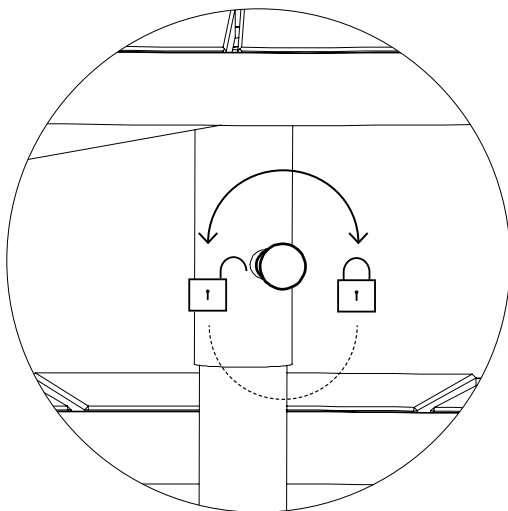
6.



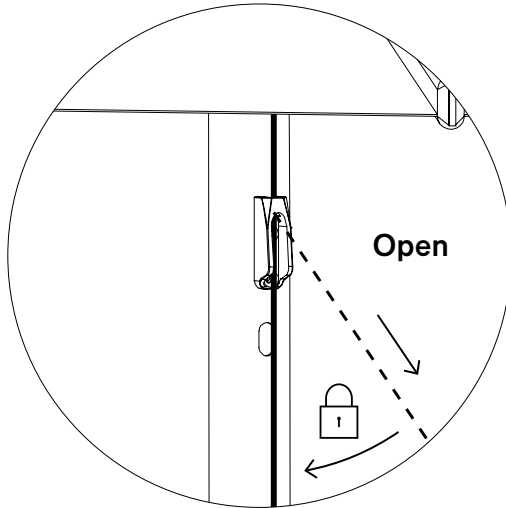
7.



8.

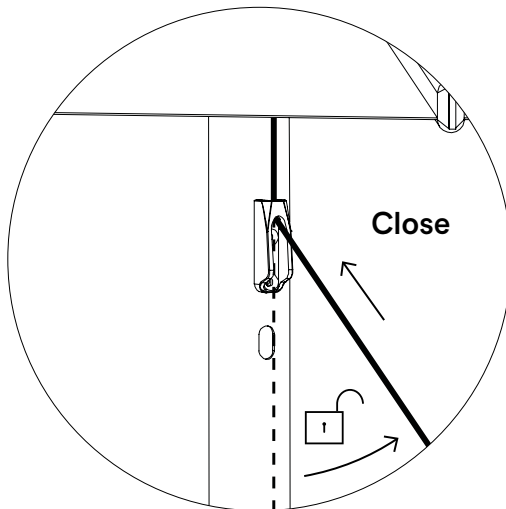


9a.

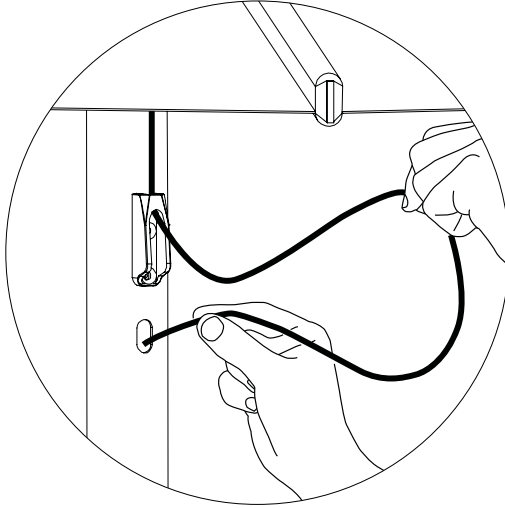


Attention!
The parasol
should always be
fully opened or
completely closed!

9b.



10.



**Insert the rope into the provided hole in
the parasol tube**

Warnings

Text instructions

Maintenance

Warnings ↗

Assembly text instructions ↗

Maintenance ↗



Warnings

General

- Do not use any sharp tools to open the packaging.
- We strongly advise against using power tools.
- Tripping hazard, mind your step.
- Do not put out cigarettes on the table.
- Not graffiti proof.
- Do not leave children unattended whilst playing on the table.
- To avoid danger of suffocation, keep plastic bags away from babies and children.
- Colors can differ over years and from batch to batch.

Product

- Do not stand or jump on the table.
- Do not drag the table, but carry it with minimum 2 people.
- Anchoring the product has to be done by qualified people.
- For anchoring: use suitable bolts or screws from a specialized store depending on the material your terrace is made of.
- To change the position of the bench, grab the bench with both hands on the frame and do not pull on the wood.
- Make sure the bench is securely fixed and is hanging in a horizontal position.
- The slight movement you feel when sitting down is the result of the space we need to hook or unhook the benches. If this would be too narrow, moving the benches would no longer be possible.
- All the benches at the highest level is not meant to be used all the time. The benches do not form one closed surface with the round tabletop. This position is meant for exceptional situations. Level deviations up to 1 cm may appear.
- The centerplate of the tabletop reflects in the sunlight.
- Max. 3 people or 240 kg per bench.



Wood

- When delivered, the wood is untreated.
- Wood is a natural material and its look is different for every slat, plank and tree.
- Wood will gradually become rougher and start to turn grey as a consequence of exposure to the sun and rain. We recommend oiling the wood once or twice a year. 1x before the Summer and 1x after the Summer as protection for the Winter.
- Cleaning regularly with mild detergent. Never use a high pressure cleaner as this will roughen the wood's smooth surface and irreparably damage the wood's fibress.
- Thorough cleaning with Extremis Wood Cleaner.
- We strongly recommend that you treat your wood with wood oil to protect it from stains - Small cracks and crevices can also appear as part of this process. We strongly advise everyone to treat the furniture with our Wood Protector. It is best to repeat this treatment each year.

Galvanized steel

- Galvanization will become less shiny when used outdoors.
- Flame retarding - NEN-EN13501-1 A1 - Class A1 products will not contribute to fire in any stage, including fully developed fire. For this reason, they are assumed to be capable of satisfying all requirements of all lower classes as well.
- Possible impurities in the immersion tank can cause black marks during galvanization, which are intrinsic to this industrial finishing technique.
- White marks on this zinc layer are also intrinsic to this procedure and will disappear when the furniture is put outdoors.
- This industrial finishing technique may result in a rougher surface. This is intrinsic to the process.



Stainless steel

- Very good UV color fastness.
- Flame retarding: NEN-EN13501-1 A1 - Class A1 products will not contribute to fire in any stage, including fully developed fire. For this reason, they are assumed to be capable of satisfying all requirements of all lower classes as well.
- Watch out, stainless steel isn't entirely rustproof! Be sure to avoid contact with iron objects. If it does show signs of rust, clean with rust remover as quickly as possible.

Sunbrella

- Not waterproof, store inside!
- Shake or brush off loose dirt immediately.
- UV color fastness: 7/8 (ISO 105-B02).



Assembly text instructions



Take a look at the drawings, starting from page 10

Gargantua (p10)

1. Place the tabletop upside down on the ground. Use the packing material to protect the tabletop surface! Put the four legs in position, with the welded plate facing the center. Attach each leg using 2 flat washers M10 and 2 bolts M10x60. Do not tighten the bolts yet!
2. Go to page 25 if you want to fit the Inumbra parasol or the page 30 if you want to assemble the Inumbria parasol.
Now place the central cube in the center of the table between the four legs. The cube should be positioned with the completely open side facing the ground.
3. Now attach the central cube to the legs using 8 bolts M10x25 and 8 nuts M10 as shown on the drawing. Now first tighten the bolts from step 1, only then the bolts at the central cube.
4. Turn the table upside down and place the stainless-steel disc in the tabletop.
5. Attach the bench support to the bench using 4 flat washers M8 and 4 bolts M8x16. Do not tighten the bolts yet.
6. Turn the benches upside down and hook all the benches in the highest position (tabletop height).
7. Make sure that the distance of the bench to the tabletop is the same everywhere.
8. Now tighten all the bench support bolts. Max. torque: 20 Nm of 10 kg / 22 lb.



9. Check that the benches are the same height as the tabletop. If they are too high, loosen the vertical bolt on this side of the bench. If they are too low, tighten the bolt until the bench is the same height as the tabletop.
10. Hang the benches at the required height. To hang a bench, first make sure that the horizontal bolts under the bench have been loosened, using both hands take hold of the bench by the frame and then hook it back in at the required height between the two tubes of the leg. The slight movement you feel when you sit down is the space that is needed to unhook the benches. (The longer you use the benches, the tighter they will be fixed. To remove them, take hold of the bench by the frame and move first from left to right a few times. This will loosen the bench slightly so that you can lift it out. (Never pull on the wooden slats!). If there is too much movement in the bench, you can adjust this by tightening the 2 horizontal bolts. After you have done this, secure the bolts by tightening the nuts.

Backrest (p18)

1. Insert the two clips (for each backrest) between the 3rd and 4th slat, with the opening facing downwards.
2. Hold the backrest so that the holes in the flat parts are precisely under the holes in the brackets. Insert the bolts through the hole in the backrest and tighten them in the brackets.

Floor fastening (p20)

1. Place the floor fastening plate between the table leg groove on the inside of the table leg.
2. Mark the places on the floor where the floor fastening is to be located.
3. Remove the floor fastening plate.
4. Now drill at the marked places.
5. Now place the floor fastening plate back between the table leg groove and attach using bolts or screws suitable for the type of ground on which the Gargantua is to stand.



Bench fastening (p23)

1. Position the brackets on the inside of the legs as shown on the drawing. Make sure that the holes of the bracket correspond with the hole of the bench hook.
2. Now attach this to the bench hook with a bolt M10x140 and a locking nut M10.

With Inumbra (p25)

1. Before you attach the central cube to the 4 legs, place the tabletop with legs upside down on trestles.
2. First remove the central cube if already mounted.
3. Fit the Inumbra connection piece on the top of the central cube and attach it using 4 flat washers M8 and 4 bolts M8x12 as shown on the drawing.
4. Then position it on the legs so that the connection piece protrudes slightly on the top of the tabletop. Attach with 8 bolts M10x25 and 8 nuts M10.
5. Place the Inumbra on the connection piece and fasten it by inserting the handle provided into the lowest hole of the tube and tightening it. Now open the parasol by inserting the handle into the highest hole in the tube and turning it. The parasol should always be fully opened or completely closed.

With Inumbrina (p30)

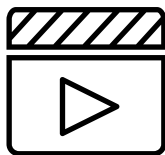
1. Before you attach the central cube to the 4 legs, place the tabletop with legs upside down.
2. First remove the central cube if already mounted.
3. Remove the rotary knob from the connection piece.
4. Fit the Inumbrina connection piece on the top of the central cube and attach it using 4 flat washers M8 and 4 bolts M8x12 as shown on the drawing.
5. Then position it on the legs as shown on the drawing and attach with



8 bolts M10x25 and 8 nuts M10. Now tighten the adjusting screw on the connection piece.

6. Insert the Inumbrina into the table.
7. Reattach the rotary knob to the connection piece.
8. Lock it by tightening the rotary knob clockwise. The Inumbrina is only properly locked into place if it can no longer spin on its axis.
9. **a.** To open the parasol, pull hard on the rope until the crown meets the bolt.
b. To close it again, hold the rope at an angle as you release it. TIP: continue to hold the rope at an angle until the parasol is completely closed. The parasol should always be fully opened or completely closed.
10. Now insert the rope into the provided hole in the parasol tube.





Watch the maintenance videos on our website:
www.extremis.com/maintenance

Wood

OILING

Twice a year

Before first use and/or after cleaning and sanding, we strongly recommend treating the wood with Extremis Wood Protector to protect it from dirt, moisture and UV rays.

DAY TO DAY CLEANING

Regularly and after every use

Schedule regular maintenance to prolong the life of your garden furniture. Regular maintenance ensures that the furniture always looks its best.

Cleaning the wood regularly and immediately after use with a clean, damp cloth ensures that liquids cannot penetrate deep into the wood. A well oiled table is less likely to absorb liquids and thus stays cleaner for longer. To remove stubborn dirt, simply use a hard brush and some water. Be careful not to cause permanent damage to the fibres. For this reason, you should never, ever use a high-pressure washer for cleaning wood.

THOROUGH CLEANING

Twice a year

It is essential to clean the wood thoroughly twice a year. We recommend



doing this just before spring and after summer if your furniture is outside all the year round. Pick one of those humid, cloudy days, as it is better for the moisture level in the wood to dry out slowly after cleaning.

SANDING WOOD

Every 2 years

After a few years, your wood will show cracks and perhaps some distortion. This is perfectly normal as wood is a natural and living material. The great advantage of solid wood is that you can sand away the top layer to make the surface even and smooth again. You should do this every two years using a hand sanding machine. Choose a dry day. Finish off with a 120-grit sandpaper.

REPLACING A WOODEN PART

Hey! You don't need to be an engineer to understand our products. And you don't even need to be great at DIY to replace a part. Do make sure that you can't repair the damage simply by sanding the slat.

Galvanized steel

CLEANING

When dirty

Clean with lukewarm water and a brush.

REPARING DAMAGED PARTS WITH ZINC SPRAY

When damaged

Hot dip galvanization is the most durable way of protecting metal against rusting. If the zinc coating is damaged, the exposed metal can rust. This can easily be touched up with zinc paint that automatically has the same colour and is readily available in shops. Zinc spray forms a quick drying, self healing and flexible coating that helps stop corrosion.



Stainless steel

KEEPING YOUR STAINLESS STEEL STAIN-LESS

Regularly

The surface will inevitably get scratched, even during normal use. Major scratches can be avoided by never moving uneven or rough objects over the table's surface. Stains can also appear, but most of them can be removed with generally available stainless steel cleaning products.

Sunbrella

SPILLED LIQUIDS

Immediately after use

It is best to treat spilt liquids immediately by placing a sheet of absorbent kitchen paper on them. The water-resistant coating on the Sunbrella prevents droplets from penetrating the fabric.

REGULAR CLEANING

When dirty

Make a solution to remove stains on your Sunbrella.

MACHINE WASHING

Rarely

It is also possible to put the blankets and cushion covers in a washing machine (30°). Do not dry clean or tumble dry. The fabric can be creased. Ironing will help to recover the waterrepellent coating of the fabric, but only at a cool setting (delicates). As some irons exceed the recommended temperature at the synthetic setting, test a small, inconspicuous area before ironing the entire fabric. **DO NOT** use a steamer or iron set to the steam setting.



REMOVING STUBBORN STAINS

Only if nothing else helps

More drastic measures needed? Bleach can be used if nothing else helps. Protect the area around your Sunbrella fabric when using a bleach solution – bleach may discolour non-Sunbrella fabrics. Please be aware of the environment when cleaning with bleach. Bleach can have harmful effects on the natural environment around you. We do not advise using bleach if you are surrounded by a body of water or another environment that could be affected. If stains and/or mildew marks are severe, the quantity of bleach may be increased.





Our headquarters:
Couthoflaan 20b
B-8972, Poperinge
info@extremis.com
+ 32 57 346020

extremis.com

Connect with us



All rights reserved. Unless otherwise specified, all designs and photographs contained in this publication are copyright protected and are the property of Extremis. No part of this publication may be copied or distributed without Extremis' prior written consent. The names of the authors of photographs to which we do not hold rights are mentioned here. We have done our utmost to provide a comprehensive list of names. In the event of an alleged breach, please contact the editorial staff. © Extremis

LAB085