



AMAi



Design

© Design by Dirk Wynants for Extremis, 2021

Furniture awards

- Archiproduct design award – 2021
- iF award - 2022
- Good design award - 2022
- Prize Designs for Modern Furniture + Lighting! - 2022

Extremis awards

- Henry Van De Velde Award, 2001
- Hermes Creative Award, 2002
- De Leeuw van de Export Award, 2003
- Design Management Europe Award, 2007
- Unizo KMO Laureaat, 2008
- Green Good Design Award, 2013
- Sustainable Enterprise, POM Vlaanderen, 2016

Text

Today's working environments demand flexibility. For example: in the morning you're immersed in heads down work at your laptop, a couple of hours later you're holding an outdoor brainstorm session, the next you're on a conference call to pitch a big new idea, by evening you're hosting clients or colleagues for an afterwork drink. What if one single set of furniture could be the same destination for all of these experiences?

Amai, the Flemish word to express astonishment fits this adjustable table neatly. AMAi, a word consisting of two 'A's' – just like the table frames – and conveying A Magnificent Amazing Idea.

This unique, multi and utility patented design is the first outdoor set that truly has it all: flexibility, durability, timeless and innovative design. Two A-shaped side frames provide a solid construction where multifunctional magic finds its purpose. In between these frames, you can position the tabletop into two heights: standard or high. Thanks to the innovative design, even a single person can smoothly slide the tabletop from 'sitting height' into 'standing height' and vice versa. By adding more A-frames, you extend togetherness into infinity. One AMAi seats 8 people and stands even more.

- Standard & high table: all-in-one
- Easily adaptable to host large groups, just add an extension module
- Chef module possible, with or without bar module
- Multiple tabletop centerplate options available: powder coated, Hellwood.
- Optional tabletop fixation (f.i. for public use), only applicable in the high position
- Optional integrated lighting & electricity: indoor or outdoor dimmable LED module with 2 sockets and 2 USB ports
- Optional shade, that opens swiftly and doesn't need a cover (opens and closes horizontally by pulling the bungees)
- Optional add-on table: can be used in standard and high table position
- Optional monitor holder
- Standard feet, leveling feet or floor fastening possible
- ADA-compliant

More info: <https://www.extremis.com/en/collections/amai/amai>

Construction

A-frame:

- In structured powder coated material (Off white (RAL9002), Black (RAL9005), Beach beige (RAL1019) or Copper brown (RAL8004)) or galvanized steel

Tabletop:

- Centerplate in structured powder coated material (Off white (RAL9002), Black (RAL9005), Beach beige (RAL1019) or Copper brown (RAL8004)) or Hellwood or Oak veneer (indoor only) or Soft desktop (indoor only)
- Side profiles in structured powder coated aluminium (Off white (RAL9002), Black (RAL9005), Beach beige (RAL1019) or Copper brown (RAL8004))

Footrest:

- In galvanized steel (standard) or stainless steel (optional)

Shade:

- Structure in stainless steel
- Fabric in white high-tech polyester

Start building your unique AMAi: www.extremis.com/en/amai-guide

Materials info**Hot dip galvanized steel** A-frame, top tube, footrest:

- Hot dip galvanizing provides a protective layer
- Longlasting
- Low maintenance
- 100% recyclable
- Cradle to Cradle Certified
- Thickness of tabletop and bench: 2-6 mm
- Thickness of legs and back support: 8 mm
- Layer thickness 50-100 microns
- Density: $7.5 \cdot 10^3 \text{kg/m}^3$
- Outdoors and indoors
- Very good UV-resistance, galvanized steel will be less shiny over time
- Flame retarding (NEN-eN13501-1 A1)
- Galva Power C2C certificate

Structured powder coated A-frame, tabletop side profiles, top profile, centerplate:

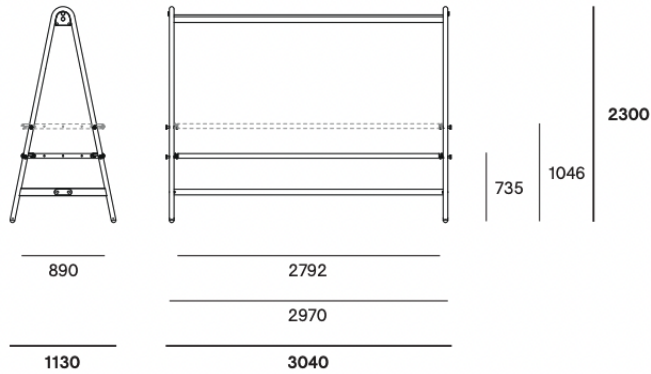
- Low maintenance
- More scratch-resistant than non-structured powder coating
- Thickness: 2 mm
- Layer thickness: 50-100 micron
- Indoor & outdoor use
- Very good UV color fastness – color can fade to some extent when exposed to UV
- Flame retarding: NEN-EN13501-1 A1

Hellwood tabletop centerplate:

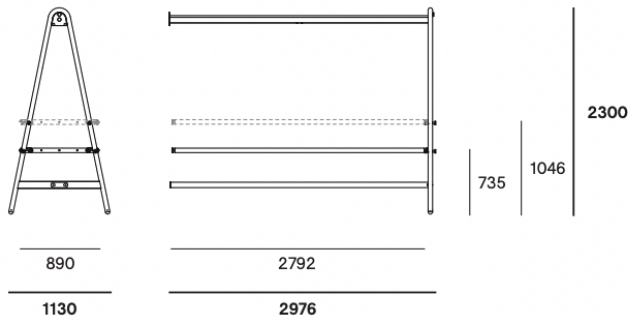
- Hellwood is a European ash that is thermally treated, durability class 1
- PEFC label for sustainable forest management
- Thickness: 24 mm
- Density: +/- 600kg/m^3
- Suitable for indoors and outdoors
- The wood is untreated on delivery; untreated wood turns grey in colour over time
- Natural product with a warm appearance
- Very quick drying time after a rain shower
- Feels comfortable in all weather conditions
- If the wood is stained or scratched, this can be removed by lightly sanding the wood. It's recommended to oil the wood annually for easier maintenance and to counteract the greying effect.

Dimensions (in mm)

The AMAi is available in one dimension



The extension module is available in one dimension



Weight and transport volume

- Standard module galvanized steel with powder coated tabletop centerplate = 105 kg
- Standard module galvanized steel with hellwood tabletop centerplate = 194 kg
- Standard module powder coated with powder coated tabletop centerplate = 112 kg
- Standard module powder coated with hellwood tabletop centerplate = 201 kg
- Transport volume standard module = 0,84 m³
- Extension module galvanized steel with powder coated tabletop centerplate = 88 kg
- Extension module galvanized steel with hellwood tabletop centerplate = 178 kg
- Extension module powder coated with powder coated tabletop centerplate = 95 kg
- Extension module powder coated with hellwood tabletop centerplate = 185 kg
- Transport volume extension module = 0,61 m³

View more details on the technical factsheet at www.extremis.com/en/product-downloads/amai

Standards

- NEN-EN13501-1 A2-s1 (flame retarding)

Certificates

- PEFC (PEFC/07-31-433)
- Cradle to Cradle

Guarantee

The entire Extremis collection has a 2-year guarantee, based on the provisions in our general guarantee terms & conditions.

Maintenance

Clean regularly with lukewarm water and a mild cleaning detergent. Absolutely do not use any aggressive products or scouring sponges. If necessary, use a soft brush to remove any caked-on dirt.

More info: www.extremis.com/maintenance

Applications

- Indoor
- Outdoor
- Residential
- Corporate
- Hospitality
- Educational institutions
- Hospitals and health centres
- Public spaces

Assembly

See manual: <https://www.extremis.com/en/product-downloads/amai>