

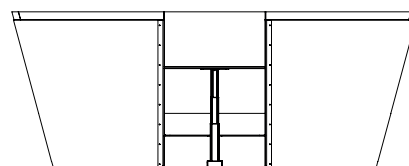
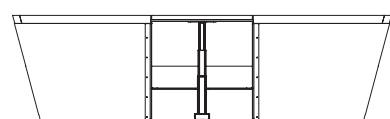
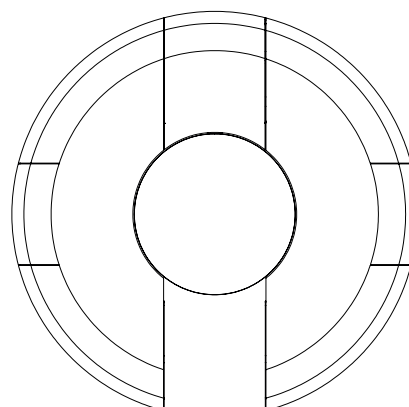
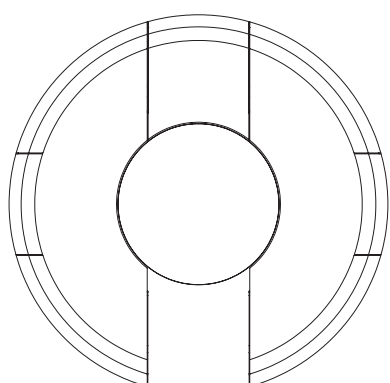


## Dimensions

The Kosmos 8-seater is available in 2 heights

Kosmos 8-seater low

Kosmos 8-seater high



385 | 730 | 735

385 | 730 | 1085

690

1110

2610

690

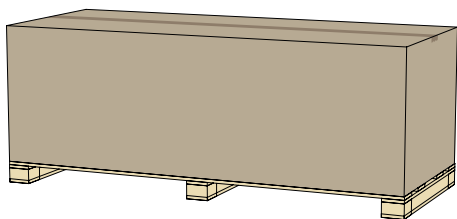
1110

2797

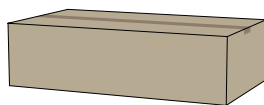
# Box dimensions

The Kosmos 8-seater comes in 3 boxes

Box 1: Big frames + cushions



Box 2: Small frame + foot for table



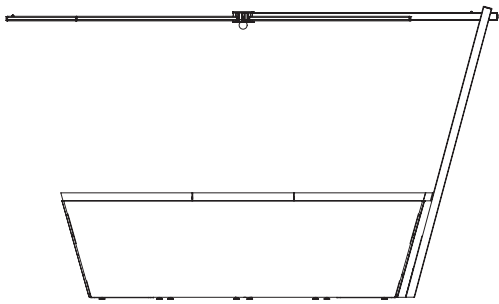
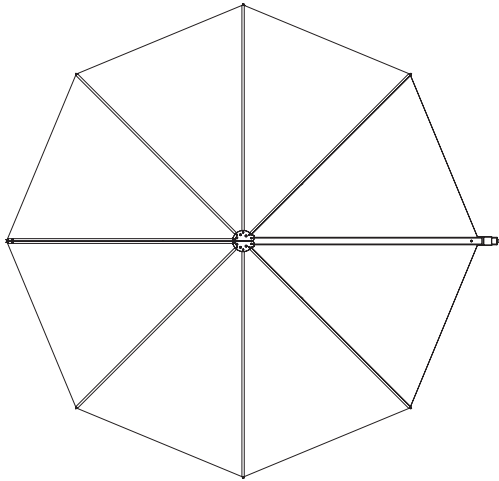
Box 3: Tabletop



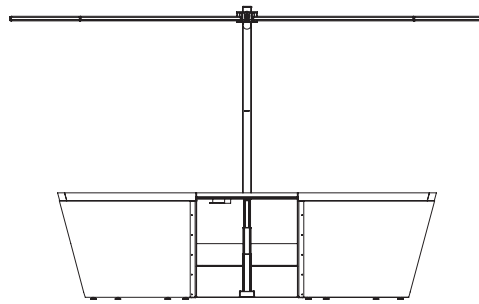
| Box dimensions (mm)         |        | L    | W    | H    | Qty | Volume (m3) | Gross weight (kg) | Net weight (kg) | Packaging weight (kg) |
|-----------------------------|--------|------|------|------|-----|-------------|-------------------|-----------------|-----------------------|
| <b>Kosmos 8-seater low</b>  | Box 1  | 2600 | 1150 | 980  | 1   | 2,93        | 137,57            | 128,57          | 9,00                  |
|                             | Box 2  | 1350 | 740  | 370  | 1   | 0,37        | 41,45             | 35,19           | 6,26                  |
|                             | Box 3  | 1280 | 1280 | 33   | 1   | 0,05        | 22,00             | 18,00           | 4,00                  |
|                             | Total: |      |      |      |     | <b>3,35</b> | <b>201,02</b>     | <b>181,76</b>   | <b>19,26</b>          |
| <b>Kosmos 8-seater high</b> | Box 1  | 2600 | 1150 | 1260 | 1   | 3,77        | 165,07            | 156,07          | 9,00                  |
|                             | Box 2  | 1350 | 740  | 370  | 1   | 0,37        | 41,45             | 35,19           | 6,26                  |
|                             | Box 3  | 1280 | 1280 | 33   | 1   | 0,05        | 22,00             | 18,00           | 4,00                  |
|                             | Total: |      |      |      |     | <b>4,19</b> | <b>228,52</b>     | <b>209,26</b>   | <b>19,26</b>          |

## With Kosmos shade

Only possible to combine the Kosmos shade with the Kosmos 8-seater low



3387



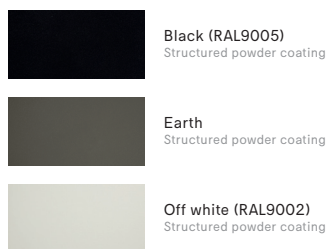
1905 2005

ø3266

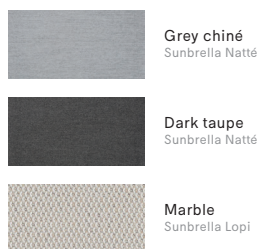
# Materials & colors

Check price list or [www.extremis.com](http://www.extremis.com) for current materials & colors

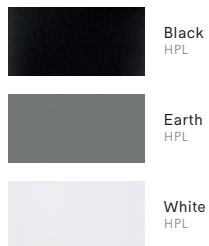
## Outer shell



## Sunbrella® cushions



## Tabletop



| Materials                                | Key facts  | Thickness | Layer thickness | Density                                | In/outdoor       | Water                            | UV color fastness   | Flame retarding         |
|--|--|-----------|-----------------|--|------------------|----------------------------------|---|-------------------------|
|  |  | mm        | micron          |  |                  |                                  |   |                         |
| Hot dip galvanized steel frame           | <ul style="list-style-type: none"> <li>Most durable method for protecting metal from rusting</li> <li>Protective layer</li> <li>Very long life span</li> <li>100% recyclable</li> <li>Cradle to Cradle Certified™</li> </ul>   | 2 - 6     | 50 - 100        | 7,50 10 <sup>3</sup> kg/m <sup>3</sup> | Outdoor & indoor | n.a.                             | Very good: galvanisation will however become less shiny when used outdoor | NEN-EN 13501-1 A1 *     |
| Structured powder-coated aluminium shell | <ul style="list-style-type: none"> <li>A technique of applying dry paint to a part</li> <li>Electrostatically charged and sprayed onto the object</li> <li>More scratch-resistant than non structured powder coating</li> </ul>  | 2 - 4     | 50 - 100        | 2,70 10 <sup>3</sup> kg/m <sup>3</sup> | Outdoor & indoor | n.a.                             | Very good: color can fade to some extent when exposed to UV               | NEN -EN13501-1 A2-s1 ** |
| Sunbrella cushions                       | <ul style="list-style-type: none"> <li>100% Sunbrella Acrylic</li> <li>Best outdoor fabric available for making cushions</li> <li>Dirt repellent</li> <li>Not waterproof, store inside!</li> <li>Machine washable at max. 30°C. Ironing restores the protective layer</li> </ul> | 0,50      | n.a.            | 270 g/m <sup>2</sup>                   | Outdoor & indoor | Water column of 350mm (EN 20811) | 7/8 (ISO 105-B02)   | /                       |
| High pressure laminate table             | <ul style="list-style-type: none"> <li>Manufactured under high pressure</li> <li>Reinforced with wood fibres</li> <li>Flat panel</li> <li>High impact resistance</li> <li>Easy to clean</li> </ul>   | 13        | n.a.            | 1,40 10 <sup>3</sup> kg/m <sup>3</sup> | Outdoor & indoor | n.a.                             | >6 (EN438-2:27) en (ASTM G53-91)  | /                       |
| Cover                                    | <ul style="list-style-type: none"> <li>Polyester</li> </ul>  | 0,50      | n.a.            | 400 g/m <sup>2</sup>                   | Outdoor & indoor | 100% waterproof                  | 6-8/8 (ISO 105-B02)   | BS 7837                 |

### NEN-EN13501-1 A1

Class A1 products will not contribute to fire in any stage, including fully developed fire. For this reason, they are assumed to be capable of satisfying all requirements of all lower classes as well.

### NEN-EN13501-1 A2-s1

Satisfying the same criteria as class B for the SBI-test according to EN 13823. In addition, under conditions of a fully developed fire these products will not significantly contribute to the fire load and fire growth

### BS 5852-5

The Cigarette & Match Tests BS 5852 are fire retardancy tests for residential upholstery. Source 5 = Crib. (Wooden crib or Crib 5)

## Good to know

Kosmos 8-seater low combines perfectly with Kosmos shade.



## Important

We strongly advise to acquire the cover for outdoor use. If possible, store the cushions inside during Winter.



## Maintenance

### POWDER COATED PARTS

- White powder coating obviously requires more maintenance.

### SUNBRELLA

- Shake or brush off loose dirt immediately.
- Spray Extremis Multi Cleaner.
- Use a soft brush and make circular movements.
- Let the suds soak in for a moment.
- Rinse thoroughly to remove all soap residue.
- Simply allow to dry.
- It's also possible to put the blanket and the pillow covers in a washing machine (max 40°C). Follow the cleaning instruction on the label

### HPL

- Spilled liquids should be removed immediately with a clean, soft cloth, particularly in case of dark-colored liquids such as wine, ink, coffee, coke, oil and bird droppings.

## F.A.Q.

*Q: With how many people can you use it?*

*A: 7 - 8 people can sit and 3 - 5 can lie down.*

*Q: Is the parasol wind resistant?*

*A: Tests in a windtunnel have shown that the shade withstands wind speeds up to 6 on the Beaufort scale (49 km/h). Still, we strongly advise to take of the fabric sooner (from 4 on the Beaufort scale is the rule of thumb (28 km/h)).*

## Instructions

To transform your Kosmos into a lounge bed, push the adjustable table downwards with your right hand, while squeezing the handle underneath the tabletop with your left hand.

To use the table, squeeze the handle underneath the table again, and pull up the table with your other hand.

## Warnings

### General

- Do not use any sharp tools to open the packaging.
- We strongly advise against using power tools.
- Tripping hazard, mind your step.
- Do not put out cigarettes on the table.
- Not graffiti proof.
- Do not leave children unattended whilst playing on the table.
- To avoid danger of suffocation, keep plastic bags away from babies and children.
- Colors can differ over years and from batch to batch.

### Product

- Stains should be removed immediately with a clean, soft cloth, particularly in case of dark-colored liquids such as wine, ink, coffee, coke, oil or bird droppings. If left to dry, these liquids may cause permanent damage.
- We strongly advise to acquire the covers for outdoor use. If possible, store the cushions inside during Winter.
- Never sit on the backrest to avoid damaging the cushions and aluminum plate.

- Check if there's nothing under the height-adjustable table before you adjust it to its lowest height.
- Make sure there is nothing on the table when you are adjusting the height! Push carefully in the middle of the tabletop to lower it.
- Only sit or lie on the height-adjustable table when it is at its lowest height setting!
- Keep pets and sharp objects away from the Kosmos to avoid damaging the fabric.
- Max. 8 people or 640 kg.

### Powder coating

- White powder coating requires more maintenance.
- Do not use abrasive scouring powders or scourers as they will scratch the surface.
- Color can fade to some extent when exposed to UV.
- Flame retarding - NEN-EN13501-1 A2-sl - Satisfying the same criteria as Class B for the SBI-test according to EN13823. In addition, under conditions of a fully developed fire these products will not significantly contribute to the fire load and fire growth.
- Dark colors can get very hot in sunny weather.

### Sunbrella

- Not waterproof, store inside!
- Shake or brush off loose dirt immediately.
- UV color fastness: 7/8 (ISO 105-B02).

### Galvanized steel

- Galvanization will become less shiny when used outdoors.
- Flame retarding - NEN-EN13501-1 A1 - Class A1 products will not contribute to fire in any stage, including fully developed fire. For this reason, they are assumed to be capable of satisfying all requirements of all lower classes as well.
- Possible impurities in the immersion tank can cause black marks during galvanization, which are intrinsic to this industrial finishing technique.
- White marks on this zinc layer are also intrinsic to this procedure and will disappear when the furniture is put outdoors.
- This industrial finishing technique may result in a rougher surface. This is intrinsic to the process.

The content of this document, in particular the mentioned models, is protected by copyrights and/or design rights. The present document and its content is communicated to you for information purposes only. Any partial or total reproduction or any other use without our prior written permission is strictly prohibited. This technical sheet remains subject to possible changes. **All dimensions are in mm**, unless mentioned otherwise. Extremis is not responsible for the errors in the documentation of products. All measurements are approximate and are provided for informational purposes only.

**Tech  
sheet**  
20231205