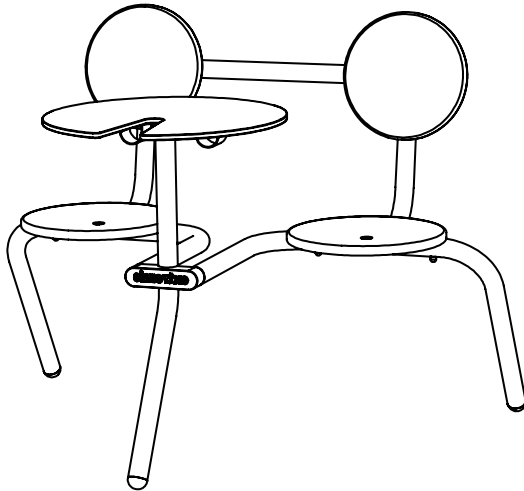
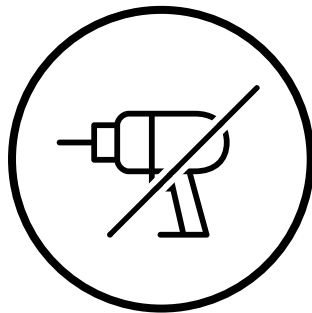


Bistro



extremis®

**IMPORTANT! RETAIN FOR FUTURE
REFERENCE: READ CAREFULLY.**



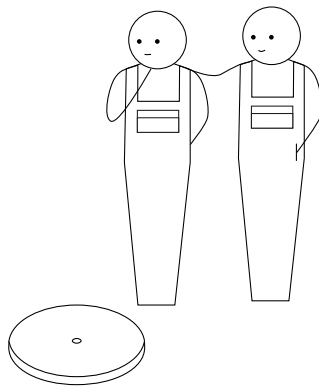
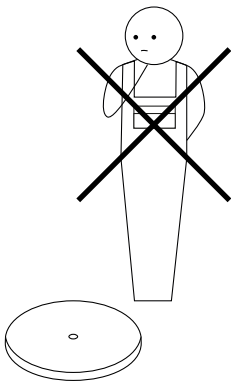
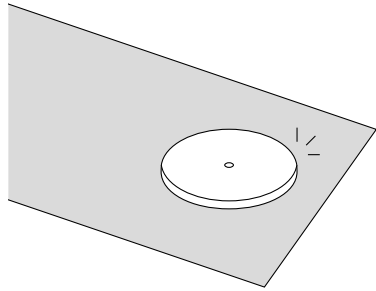
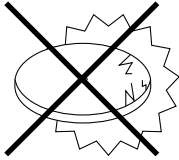


Table of contents ^{1/2}

Mounting kit [↗]

Exploded view [↗]

Assembly Bistrou [↗]

Table tray [↗]

This is an interactive PDF

You can easily navigate through this manual, allowing you to smoothly jump from one page to the other.

Table of contents ^{2/2}

Floor fastening [↗]

Warnings - Text instructions -
Maintenance [↗]

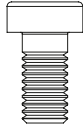
This is an interactive PDF

You can easily navigate through this manual, allowing you to smoothly jump from one page to the other.

Mounting kit



4 x M6

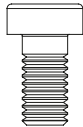


4 x M6x12

Mounting kit **BIS345** to fix the
tabletop to the center leg



4 x M6

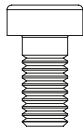


4 x M6x12

Mounting kit **BIS703**
to fix a seat

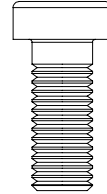


6 x M6



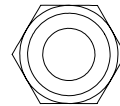
6 x M6x12

Mounting kit **BIS346**
to fix the backrest

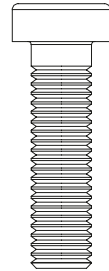


4 x M8x20

Mounting kit **BIS344-1** to fix the
logo frame to center leg



4 x M8

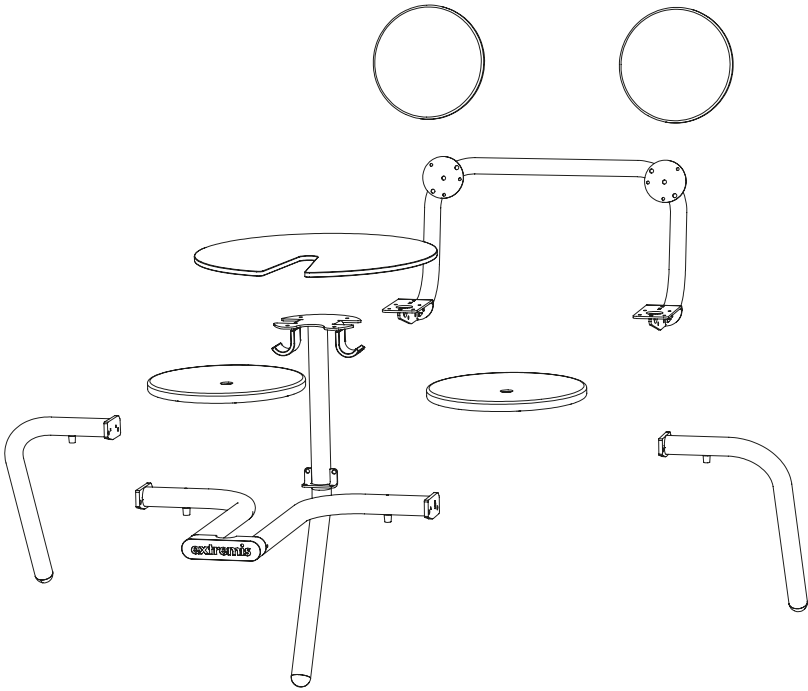


4 x M8x30

Mounting kit **BIS347** to fix back
support to center leg support

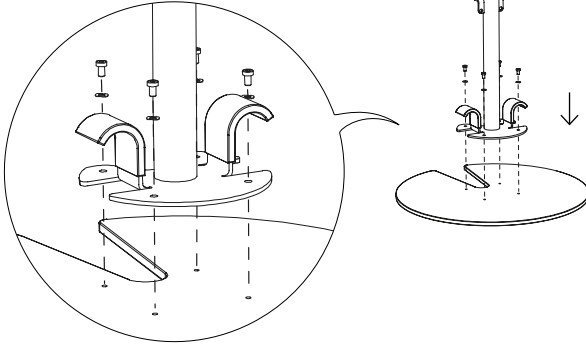


Exploded view



Bistro

1.



N° 13



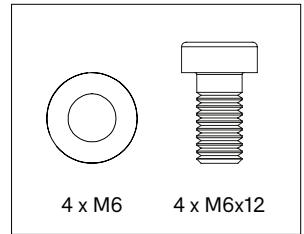
N° 4 - 5



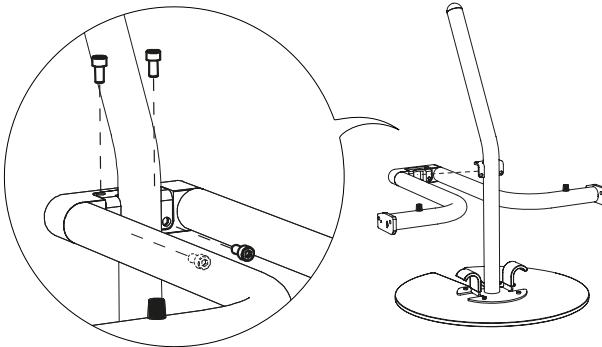
35'



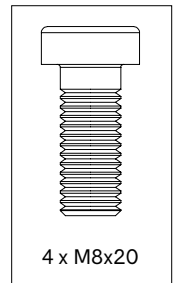
BIS345



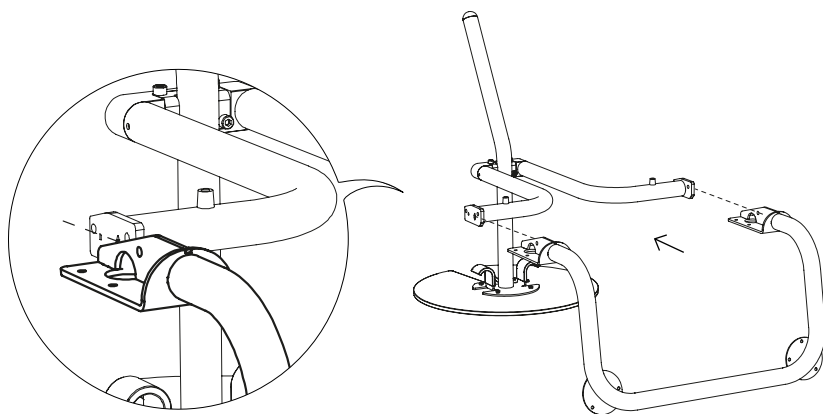
2.



BIS344-1

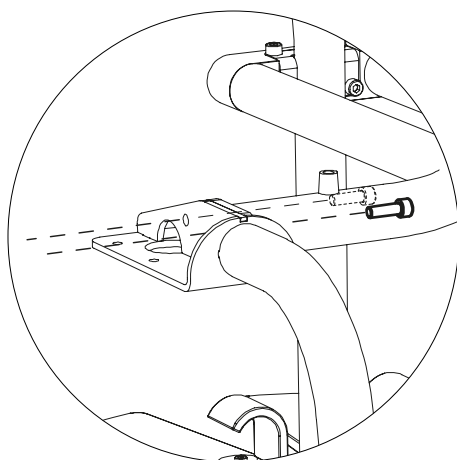


3a.



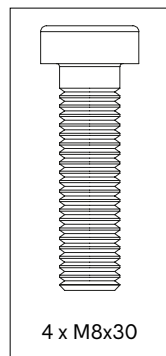
Position the backrest on the outside of the logo frame

3b.

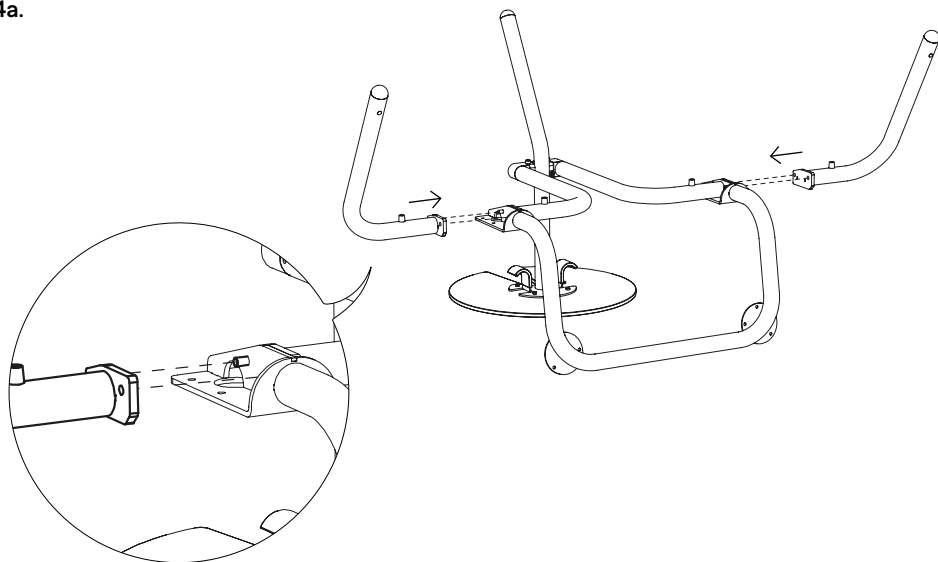


Do this for both sides

BIS347

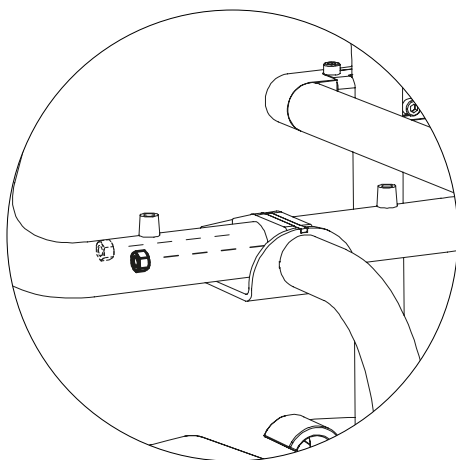


4a.



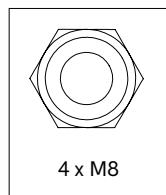
Slide the left and right leg over the bolts

4b.

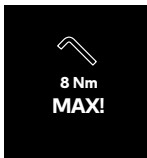
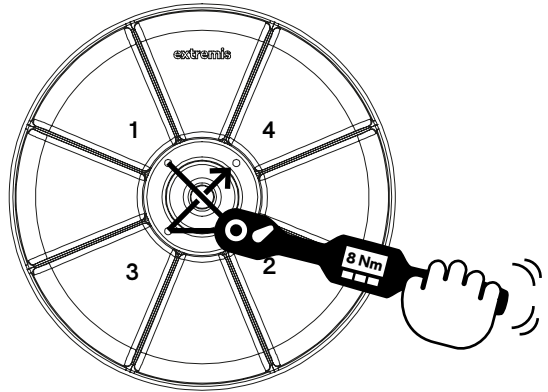
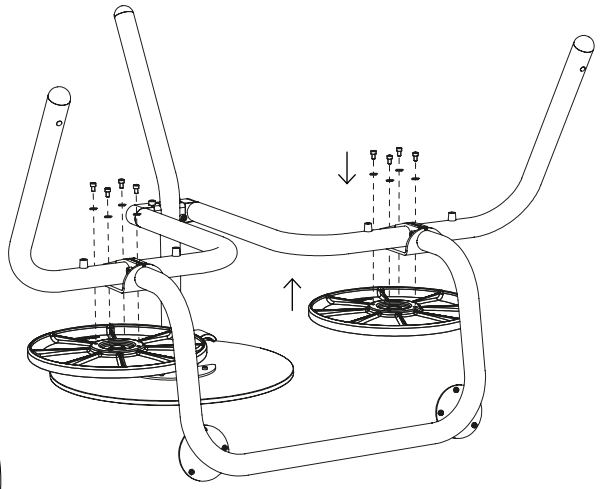
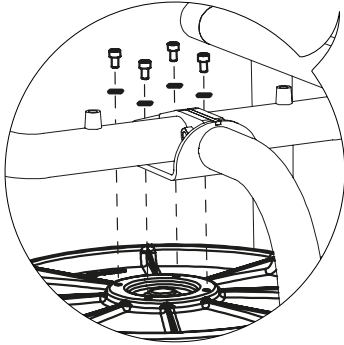


Do this for both sides

BIS347

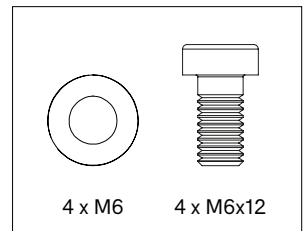


5.

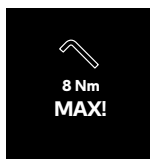
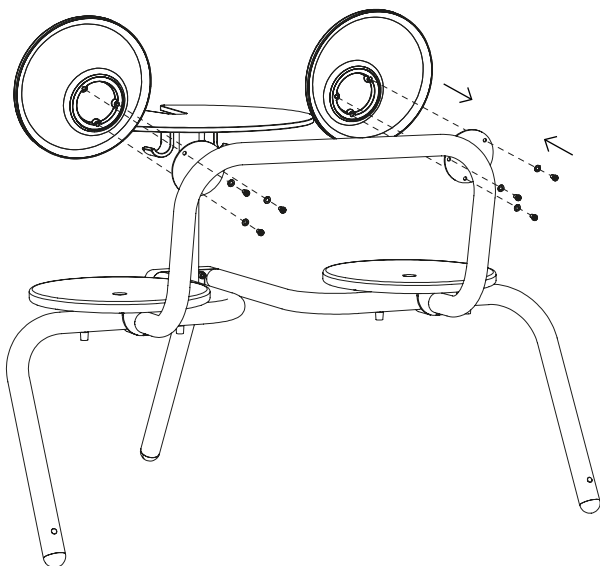
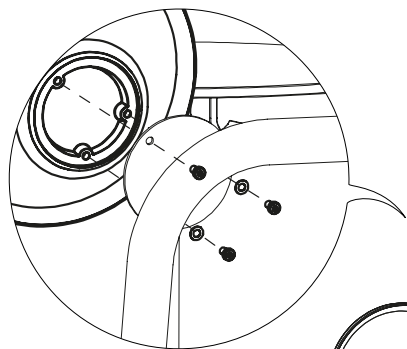


Tighten carefully!
Excessive force may
damage the coating!

BIS345
per seat



6.



Tighten carefully!
Excessive force may
damage the coating!

BIS346

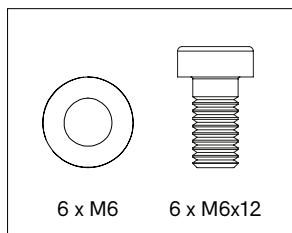
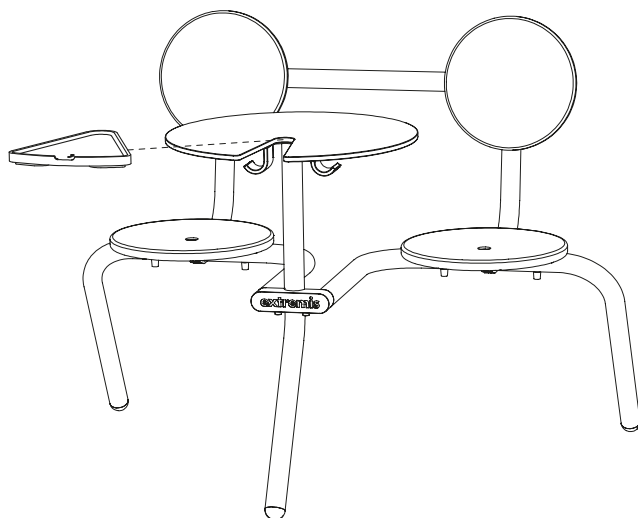


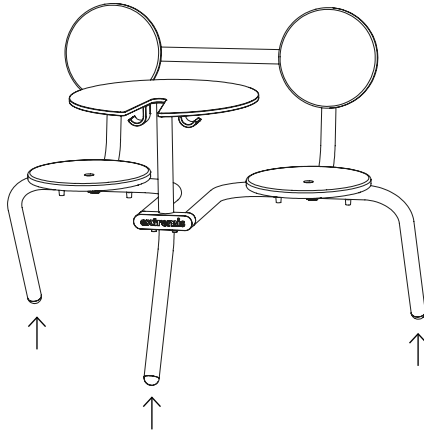
Table tray



Position the table tray in the cut-out of the tabletop

Floor fastening

1.



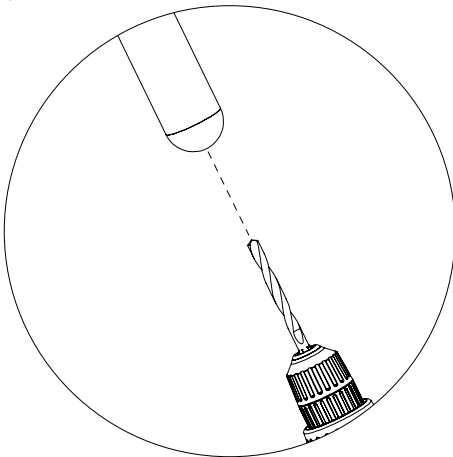
N° 34



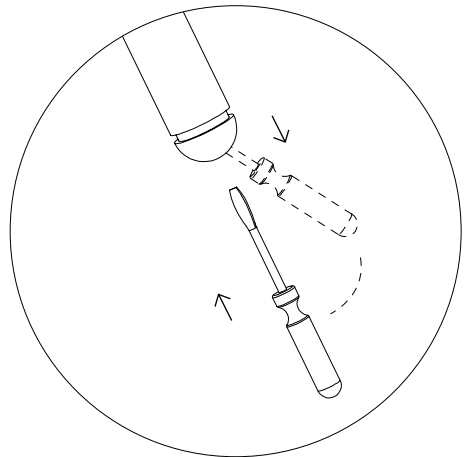
10'



2.



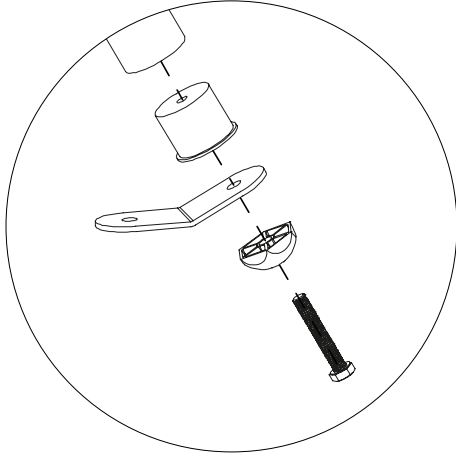
Drill a hole in the plastic cap



Pull the plastic cap out using a screwdriver

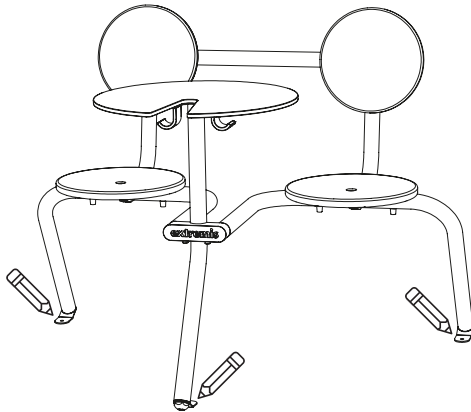


3.

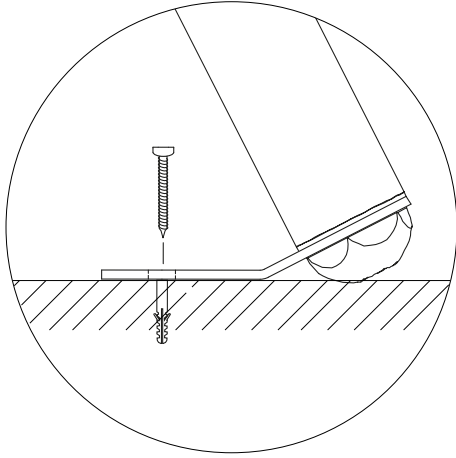


Do not tighten yet!

4.

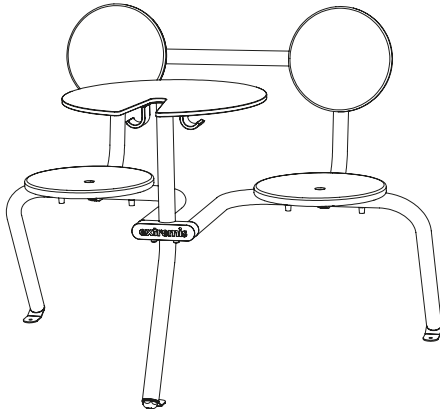


5.



Use the most appropriate fasteners for the surface on which the Bistrot is to stand

6.



Tighten all bolts by tightening the plastic cap

Warnings

Text instructions

Maintenance

Warnings ↗

Assembly text instructions ↗

Maintenance ↗



Warnings

General

- Do not use any sharp tools to open the packaging.
- We strongly advise against using power tools.
- Tripping hazard, mind your step.
- Do not put out cigarettes on the bench.
- Not graffiti proof.
- Do not leave children unattended whilst playing on the bench.
- To avoid danger of suffocation, keep plastic bags away from babies and children.
- Colors can differ over years and from batch to batch.

Product

- Anchoring the product has to be done by qualified people.
- For anchoring: use suitable bolts or screws from a specialized store depending on the material your terrace is made of.
- Stackable up to 4 pieces.
- Always stack the tables with 2 people.
- Only use Extremis accessories.
- Do not sit on the tabletop.
- Do not stand or jump on the seat or the tabletop.
- Max. 1 person or 120 kg per seat.

Powder coating

- White powder coating requires more maintenance.
- Do not use abrasive scouring powders or scourers as they will scratch the surface.
- Color can fade to some extent when exposed to UV.
- Flame retarding - NEN-EN13501-1 A2-s1 - Satisfying the same criteria as Class B for the SBI-test according to EN13823. In addition, under conditions of a fully developed fire these products will not



- significantly contribute to the fire load and fire growth.
- Dark colors can get very hot in sunny weather.

Sunbrella

- Not waterproof, store inside!
- Shake or brush off loose dirt immediately.
- UV color fastness: 7/8 (ISO 105-B02).



Assembly text instructions



Take a look at the drawings, starting from page 8

Bistroo (p8)

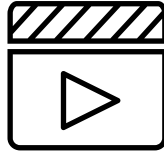
1. Lay the tabletop upside down on the ground with the holes facing upwards and use a blanket for protection. Position the center leg on the tabletop so that the holes align and attach it with four M6 wave washers and M6x12 bolts. Attention: make sure that the cut-out of the center leg is on the same side as the cut-out of the tabletop.
2. Position the logo frame in the center leg as shown in the drawing, with the rubber stacking caps facing upwards and fasten with four M8x20 bolts.
3. **a.** Next, position the backrest support on the outside of the logo frame.
b. Now insert the M8x30 bolts through the holes of the logo frame and the backrest so that it stays in position. Do not use any nuts yet.
4. **a.** Now slide the left and right leg over the bolts, as shown in the drawing.
b. Fasten them with two M8 nuts each.
5. Attach the seats to the legs, each with four M6x12 bolts and M6 wave washers as shown in the drawing. Attention: Tighten the bolts diagonally as shown in the drawing, but not too hard!
6. Turn the table over so that it is standing on three legs. Attach the two backrests to the back support using three M6 wave washers and M6x12 bolts.



Floor fastening (p15)

1. Turn the table upside down.
2. Drill a hole in the plastic cap & now pull the plastic cap out using a screwdriver as shown on the drawing.
3. Assemble the floor fastening set as shown in the drawing. Do not completely tighten the bolt yet.
4. Mark the places on the ground where the anchoring is to be located and drill at the indicated points.
5. Use the most appropriate fasteners for the surface on which the Virus is to stand.
6. Tighten all the bolts by tightening the plastic cap.





Watch the maintenance videos on our website:

www.extremis.com/maintenance

Powder coating

CLEANING

Regularly

Use Extremis Multicleaner, a 100% biodegradable detergent or common kitchen cleaning products. Avoid using aggressive products. These surfaces are best cleaned with a neutral cleaning product diluted in water.

REPAIRING DAMAGED POWDER COATING

When damaged

The impact of sharp objects can damage the coating. Scratches or dents can be touched up with our paint pens. However this only camouflages the scratches without removing them.

Sunbrella

SPILLED LIQUIDS

Immediately after use

It is best to treat spilt liquids immediately by placing a sheet of absorbent kitchen paper on them. The water-resistant coating on the Sunbrella prevents droplets from penetrating the fabric.



REGULAR CLEANING

When dirty

Make a solution to remove stains on your Sunbrella.

MACHINE WASHING

Rarely

It is also possible to put the blankets and cushion covers in a washing machine (30°). Do not dry clean or tumble dry. The fabric can be creased. Ironing will help to recover the waterrepellent coating of the fabric, but only at a cool setting (delicates). As some irons exceed the recommended temperature at the synthetic setting, test a small, inconspicuous area before ironing the entire fabric. DO NOT use a steamer or iron set to the steam setting.

REMOVING STUBBORN STAINS

Only if nothing else helps

More drastic measures needed? Bleach can be used if nothing else helps. Protect the area around your Sunbrella fabric when using a bleach solution - bleach may discolour non-Sunbrella fabrics. Please be aware of the environment when cleaning with bleach. Bleach can have harmful effects on the natural environment around you. We do not advise using bleach if you are surrounded by a body of water or another environment that could be affected. If stains and/or mildew marks are severe, the quantity of bleach may be increased.





Our headquarters:
Couthoflaan 20b
B-8972, Poperinge
info@extremis.com
+ 32 57 346020

extremis.com

Connect with us



All rights reserved. Unless otherwise specified, all designs and photographs contained in this publication are copyright protected and are the property of Extremis. No part of this publication may be copied or distributed without Extremis' prior written consent. The names of the authors of photographs to which we do not hold rights are mentioned here. We have done our utmost to provide a comprehensive list of names. In the event of an alleged breach, please contact the editorial staff. © Extremis

LAB142-1